

STATE OF ILLINOIS
DEPARTMENT OF TRANSPORTATION



Creating Better Places®
221 West Jefferson Avenue
Naperville, Illinois 60540
T 630.961.1787
F 630.961.9925

PREPARED FOR
LR Contracting Company
737 North Michigan Ave.
Suite 300
Chicago, IL 60611

PROJECT
Orland Park Triangle - Phase 1
Orland Park, Illinois

PROJECT NUMBER
01-0733-001-x01-01-06

CONSULTANTS
FOUNTAIN TECHNOLOGIES
300 INDUSTRIAL LANE
WHEELING, IL 60090
TEL: (847) 537-3677
FAX: (847) 537-9904

ISSUED
FOR CONSTRUCTION
November 20, 2006

REVISIONS	No.	Date	Issue
	1	04-02-07	Revised Plans
	2	04-24-07	For Construction

DRAWN BY
BW / RH
CHECKED BY
BW

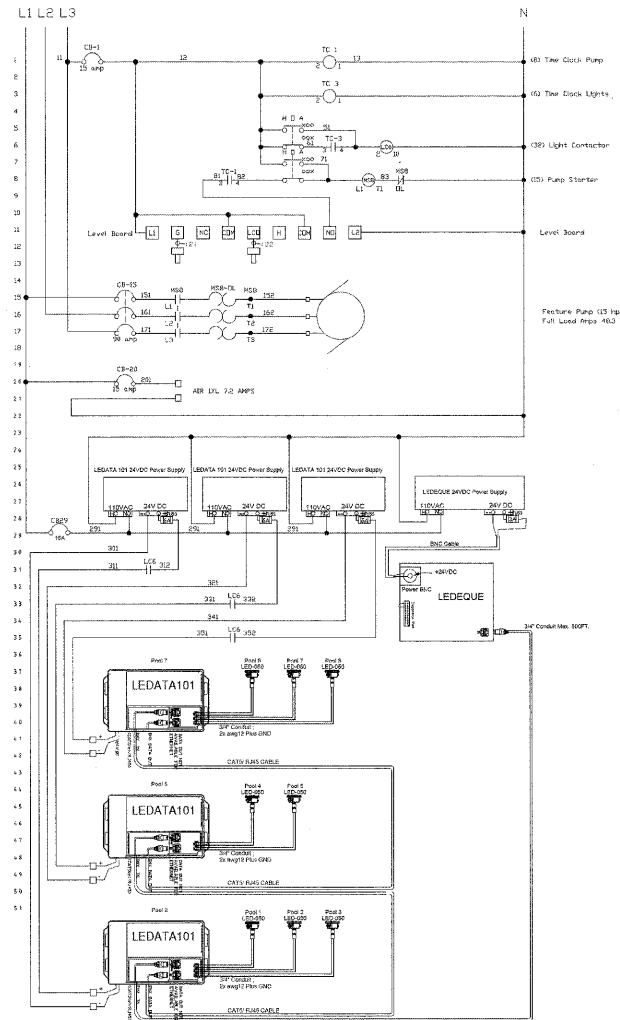
SHEET TITLE
WATER FEATURE DETAILS

SCALE IN FEET
as noted



SHEET NUMBER
FT-6

Fountain Technologies
Orland Park Triangle Water Feature
208 volt three phase 4 wire



DESIGNED	AMV
CHECKED	JCE
DRAWN	AMV
CHECKED	JCE

FOR INFORMATION ONLY

McDonough Associates Inc.
Engineers / Architects
130 East Randolph Street Chicago, Illinois 60601

SHEET NO. 18 23 SHEETS	F.A.P RTE. 330	SECTION 73 R-B	COUNTY COOK	TOTAL SHEETS 136	SHEET NO. 107
	CONTRACT NO. 60K64				
DATE: 12/17/10		ILLINOIS FED. AID PROJECT			

EXISTING WATER FEATURE DETAILS