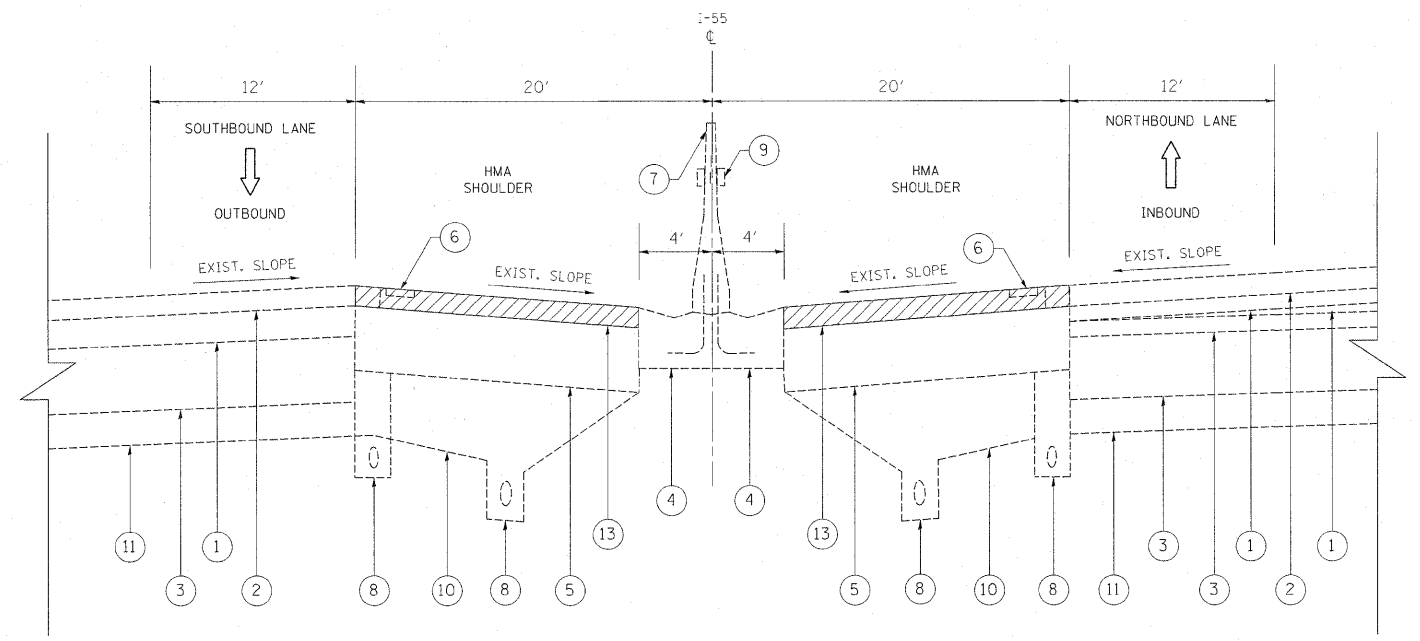


**EXISTING TYPICAL SECTION**  
 STA. 220+95 TO STA. 309+85  
 STA. 318+30 TO STA. 332+11  
 STA. 351+29 TO STA. 358+55  
 STA. 389+98 TO STA. 432+72

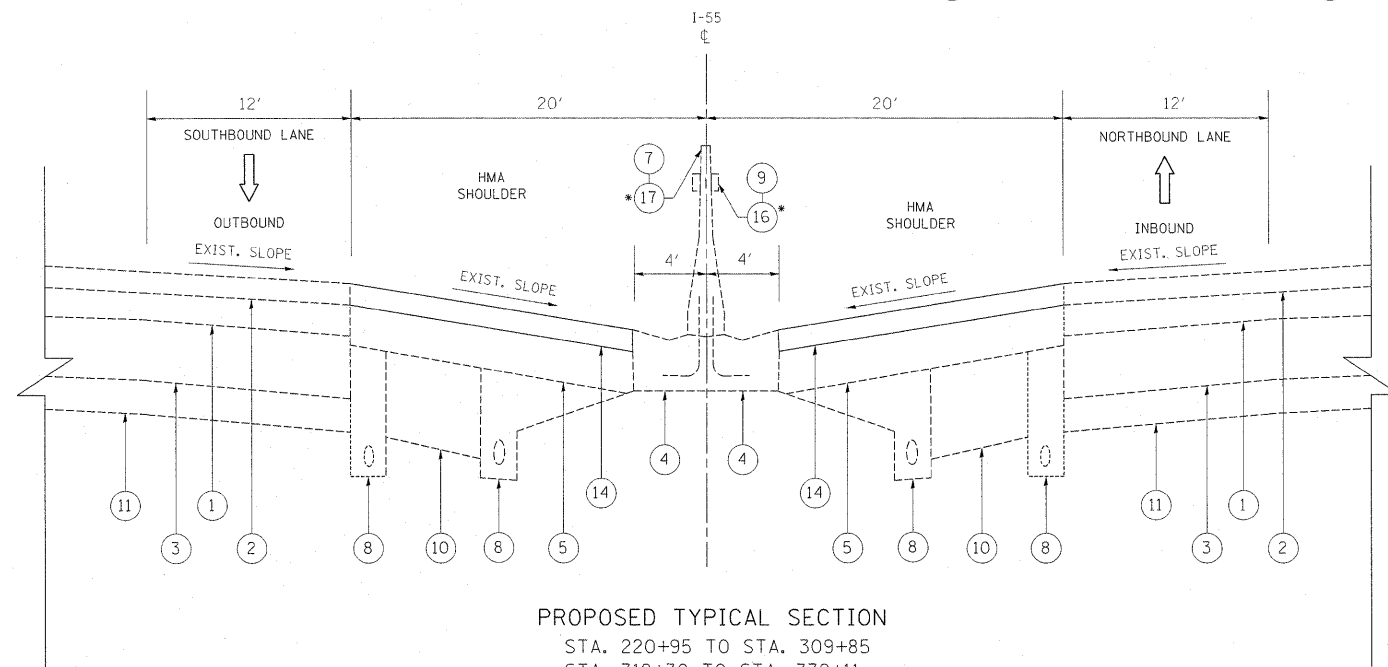


**EXISTING TYPICAL SECTION**  
 STA. 309+85 TO STA. 318+30  
 STA. 332+11 TO STA. 351+29

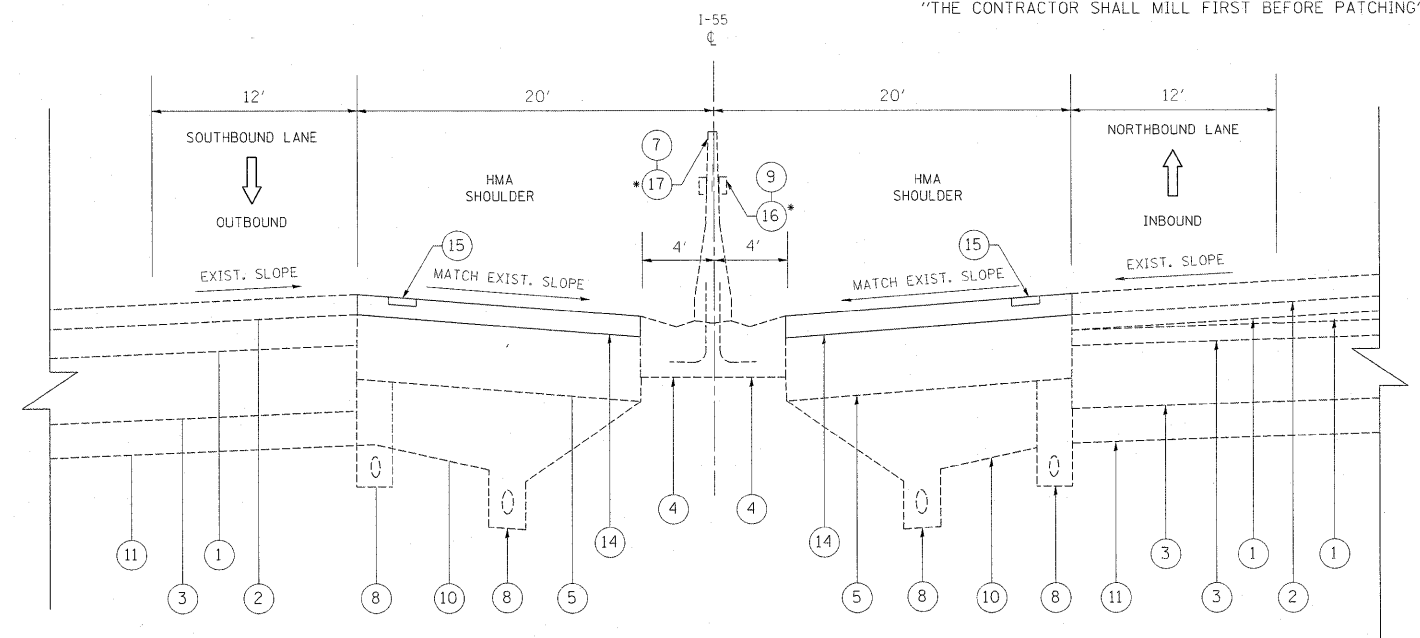
**LEGEND**

- ① EXISTING HMA SURFACING
- ② EXISTING POLY HMA SURFACE COURSE, SMA, CLASS I, 2"
- ③ EXISTING PCC PAVEMENT, 10"
- ④ EXISTING CONC. MEDIAN BASE COURSE, 10"
- ⑤ EXISTING HMA SHOULDER
- ⑥ EXISTING RUMBLE STRIP
- ⑦ EXISTING CONC BARRIER WALL DOUBLE FACE (2'-3" WIDE)
- ⑧ EXISTING PIPE UNDERDRAIN
- ⑨ EXISTING BARRIER WALL REFLECTORS TYPE B
- ⑩ EXISTING GRANULAR SUB-BASE
- ⑪ EXISTING SUB-BASE
- ⑫ EXISTING AGGREGATE SHOULDER, TYPE B

- ⑬ PROPOSED HMA SURFACE REMOVAL, 2"
  - ⑭ PROPOSED HMA SURFACE COURSE MIX "D", N70, 2"
  - ⑮ PROPOSED SHOULDER RUMBLE STRIPS
  - \* ⑯ PROPOSED BARRIER WALL REFLECTORS, TYPE B
  - \* ⑰ PROPOSED CONC BARRIER REMOVAL AND REPLACEMENT
  - ⑱ PROPOSED GRADING AND SHAPING SHOULDERS
  - ⑲ PROPOSED AGGREGATE WEDGE SHOULDER, TYPE B
- \* LOCATIONS TO BE DETERMINED BY THE FIELD ENGINEER  
 "THE CONTRACTOR SHALL MILL FIRST BEFORE PATCHING".



**PROPOSED TYPICAL SECTION**  
 STA. 220+95 TO STA. 309+85  
 STA. 318+30 TO STA. 332+11  
 STA. 351+29 TO STA. 358+55  
 STA. 389+98 TO STA. 432+72



**PROPOSED TYPICAL SECTION**  
 STA. 309+85 TO STA. 318+30  
 STA. 332+11 TO STA. 351+29

|  |                            |            |           |
|--|----------------------------|------------|-----------|
| FILE NAME =                                | USER NAME = galbenjr       | DESIGNED - | REVISED - |
| at:\pwork\pworkdot\galbenjr\vd\212968\0177 | 410-sht-plan.dgn           | DRAWN -    | REVISED - |
|  | PLOT SCALE = 5/8" = 1' IN. | CHECKED -  | REVISED - |
|  | PLOT DATE = 1/3/2011       | DATE -     | REVISED - |

**STATE OF ILLINOIS  
 DEPARTMENT OF TRANSPORTATION**

**I-55 EXPRESSWAY  
 EXISTING AND PROPOSED TYPICAL SECTION**

| F.A.I. RTE.               | SECTION     | COUNTY      | TOTAL SHEETS | SHEET NO. |
|---------------------------|-------------|-------------|--------------|-----------|
| 55                        | 2010-079-RS | COOK/DUPAGE | 96           | 5         |
| CONTRACT NO. 60L67        |             |             |              |           |
| ILLINOIS FED. AID PROJECT |             |             |              |           |

SCALE: SHEET NO. OF SHEETS STA. TO STA.