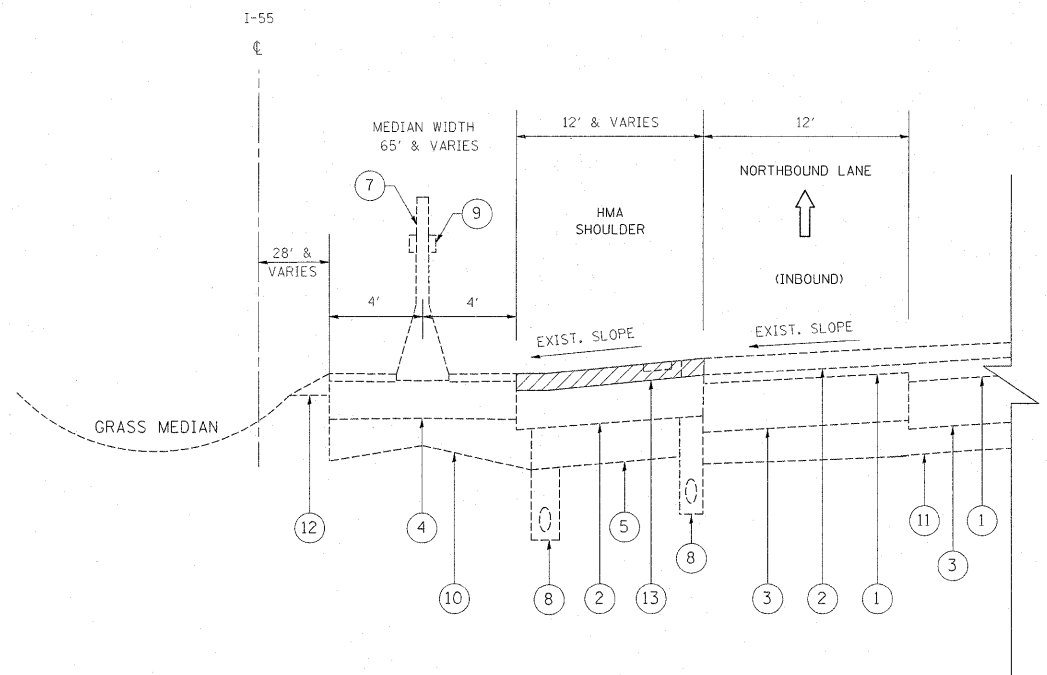


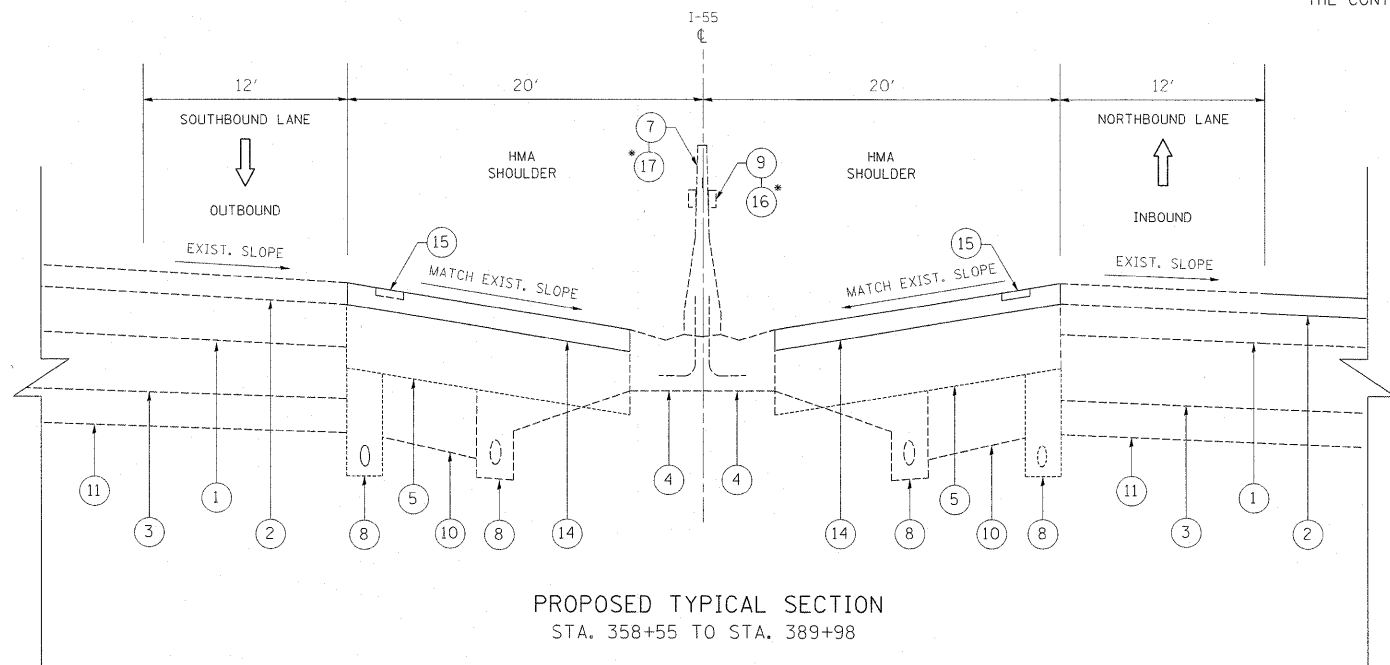
EXISTING TYPICAL SECTION  
STA. 358+55 TO STA. 389+98



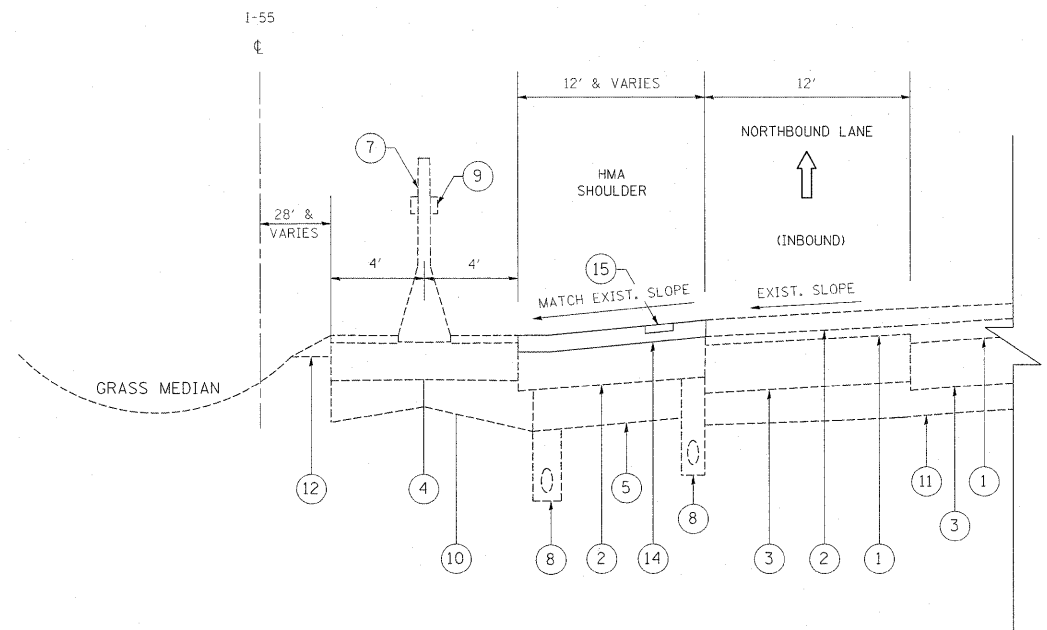
EXISTING TYPICAL SECTION  
STA. 432+72 TO STA. 437+80

**LEGEND**

- |  |   |   |
|--|---|---|
| ① EXISTING HMA SURFACING                             | ⑦ EXISTING CONC BARRIER WALL DOUBLE FACE (2'-3" WIDE) | ⑬ PROPOSED HMA SURFACE REMOVAL, 2"                |
| ② EXISTING POLY HMA SURFACE COURSE, SMA, CLASS 1, 2" | ⑧ EXISTING PIPE UNDERDRAIN                            | ⑭ PROPOSED HMA SURFACE COURSE MIX "D", N70, 2"    |
| ③ EXISTING PCC PAVEMENT, 10"                         | ⑨ EXISTING BARRIER WALL REFLECTORS TYPE B             | ⑮ PROPOSED SHOULDER RUMBLE STRIPS                 |
| ④ EXISTING CONC. MEDIAN BASE COURSE, 10"             | ⑩ EXISTING GRANULAR SUB-BASE                          | * ⑯ PROPOSED BARRIER WALL REFLECTORS, TYPE B      |
| ⑤ EXISTING HMA SHOULDER                              | ⑪ EXISTING SUB-BASE                                   | * ⑰ PROPOSED CONC BARRIER REMOVAL AND REPLACEMENT |
| ⑥ EXISTING RUMBLE STRIP                              | ⑫ EXISTING AGGREGATE SHOULDER, TYPE B                 | ⑱ PROPOSED GRADING AND SHAPING SHOULDERS          |
|  |   | ⑲ PROPOSED AGGREGATE WEDGE SHOULDER, TYPE B       |
- \* LOCATIONS TO BE DETERMINED BY THE FIELD ENGINEER  
"THE CONTRACTOR SHALL MILL FIRST BEFORE PATCHING".



PROPOSED TYPICAL SECTION  
STA. 358+55 TO STA. 389+98



PROPOSED TYPICAL SECTION  
STA. 432+72 TO STA. 437+80

FILE NAME =	USER NAME = galbanjr	DESIGNED -	REVISED -	<b>STATE OF ILLINOIS DEPARTMENT OF TRANSPORTATION</b>	<b>I-55 EXPRESSWAY EXISTING AND PROPOSED TYPICAL SECTION</b>	F.A.I. RTE.	SECTION	COUNTY	TOTAL SHEETS	SHEET NO.	
c:\pwwork\pwwork\galbanjr\d0212968\0177410-shr-plen.dgn		DRAWN -	REVISED -			55	2010-079-RS	COOK/DUPAGE	96	6	
PLOT SCALE = 5/8" = 1' IN.		CHECKED -	REVISED -			CONTRACT NO. 60L67					
PLOT DATE = 1/3/2011		DATE -	REVISED -			ILLINOIS FED. AID PROJECT					
SCALE:						SHEET NO. OF SHEETS		STA. TO STA.			