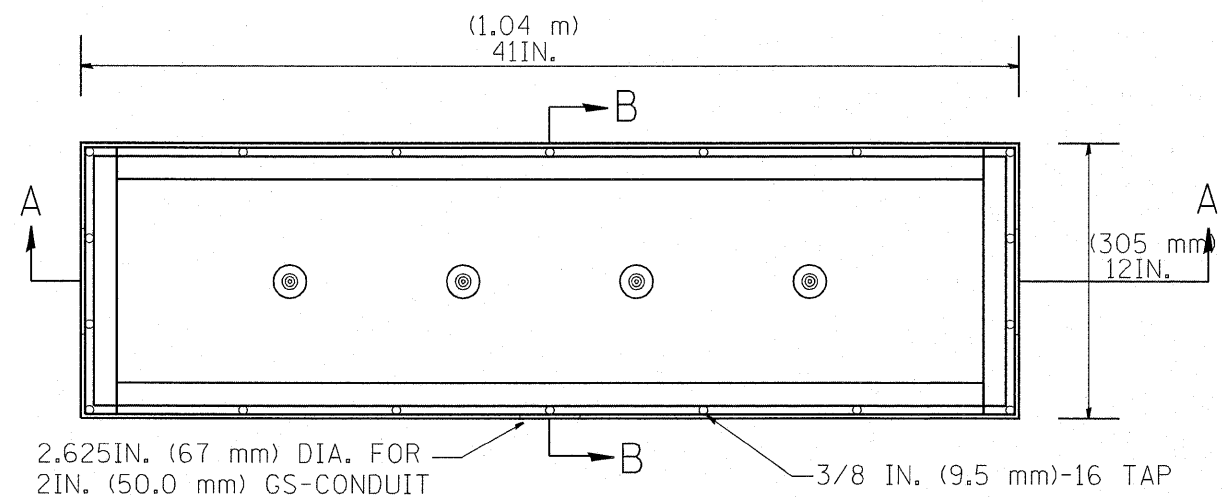


DRILL AND COUNTERSINK TOP OF COVER FOR
 3/8" (9.5 mm) 16 X 3/4" (19 mm)
 FLAT HEAD STAINLESS STEEL SLOTTED SCREWS

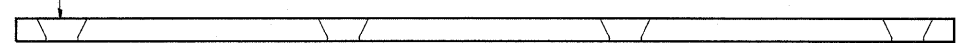
BACK VIEW

STAINLESS STEEL COVER WITH NEOPRENE GASKET



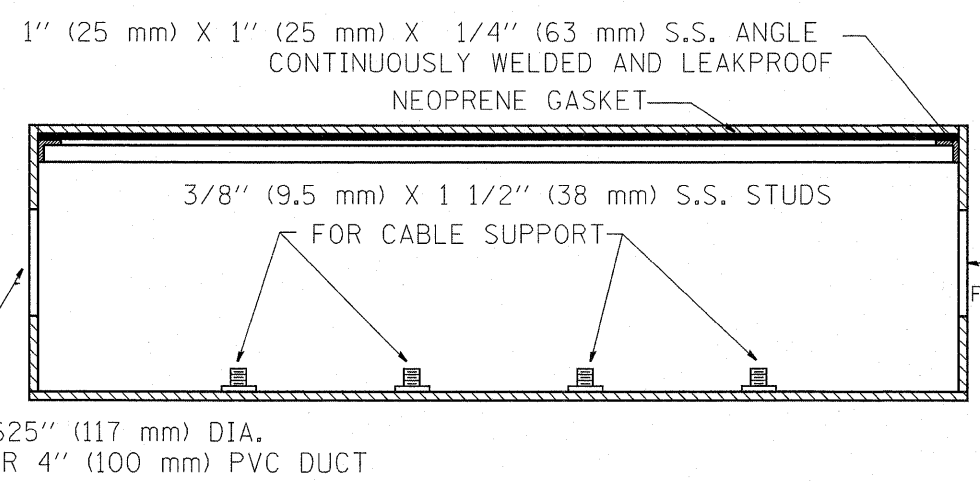
TOP VIEW

STAINLESS STEEL JUNCTION BOX TYPE "J"

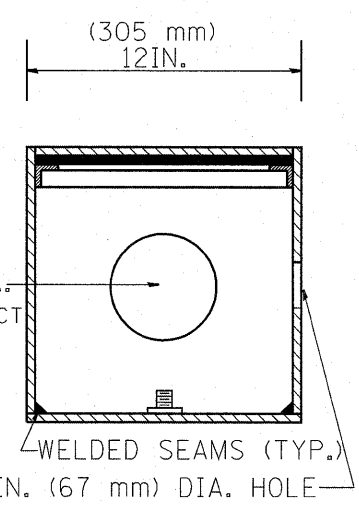


SIDE VIEW

STAINLESS STEEL COVER



SIDE VIEW SECTION A-A



SIDE VIEW SECTION B-B

NOTE:

JUNCTION BOX TO BE CONSTRUCTED OF
 1/4 IN. (6.3 mm) TYPE 316 STAINLESS STEEL
 ALL WELDS SHALL BE CONTINUOUS AND LEAKPROOF
 ALL COVERS SHALL BE UNIVERSAL IN FIT.

BARRIER WALL SHALL BE GAPPED A MINIMUM OF 15FT. (4.57 m) FOR PROPER PLACEMENT OF JUNCTION BOX TYPE "J" AND FOR A SMOOTH TRANSITION OF 4IN. (100 mm) PVC SURVEILLANCE DUCT(S) FROM BARRIER WALL FOOTER INTO JUNCTION BOX.

FILE NAME = C:\Projects\TSC\TYPICALS\TSC\TYP08.dgn	USER NAME = mazog	DESIGNED - R.L.	REVISED - 05/94	STATE OF ILLINOIS DEPARTMENT OF TRANSPORTATION TRAFFIC SYSTEMS CENTER	CONCRETE BARRIER WALL JUNCTION BOX TYPE "J"			* COOK / DUPAGE				
		DRAWN - G.M.	REVISED - 10/96		SCALE: NONE	SHEET NO. OF SHEETS	STA. TO STA.	F.A.I. RTE. 55	SECTION 2010-079-RS	COUNTY *	TOTAL SHEETS 96	SHEET NO. 63
		CHECKED - R.L.	REVISED -									
		DATE - 08/22/94	REVISED -									