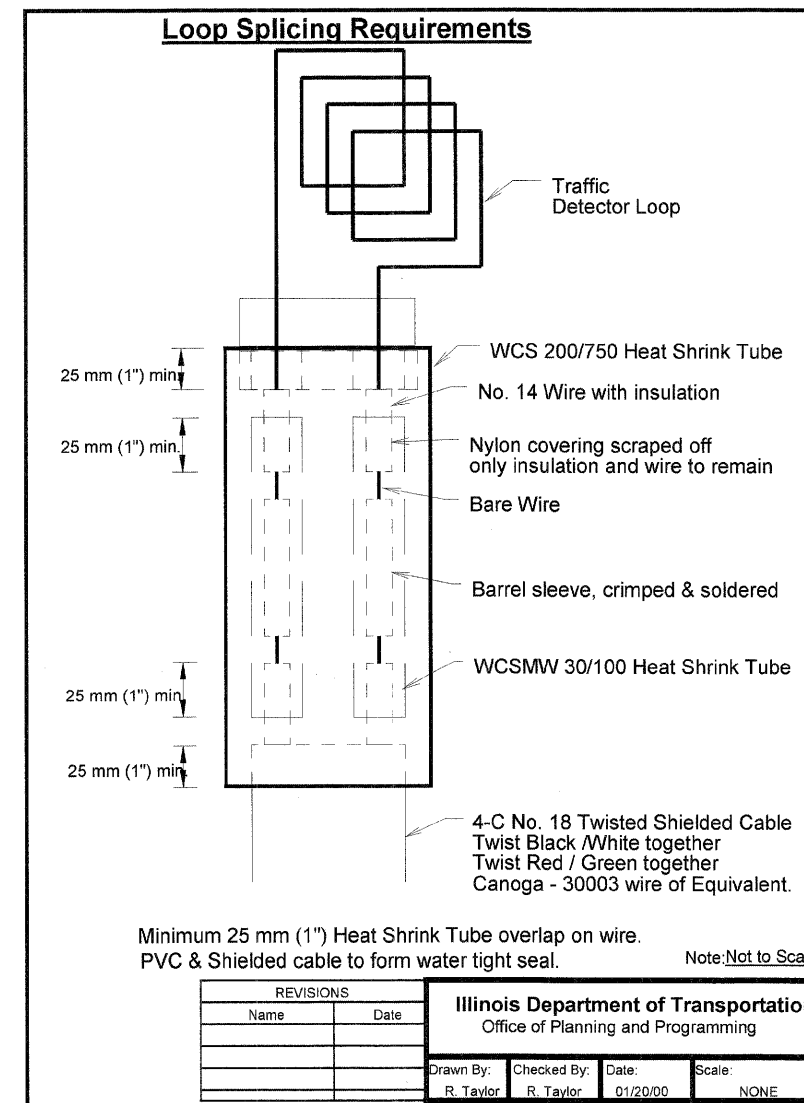
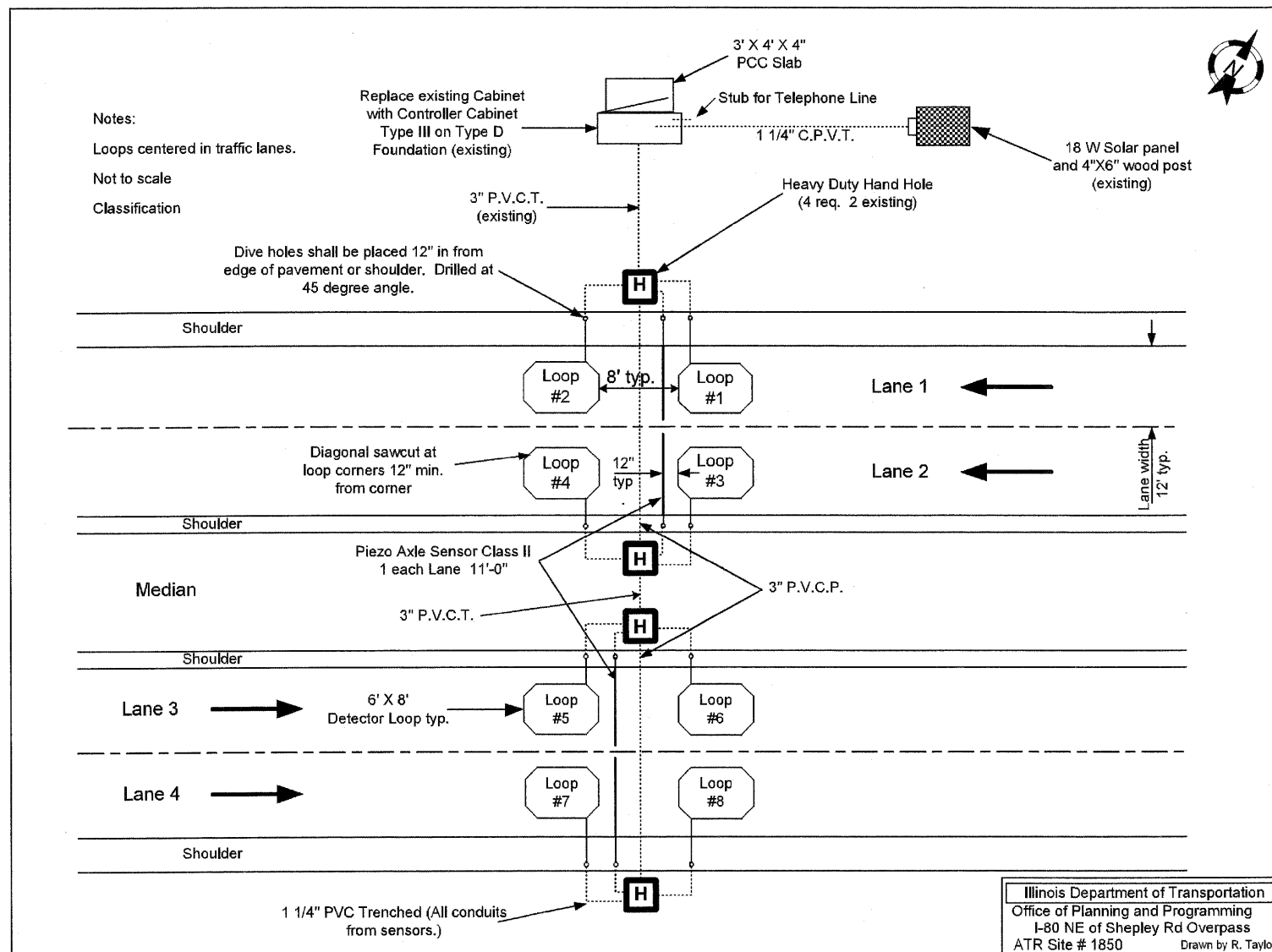
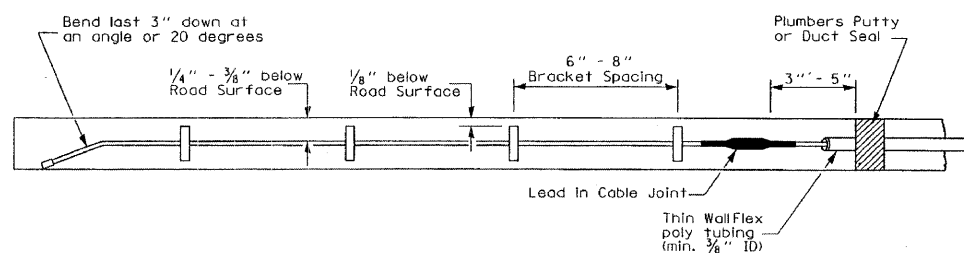


# Layout for ATR 1850 I-80 NE of Shepley Rd Overpass



### PIEZO DETAIL (PROVIDED BY IDOT)



USER NAME = lsupencheck	DESIGNED -	REVISED -	<b>HBP</b> Illinois Partners	<b>STATE OF ILLINOIS DEPARTMENT OF TRANSPORTATION</b>	<b>TRAFFIC SENSOR DETAIL - ATR SITE 1850</b>			F.A.I. RTE. 80	SECTION 99-1-RS-4	COUNTY WILL	TOTAL SHEETS 116	SHEET NO. 31	
PLOT SCALE = 12.5:1	DRAWN -	REVISED -			SCALE: 1"=50'	SHEET NO. 1 OF 1 SHEETS	STA. N/A TO STA. N/A	FED. ROAD DIST. NO. 1 ILLINOIS FED. AID PROJECT		CONTRACT NO. 60M63			
PLOT DATE = 20-JAN-2011	CHECKED -	REVISED -											
FILE NAME = TP_PWPdms34562\1160M63-shd-detail.02.dgn	DATE = 01/21/2011	REVISED -											