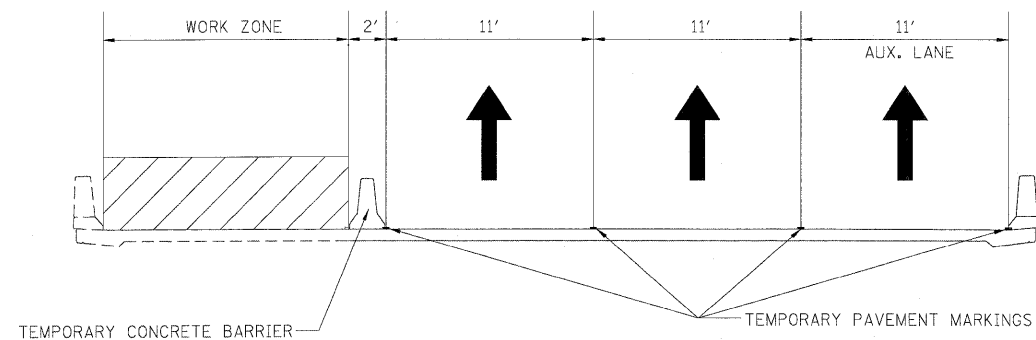
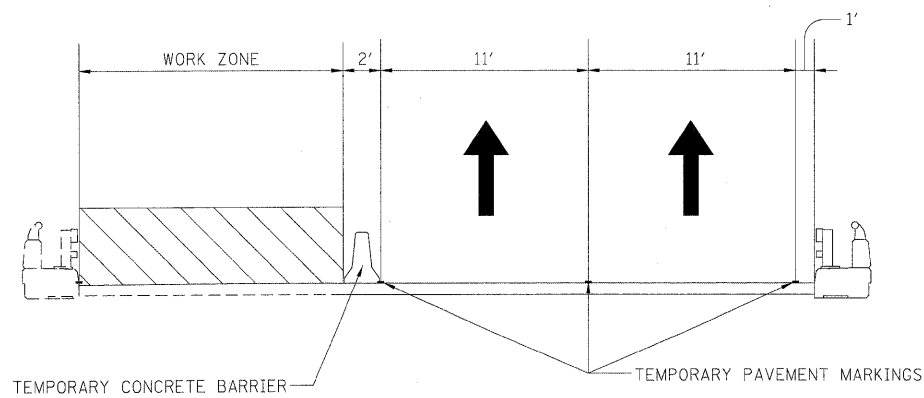


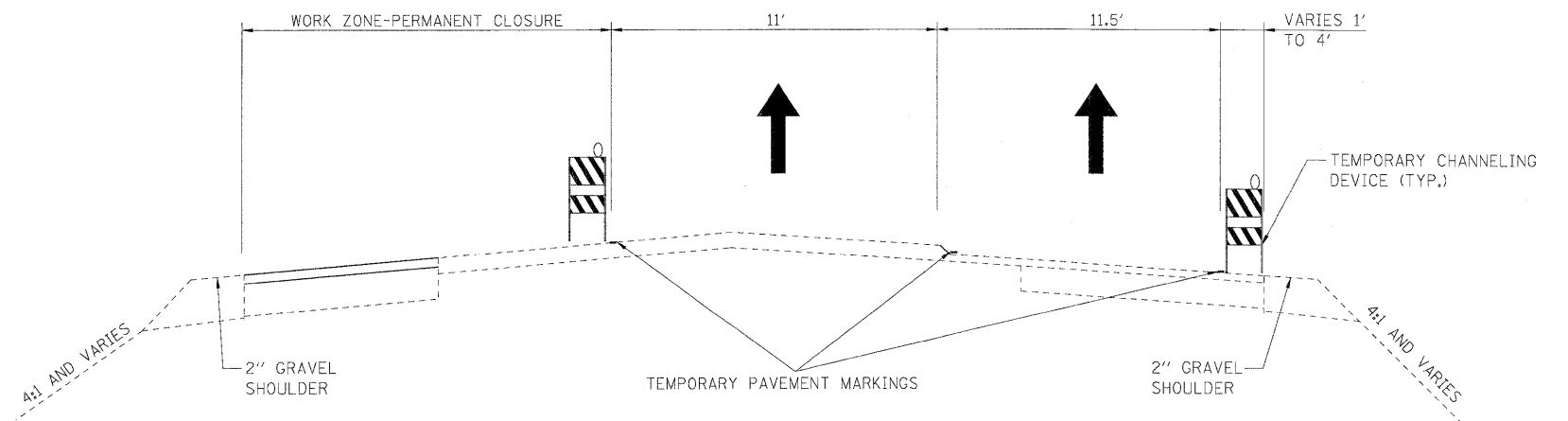
STAGE 3 CONSTRUCTION FOR EB I-80 OVER FRONTAGE ROAD
LOOKING EAST



STAGE 3 CONSTRUCTION FOR EB I-80 OVER I-55
LOOKING EAST



STAGE 3 CONSTRUCTION FOR EB I-80 OVER ROCK RUN CREEK
LOOKING EAST



STAGE 3 PERMANENT CLOSURE
LOOKING EAST

USER NAME = dcrnkavich	DESIGNED - LLS/JG	REVISED -
PLOT SCALE = 1/8"=1'	DRAWN - PMS/DC	REVISED -
PLOT DATE = 20-JAN-2011	CHECKED - JAL	REVISED -
	DATE - 01/21/2011	REVISED -



STATE OF ILLINOIS
DEPARTMENT OF TRANSPORTATION

MAINTENANCE OF TRAFFIC - STAGE 3
TYPICAL SECTIONS

SCALE: N.T.S. SHEET NO. 1 OF 1 SHEETS STA. N/A TO STA. N/A

F.A.I. RTE.	SECTION	COUNTY	TOTAL SHEETS	SHEET NO.
80	99-1-RS-4	WILL	116	46
FED. ROAD DIST. NO. 1 ILLINOIS FED. AID PROJECT				