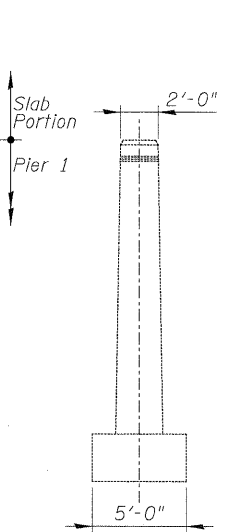
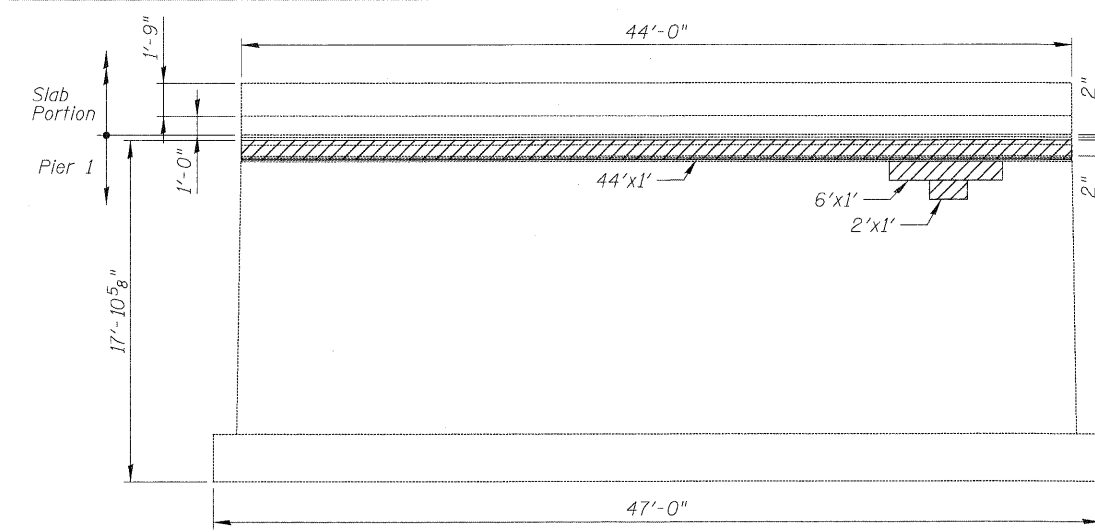


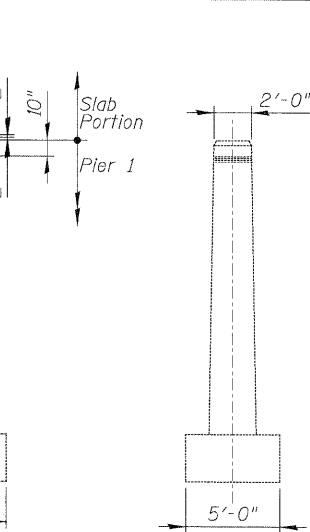
PIER 1 - WEST ELEVATION
(Looking East)



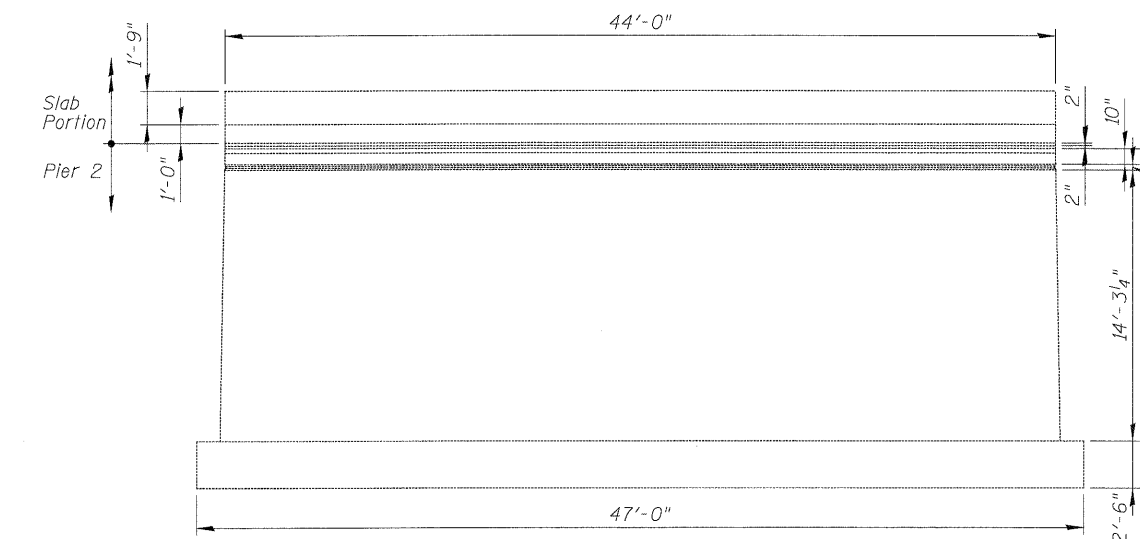
PIER 1 - END VIEW
(Looking North)



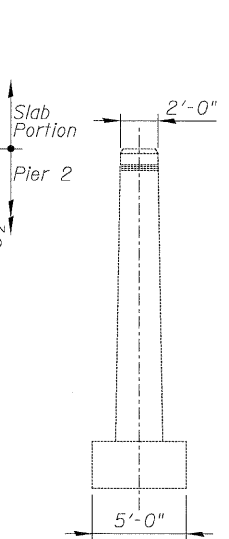
PIER 1 - EAST ELEVATION
(Looking West)



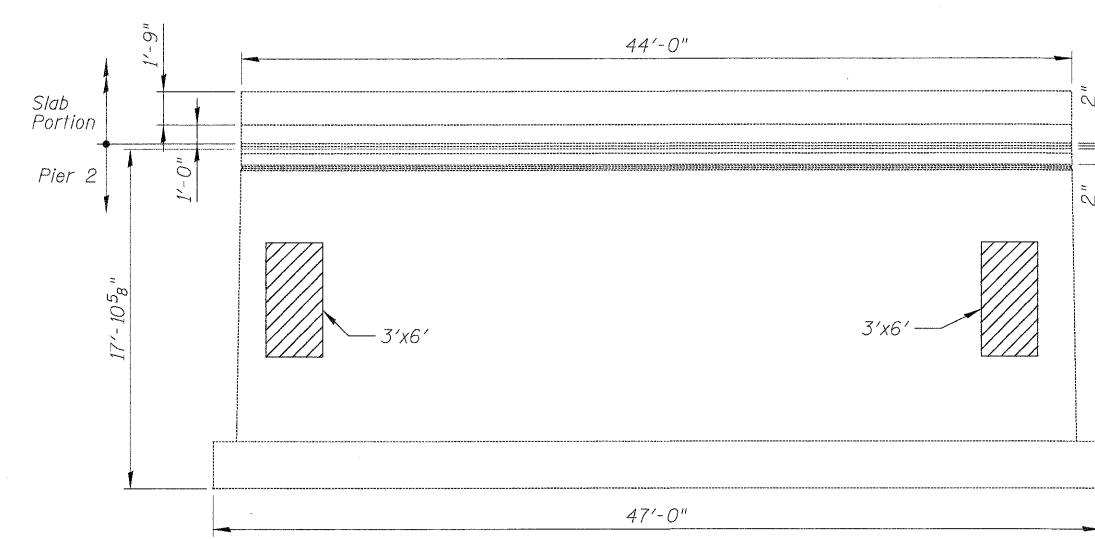
PIER 1 - END VIEW
(Looking South)



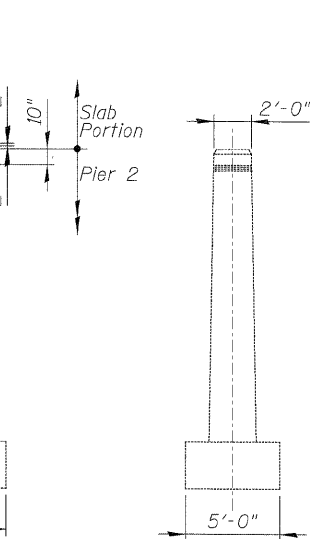
PIER 2 - WEST ELEVATION
(Looking East)



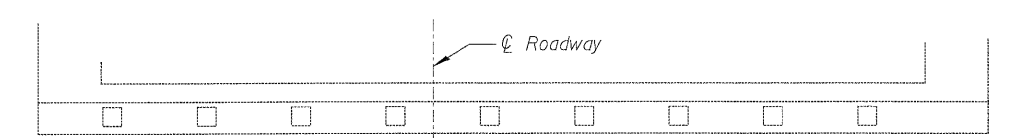
PIER 2 - END VIEW
(Looking North)



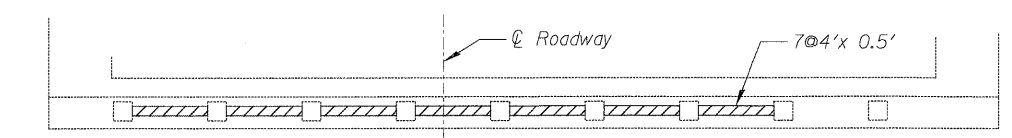
PIER 2 - EAST ELEVATION
(Looking West)



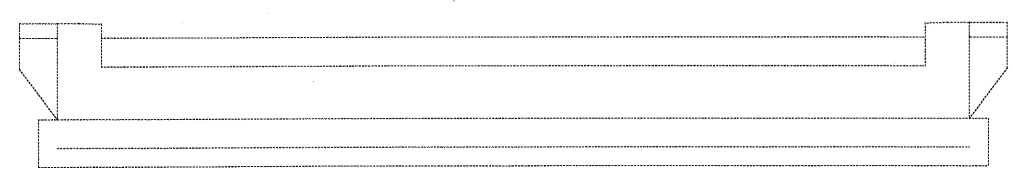
PIER 2 - END VIEW
(Looking South)



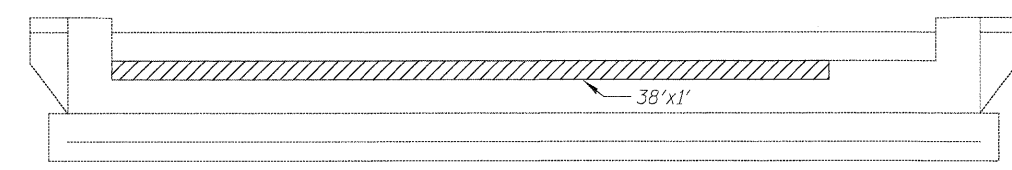
WEST ABUTMENT - PLAN



EAST ABUTMENT - PLAN



WEST ABUTMENT - ELEVATION
(Looking West)



EAST ABUTMENT - ELEVATION
(Looking East)

NOTES
1. Contractor shall take precautions during removal operation and repair only one face of pier at a time.

BILL OF MATERIAL

ITEM	UNIT	TOTAL
Structural Repair Of Concrete (Depth Equal To Or Less Than 5 inches)	Sq.Ft.	198

LEGEND:
 Structural Repair of Concrete (Depth < 5")