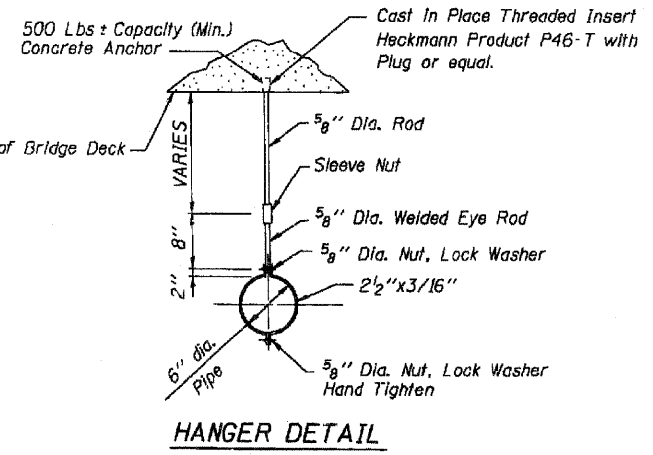
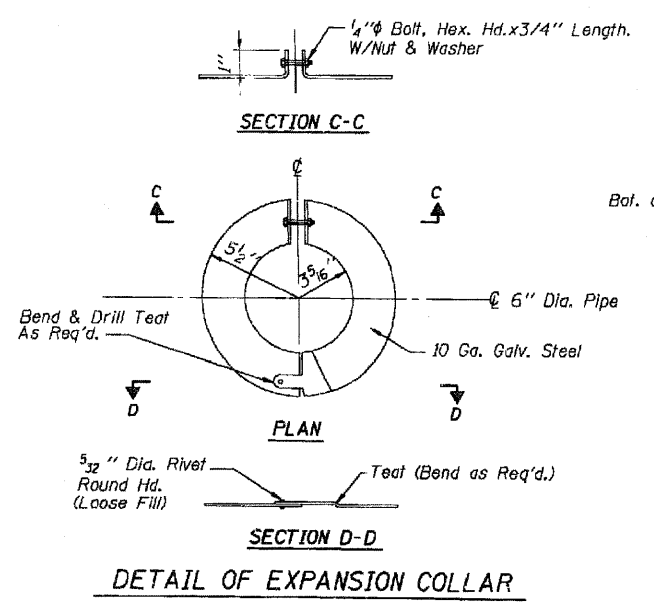


NOTE: EACH PIPE SUPPORT SHOULD BE LOCATED BELOW A COUPLING OR OTHER FILLING SO THAT THE SHOULDER AT THE COUPLING BEARS ON THE PIPE SUPPORT.



FOR INFORMATION ONLY

BILL OF MATERIAL

ITEM	UNIT	ESTIMATED QUANTITIES
SCUPPERS	EACH	4
BRIDGE DRAINAGE SYSTEM	L. SUM	1

NOTE: COST OF FURNISHING AND INSTALLING DRAIN PIPE, FITTINGS, ELBOWS, PLATES AND MOUNTING HARDWARE NECESSARY TO INSTALL THE BRIDGE DRAINAGE SYSTEM SHALL BE PAID FOR AT THE CONTRACT LUMP SUM PRICE FOR BRIDGE DRAINAGE SYSTEM.

NOTES:

- ALL DRAIN PIPES AND FITTINGS SHALL BE FIBERGLASS CONFORMING TO ASTM D2996 RTRP OR ASTM D2997 RTRP WITH SHORT TERM RUPTURE STRENGTH HOOP TENSILE STRESS OF 30,000 PSI MINIMUM. THE SURFACE OF FIBERGLASS PIPE SHALL BE FREE OF BOND INHIBITING AGENTS.
- ALL PIPE HANGERS, SUPPORTS AND HARDWARE SHALL BE GALVANIZED BY THE HOT-DIP PROCESS. THE ZINC COATING SHALL CONFORM TO THE REQUIREMENTS OF ASTM A12 J.
- ALL EXTERIOR SURFACES OF THE FLOOR DRAINS SHALL BE PAINTED WITH THE INTERMEDIATE COAT AND TOP COAT SPECIFIED FOR STRUCTURAL STEEL IN SECTION 509 OF THE STANDARD SPECIFICATIONS EXCEPT THAT THE COLOR SHALL BE MUNSELL NO. 7.5 G4/8 INTERSTATE GREEN. FIBERGLASS TO HAVE PREWASH AS PER MIL-P-15328 B PRIOR TO PAINTING.
- PIPE HANGERS SHALL BE PROVIDED ON ALL HORIZONTAL PIPES AT EACH TEE, ELBOW, OR CHANGE IN DIRECTION AND AT INTERMEDIATE POINTS NOT MORE THAN 5'-0" ON CENTERS.
- THE CONTRACTOR MAY USE ALTERNATE PIPE HANGERS. THE PIPE HANGERS SHALL HAVE A LOAD CAPACITY OF NOT LESS THAN 500 LBS. AND SHALL BE DESIGNED SO AS NOT TO APPLY EXCESSIVE COMPRESSIVE STRESS TO THE PIPE. ALTERNATE PIPE HANGER DESIGNS MUST BE APPROVED BY THE ENGINEER PRIOR TO THEIR USE.
- DRAINS SHALL BE LOCATED CLEAR OF ALL CROSS FRAMES.
- WORK THIS SHEET WITH SHT. S-1, S-4, S-5, S-22, S-23 & R-35

Designed by
FLUOR DANIEL
JOB NO. 032500 Chicago, Illinois 60606
DRAWN BY: [blank] APPROVED: [blank]
CHECKED BY: [blank] SCALE: NONE DATE: 1-8-12-12

REVISIONS	
NAME	DATE

DECK DRAINAGE DETAILS

STATE OF ILLINOIS
DEPARTMENT OF TRANSPORTATION
SECTION 99-2 (K & HB-1-R)
FAI-80 OVER HOUBOLT RD. (FAU-0325)
9N 099-0301 E.B. AND 099-0302 W.B.
PHASE II
WILL COUNTY

USER NAME = Itueller	DESIGNED - DF	REVISED -
PLOT SCALE = NTS	DRAWN - LAM	REVISED -
PLOT DATE = 1/7/2011 4:47:20 PM	CHECKED - BLU	REVISED -
	DATE - 01/21/2011	REVISED -



STATE OF ILLINOIS
DEPARTMENT OF TRANSPORTATION

FOR INFORMATION ONLY - EXISTING DRAINAGE SYSTEM DETAILS
EASTBOUND FAI-80 OVER HOUBOLT ROAD
STRUCTURE NO. 099-0301
SHEET NO. S-2 OF 5-3 SHEETS

FAI RTE	SECTION	COUNTY	TOTAL SHEETS	SHEET NO.
80	99-1-RS-4	WILL	116	96
FED. ROAD DIST. NO.			ILLINOIS FED. AID PROJECT	
			CONTRACT NO. 60M63	