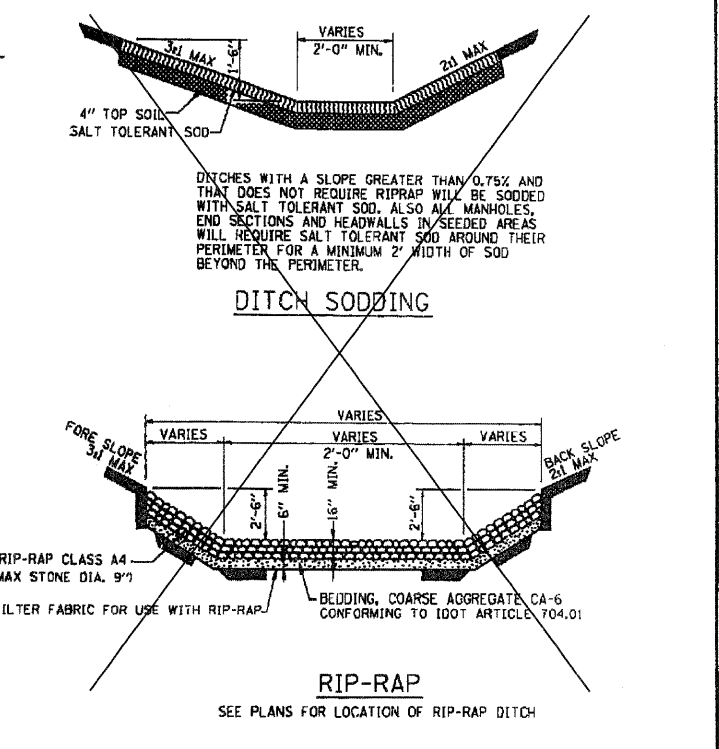
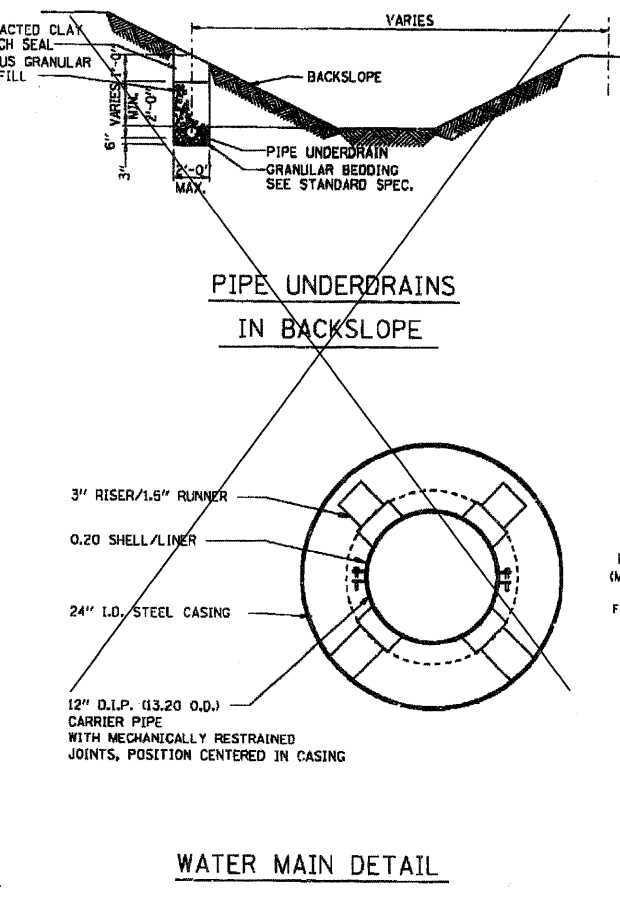
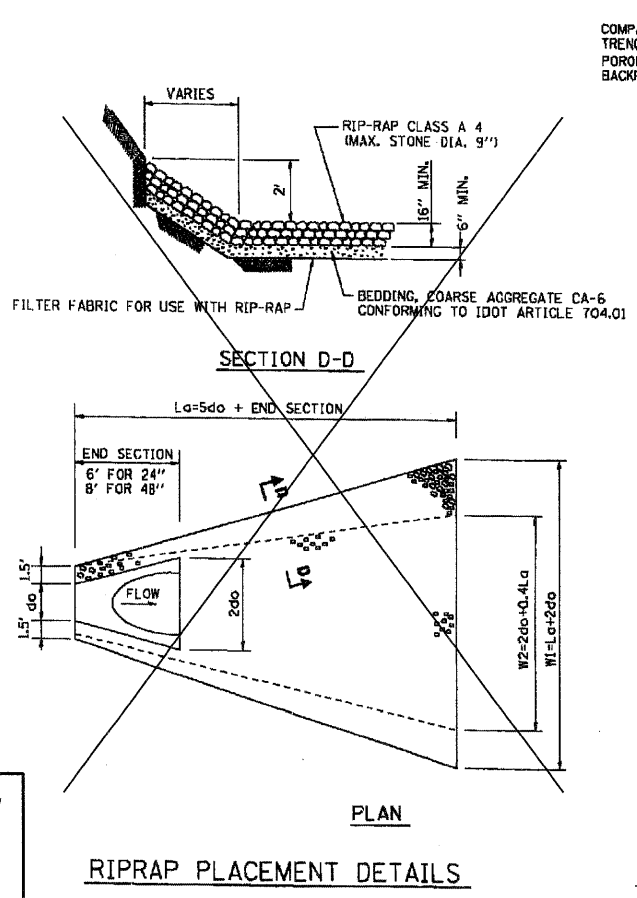
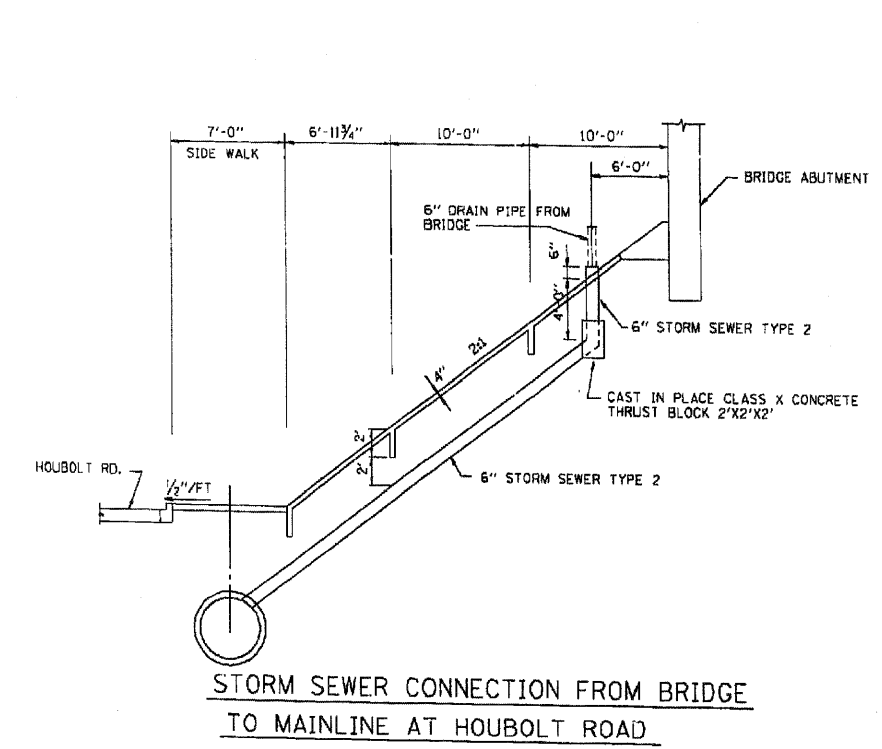


END SECTION NO.	LOCATION	PIPE SIZE	d ₀	L _a	W ₁	W ₂
96	STA. 169+65 S.K. RT.	24"	2.0'	16'	20'	10.4'
94	STA. 168+75 47' LT.	24"	2.0'	16'	20'	10.4'
1A	STA. 498+00 MOUND RD. 32' RT.	24"	2.0'	16'	20'	10.4'
2	STA. 158+40 0+00, 150' RT.	24"	2.0'	16'	20'	10.4'
51B	STA. 2400 RAMP A, 58' LT.	24"	2.0'	16'	20'	10.4'
52B	STA. 15+00 RAMP B, 58' RT.	24"	2.0'	16'	20'	10.4'
54	STA. 142+20 87' RT.	24"	2.0'	16'	20'	10.4'
80	STA. 508+27 MOUND RD, 58' RT.	42"	3.5'	17.5'	27.5'	14.5'
88	STA. 506+73 MOUND RD, 42' RT.	48"	4.0'	28'	36'	18.2'

STRUCT. NO.	* STATION (OFFSET)	RESTRICTOR TYPE	INSIDE RESTRICTOR DIAMETER d (in)	INV. EL. RESTRICTOR HOLE	ELEVATION OF TOP OF PLATE (OVERFLOW)	INLET PIPE DIAMETER	OUTLET PIPE DIAMETER
21B	112+00 (40'LT)	RE-ENRANT TUBE	7"	592.52	596.41	42"	42"
58	144+05 (40'LT)	RE-ENRANT TUBE	7"	577.27	580.00	30"	30"
59	144+00 (40'RT)	RE-ENRANT TUBE	7"	578.49	582.00	21"	21"
64	155+60 (40'RT)	RE-ENRANT TUBE	8"	576.13	579.41	21"	21"
67	155+90 (40'LT)	RE-ENRANT TUBE	9"	575.04	578.00	30"	30"
71	156+45 (40'LT)	RE-ENRANT TUBE	10"	572.52	576.50	24"	24"
85	15+83 (25'LT) RAMP D	RE-ENRANT TUBE	9"	573.48	576.50	24"	24"
79	161+00 (40'LT)	RCP	12"	564.00	**	12"	42"
88	506+73 (20'RT) MOUND ROAD	RE-ENRANT TUBE	8"	561.90	568.00	48"	48"
80	508+20 (15'RT)	RE-ENRANT TUBE	11"	561.12	569.00	42"	42"
94	168+08 (62'LT)	RE-ENRANT TUBE	16"	537.83	542.00	24"	24"
96	168+08 (65'RT)	RE-ENRANT TUBE	18"	537.93	541.50	24"	24"

DRAINAGE CONTROL STRUCTURE, MANHOLES, TYPE A, 6'-DIAMETER TYPE 1 FRAME, CLOSED LID, RESTRICTOR PLATE

* STATIONING IS RELATIVE TO HOUBOLT ROAD UNLESS OTHERWISE NOTED.
** OVERFLOW PROVIDED BY 24" DIAMETER RCP WITH AN INVERT ELEVATION 569.00



FOR INFORMATION ONLY

Designed by
FLUOR DANIEL
JDD No. 858100 Chicago, Ill. 60646
DWI C.F. (APPROVED)
KOROSKI, M.S. (CHECKED)
DEWITT, D.A. (DESIGNED)
SCALE: 1" = 10' TO SCALE
DATE: 1-27-12

REVISIONS	
NAME	DATE

DRAINAGE AND WATER MAIN DETAILS

STATE OF ILLINOIS
DEPARTMENT OF TRANSPORTATION
FAI-80 OVER HOUBOLT RD. (FAU-0325)
SN 099-0301 E.B. AND 099-0302 W.B.
PHASE II
WILL COUNTY