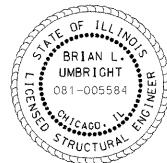


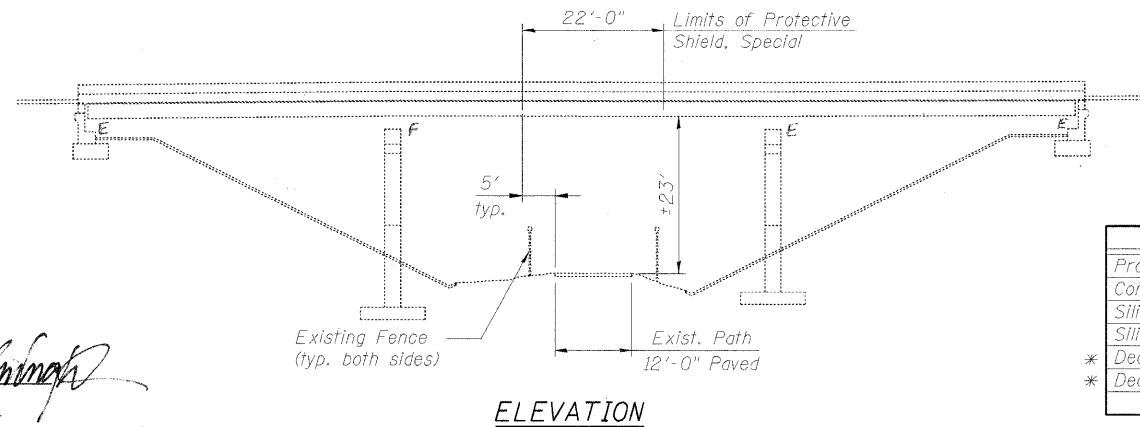
Existing Structures: S.N. 099-0048 carrying I-80 Eastbound over Joliet Junction Trail (Abandoned RR) was originally constructed in 1964 as FAI Route 80, Section 99-2VB. The structure consists of a three-span continuous wide flange beam and reinforced concrete deck superstructure supported by concrete stub abutments and multi column piers. The skew is 18°47'28" forward left. The deck was repaired in 1992 and 2001.

Stage construction shall be utilized to maintain traffic during construction.

No salvage.



SIGNED: *Brian L. Umbright*  
 DATE: JAN. 17, 2012  
 EXPIRES: November 30, 2012



**INDEX OF SHEETS**

1. General Plan, Notes & Total Bill of Material
2. Construction Staging
3. Deck and Joint Repair Details
4. Protective Shield, Special
5. Temporary Concrete Barrier for Stage Construction

**SCOPE OF WORK**

1. Install permanent protective shielding system.
2. Deck Slab Repair (full and partial depth).
3. Remove preformed joint seals and replace with silicone joint sealer.
4. Apply concrete sealer to bridge deck and face of curbs.

**DESIGN SPECIFICATIONS**

2002 AASHTO Standard Specifications for Highway Bridges, 17th Edition

**DESIGN STRESSES**

$f'_c = 3,500$  psi

**TOTAL BILL OF MATERIAL**

ITEM	UNIT	SUPER	SUB	TOTAL
Protective Shield, (Permanent)	Sq. Yd.	80	-	80
Concrete Sealer	Sq. Ft.	5,200	-	5,200
Silicone Joint Sealer 1 <sup>3</sup> / <sub>4</sub> "	Foot	40	-	40
Silicone Joint Sealer 2 <sup>3</sup> / <sub>4</sub> "	Foot	40	-	40
* Deck Slab Repair (Full Depth, Type II)	Sq. Yd.	9	-	9
* Deck Slab Repair (Partial)	Sq. Yd.	71	-	71

\* Work shall be performed in accordance with Special Provision Deck Slab Repair (Special).

**GENERAL NOTES**

1. Reinforcement bars shall conform to the requirements of ASTM A 706 Grade 60. See Special Provisions.
2. Protective Shield, Special shall be installed in Span 2 as shown in the plans and shall be installed prior to start of deck slab repair work.
3. Concrete Sealer shall be applied to the bridge deck and face of curbs. All surfaces to be sealed should be thoroughly cleaned prior to sealer application. Cost of cleaning is included with Concrete Sealer, see Special Provisions.
4. Plan dimensions and details relative to existing plans are subject to nominal construction variations. The Contractor shall field verify existing dimensions and details affecting new construction and make necessary approved adjustments prior to construction or ordering of materials. Such variations shall not be cause for additional compensation for a change in scope of the work, however, the Contractor will be paid for the quantity actually furnished at the unit price bid for the work.
5. Areas of proposed deck repairs are estimated. Actual type, location and dimension of deck repairs are to be determined by the Engineer during construction.
6. The Contractor shall note that protective shielding is currently in place over portions of the path at each outside beam bay. The total estimated quantity of existing protective shield is 30 sq. yd., and is not included in the contract quantity. The Contractor may maintain or adjust, as required, the existing protective shielding to meet the requirements of the Special Provision. If the Contractor elects not to re-use existing shielding it shall be removed and properly disposed of by the Contractor. The cost of maintaining, adjusting or removal and disposal of the existing protective shield shall be included in the cost of Protective Shield, Special.

7. The Contractor shall obtain a permit from the Forest Preserve District of Will County for access to the structure or placement of materials and equipment requiring the use of the path (Joliet Junction Trail) underneath the structure. The cost of the permit and other requirements dictated by the District will not be paid for separately, but shall be included in the cost of the various items of work. The Contractor shall contact the Forest Preserve District of Will County prior to starting any work at:

Forest Preserve District of Will County  
 Attn: Deborah Specht  
 Real Estate Manager  
 17540 W. Laraway Road  
 Joliet, IL 60433  
 (815) 722-5471

8. Existing pavement markings shall be temporarily covered prior to application of the deck surface treatment, to prevent the material from being applied to the markings. The temporary covering shall be removed after application of the deck surface treatment and prior to opening to traffic. Cost included with Concrete Sealer.

