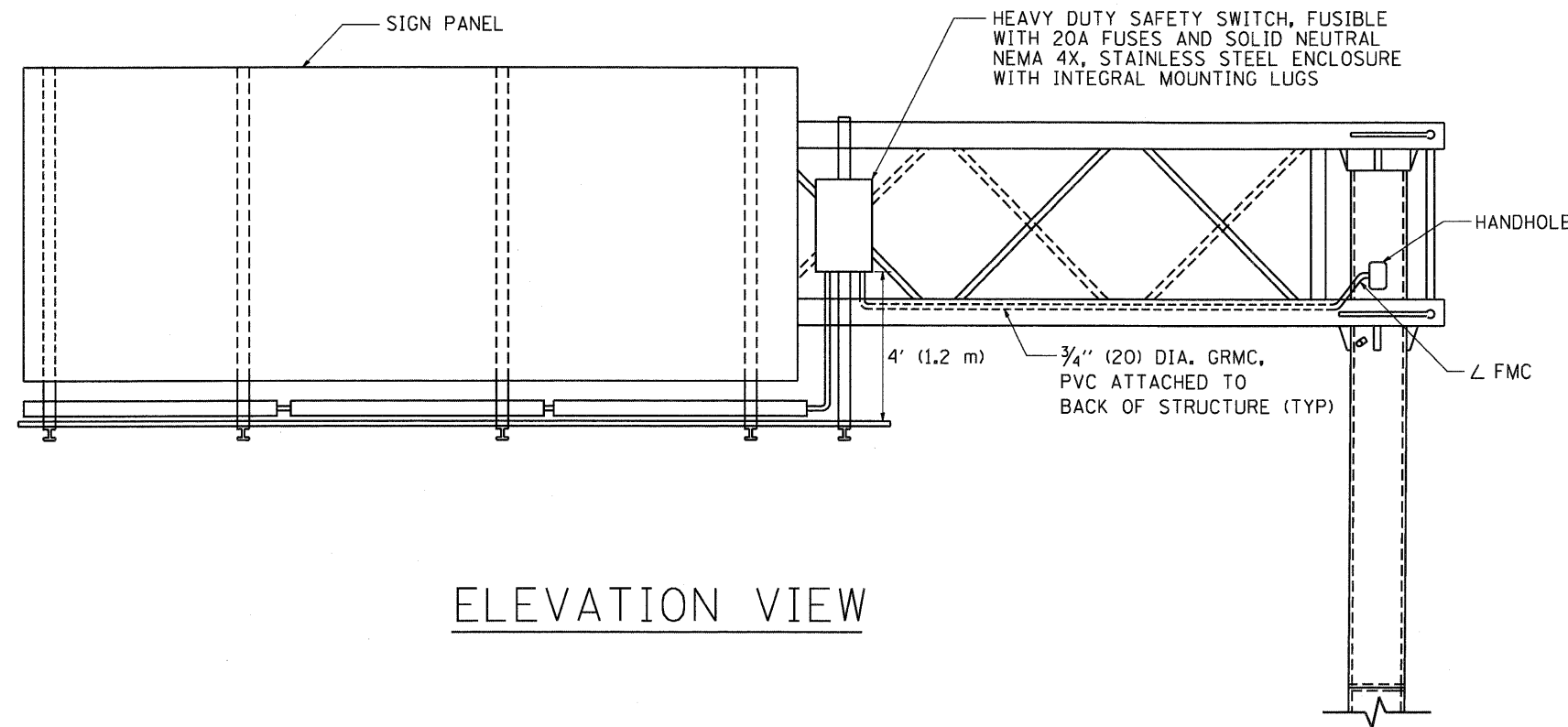
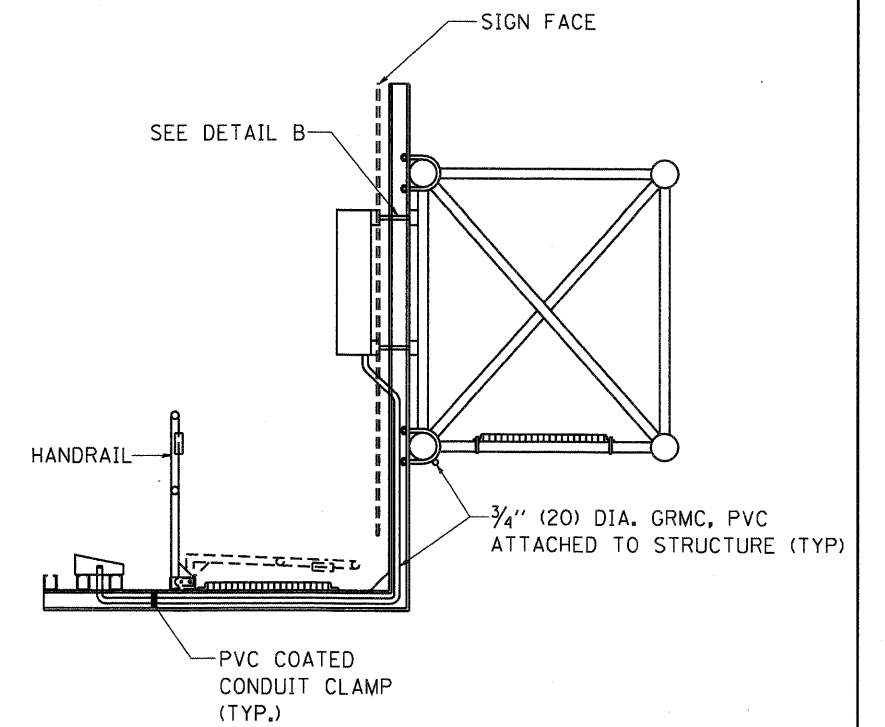
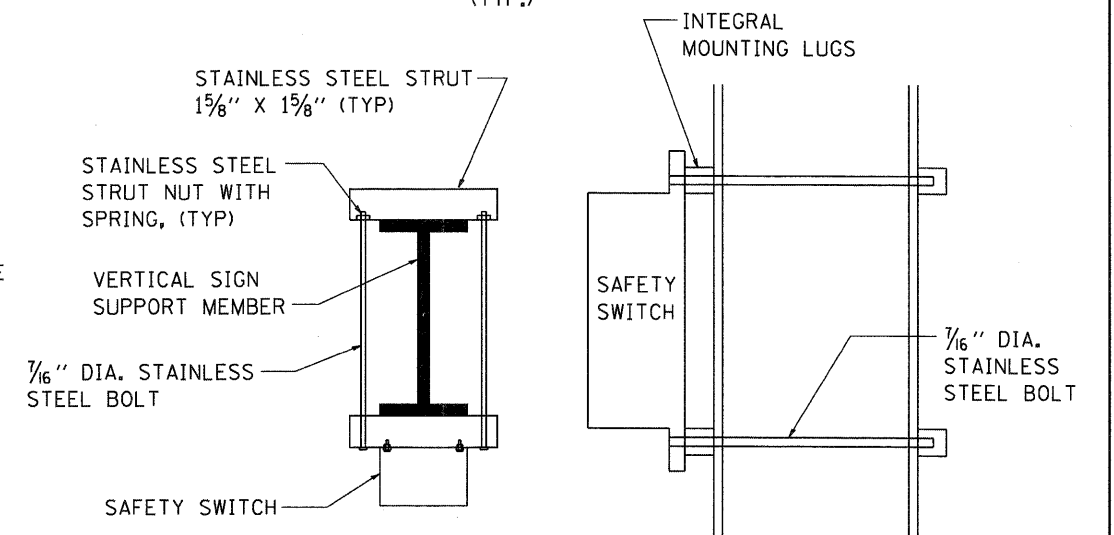


TOP VIEW



ELEVATION VIEW



TOP VIEW

SIDE VIEW

DETAIL B

INFORMATION ONLY

FILE NAME = W:\diststd\22x34\be601.dgn

USER NAME = gegljanobt	DESIGNED -	REVISED - 08-19-04
PLOT SCALE = 50.0000' / IN.	DRAWN -	REVISED -
PLOT DATE = 1/4/2000	CHECKED -	REVISED -
	DATE -	REVISED -

STATE OF ILLINOIS
DEPARTMENT OF TRANSPORTATION

ELECTRIC CONNECTION TO SIGN STRUCTURE
CANTILEVER TYPE

SCALE: NONE SHEET NO. 2 OF 2 SHEETS STA. TO STA.

F.A. RTE.	SECTION	COUNTY	TOTAL SHEETS	SHEET NO.
	99-1-RS-4	WILL	116	116
BE-601		CONTRACT NO. 60M63		
FED. ROAD DIST. NO. 1 ILLINOIS FED. AID PROJECT				