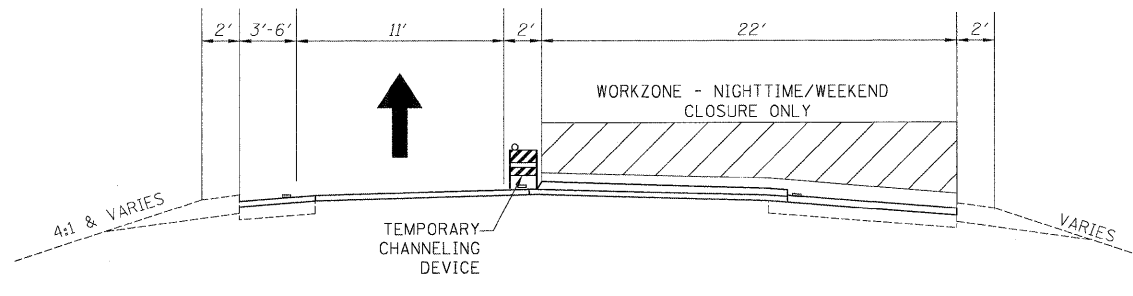


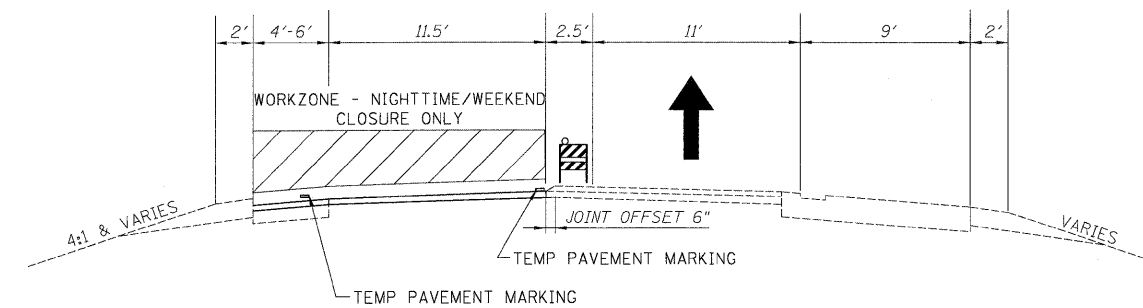
**OPERATION 1**

- GRIND 4" INSIDE SHOULDER
- GRIND 2" SMA SURFACE LANE 1
- TEMPORARY CHANNELING DEVICE REQUIRED ALONG OUTSIDE SHOULDER (SEE NOTE 6)



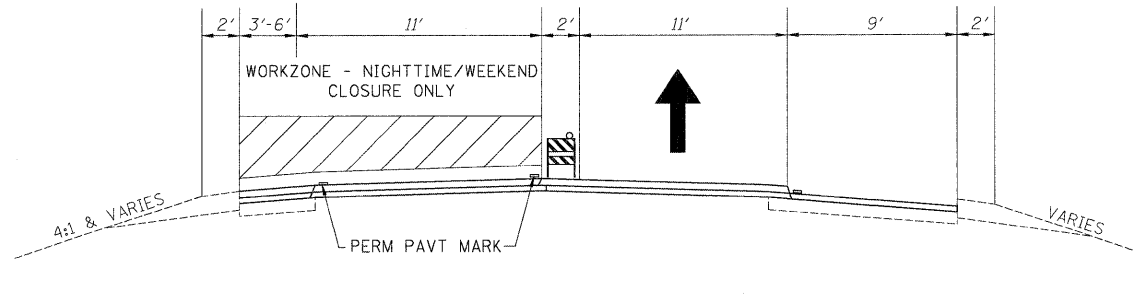
**OPERATION 5**

- PLACE 2" SMA SURFACE LANE 2



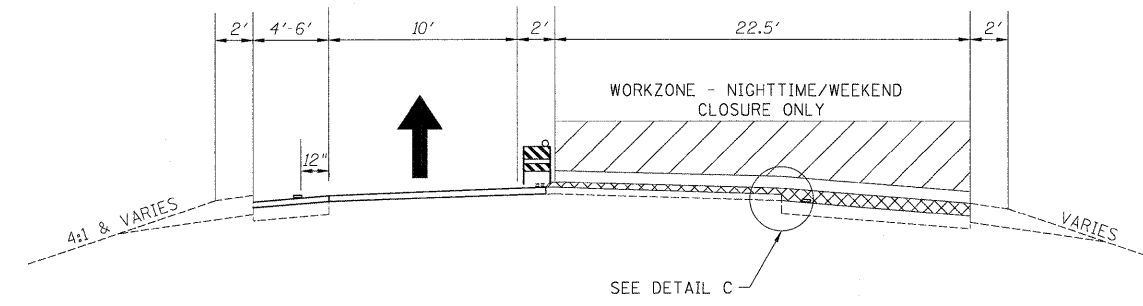
**OPERATION 2**

- GRIND 2" BINDER ASPHALT AND PLACE 2" SMA BINDER LANE 1 (SAME CLOSURE)
- PLACE INSIDE SHOULDER BINDER



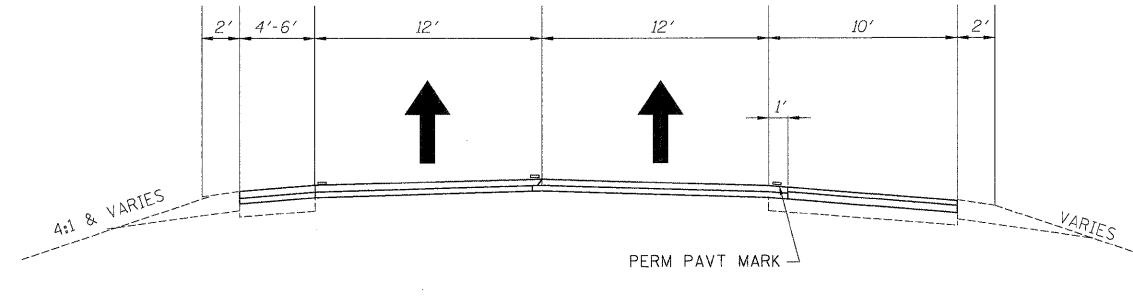
**OPERATION 6**

- PLACE 2" SMA SURFACE LANE 2



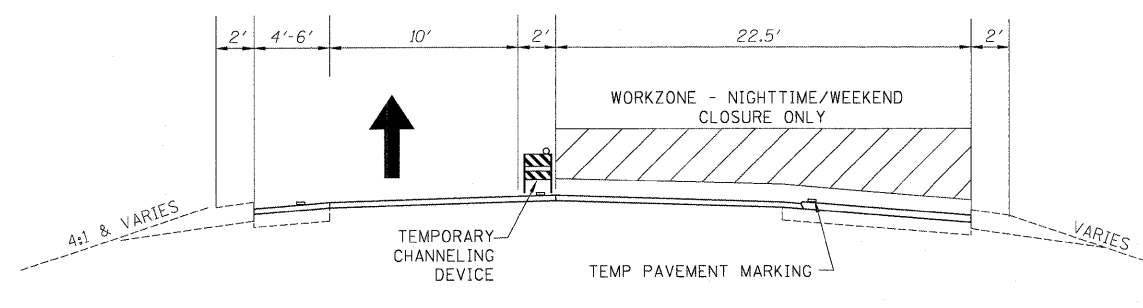
**OPERATION 3**

- GRIND 4" OUTSIDE SHOULDER
- GRIND 2" SURFACE ASPHALT LANE 2



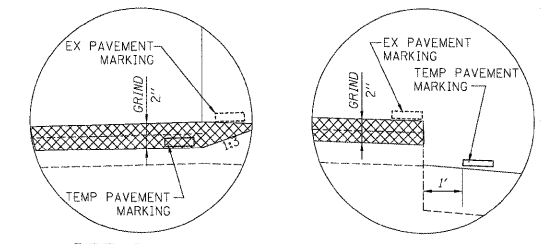
**OPERATION 7**

- PLACE OUTSIDE SHOULDER SURFACE
- INSTALL RUMBLE STRIP



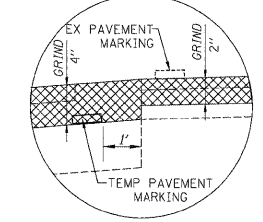
**OPERATION 4**

- GRIND 2" BINDER ASPHALT AND PLACE 2" SMA BINDER LANE 2 (SAME CLOSURE)
- PLACE OUTSIDE SHOULDER BINDER



DETAIL A

DETAIL C



DETAIL B

**NOTES:**

1. ALL OPERATIONS TO BE PERFORMED UNDER TEMPORARY NIGHTTIME/WEEKEND CLOSURES. DAYTIME TRAFFIC WILL UTILIZE EXISTING TRAFFIC CONFIGURATION.
2. IDOT STANDARD 701401-06 SHALL BE FOLLOWED FOR ALL TEMPORARY LANE CLOSURE
3. SURFACE REMOVAL WILL BE PAID AS HOT-MIX ASPHALT SURFACE REMOVAL, 4" (44000165) REGARDLESS OF THE NUMBER OF PASSES.
4. FOR HMA MIX TABLE, SEE GENERAL NOTES.
5. MOT TYPICAL SECTIONS HAVE WESTBOUND SHOWN. EASTBOUND IS SIMILAR.
6. BARRICADES ARE REQUIRED ALONG ALL SHOULDERS FOR DROPOFFS GREATER THAN 3", AND LOW SHOULDER SIGNS (2 MILE SPACING) ARE REQUIRED FOR ALL SHOULDER DROPOFFS GREATER THAN 1 INCH.
7. PAVEMENT PATCHING TO BE DONE PRIOR TO THE TRAFFIC OPERATIONS SHOWN.
8. THE CONTRACTOR IS ADVISED THAT THE EXISTING MAINLINE SURFACE ASPHALT CONTAINS SLAG AND ALL LIMITS AND RESTRICTIONS FOR USE OF THIS MATERIAL AS RAP SHALL APPLY.
9. EPOXY PAVEMENT MARKINGS WILL BE USED ON ALL MILLED SURFACES AS TEMPORARY PAVEMENT MARKINGS. THIS WORK WILL BE PAID AS WET REFLECTIVE TEMPORARY TAPE. SEE CONTRACT SPECIAL PROVISIONS.
10. ANY MAINLINE BINDER REMOVED WILL BE REPLACED BEFORE RE-OPENING THE ROAD TO TRAFFIC.
11. ANY PAVEMENT MARKING (TEMPORARY OR PERMANENT) REMOVED UNDER THIS CONTRACT SHALL BE REPLACED BY THIS CONTRACT PRIOR TO RE-OPENING THE LANES TO TRAFFIC.

12. ALL MAINTENANCE OF TRAFFIC - TYPICAL SECTIONS FOR TEMPORARY LANE CLOSURES ARE SUGGESTED SEQUENCES OF OPERATIONS.

USER NAME = default	DESIGNED - RR	REVISED - 03/04/11 ADDENDUM B		<b>STATE OF ILLINOIS</b> <b>DEPARTMENT OF TRANSPORTATION</b>	<b>MAINTENANCE OF TRAFFIC - TYPICAL SECTIONS FOR TEMPORARY LANE CLOSURES 1-80 MAINLINE</b>			F.A.I. RTE. 80	SECTION 99(3&4)RS-4	COUNTY WILL	TOTAL SHEETS 117	SHEET NO. 33	
PLOT SCALE = #SCALE#	DRAWN - JK	REVISED -			SCALE: N/A	SHEET NO. 1 OF 1 SHEETS	STA. TO STA.	FED. ROAD DIST. NO.	ILLINOIS FED. AID PROJECT	CONTRACT NO. 60M65			
PLOT DATE = 1/17/2011	CHECKED - RR	REVISED -											
	DATE - 01/19/2011	REVISED -											