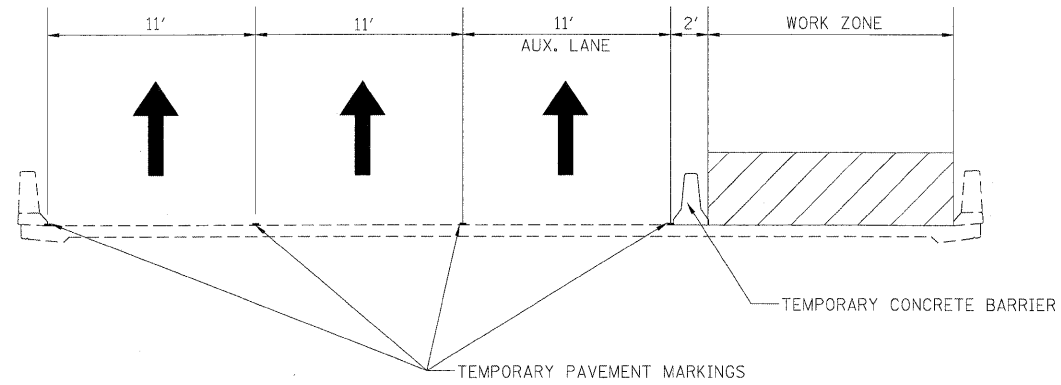
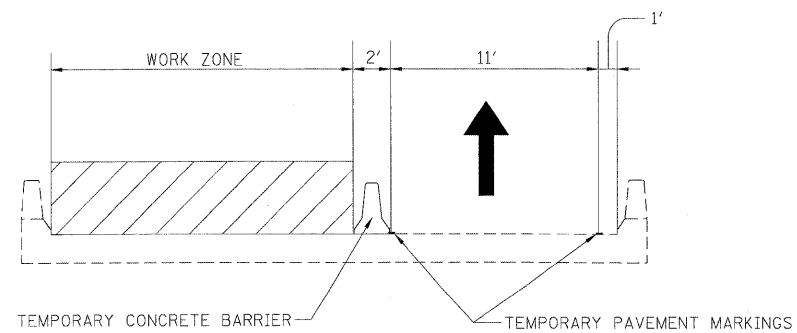


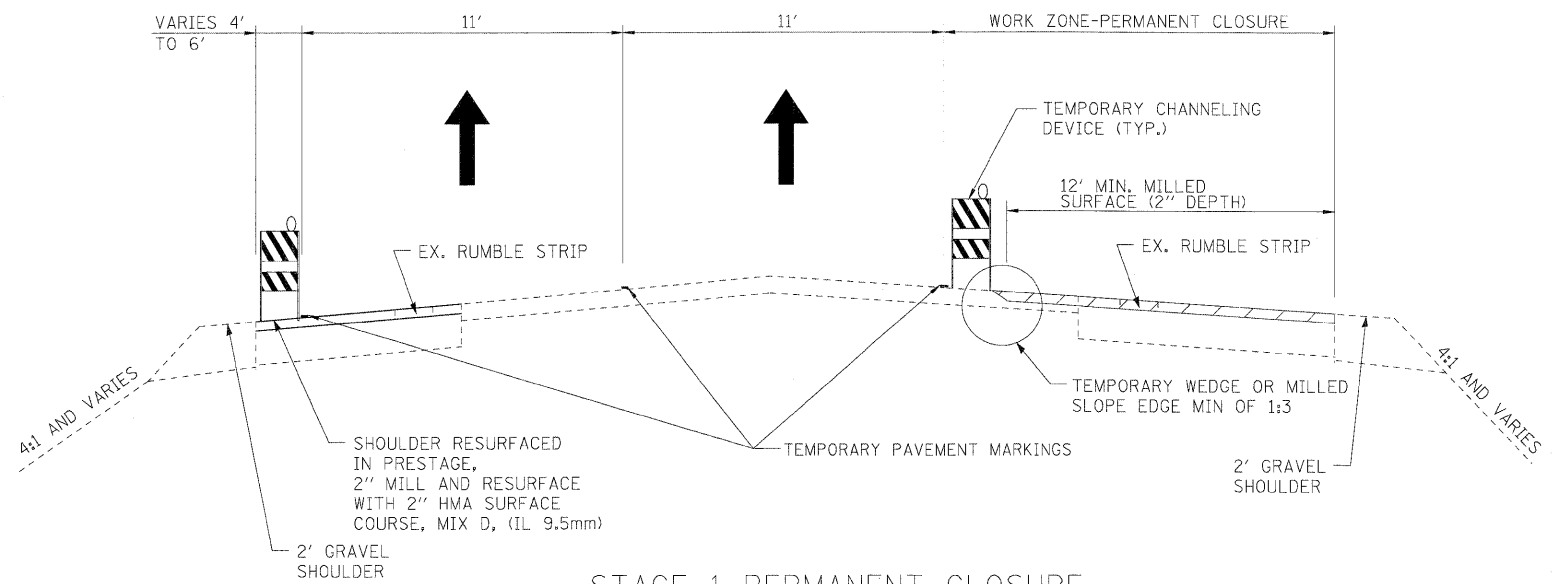
STAGE 1 CONSTRUCTION FOR WB I-80 OVER  
ROCK RUN CREEK AND FRONTAGE ROAD  
LOOKING WEST



STAGE 1 CONSTRUCTION FOR WB I-80 OVER I-55  
LOOKING WEST



STAGE 1 CONSTRUCTION FOR SB I-55 RAMP TO  
WB I-80 OVER FRONTAGE ROAD  
LOOKING WEST



STAGE 1 PERMANENT CLOSURE  
LOOKING WEST

USER NAME = dornkovich	DESIGNED - LLS/JG	REVISED -
PLOT SCALE = 1/8"=1'	DRAWN - PMS/DC	REVISED -
PLOT DATE = 18-JAN-2011	CHECKED - JAL	REVISED -
FILE NAME = IP_PWP\dms34562\0162063-sh-t-MOT-STG.1-typ.02.dgn	DATE - 01/19/2011	REVISED -



STATE OF ILLINOIS  
DEPARTMENT OF TRANSPORTATION

MAINTENANCE OF TRAFFIC - STAGE 1  
TYPICAL SECTIONS

SCALE: N.T.S. SHEET NO. 1 OF 1 SHEETS STA. N/A TO STA. N/A

F.A.I. RTE.	SECTION	COUNTY	TOTAL SHEETS	SHEET NO.
80	99 (3&4) RS-4	WILL	117	34
CONTRACT NO. 60M65				
FED. ROAD DIST. NO. 1 (ILLINOIS) FED. AID PROJECT				