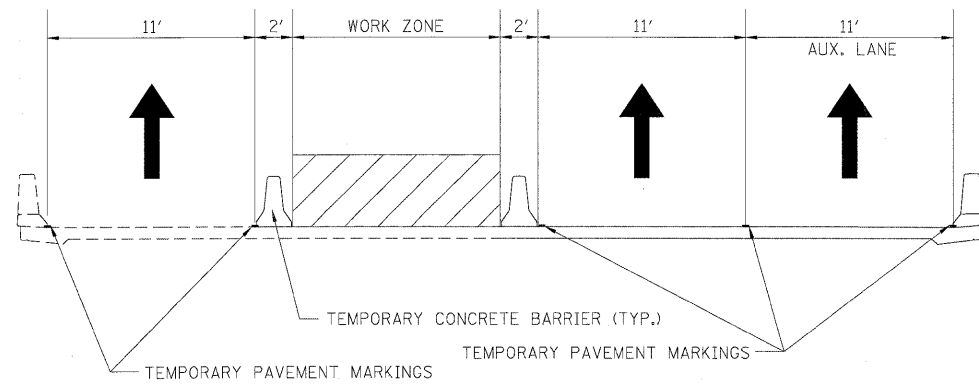
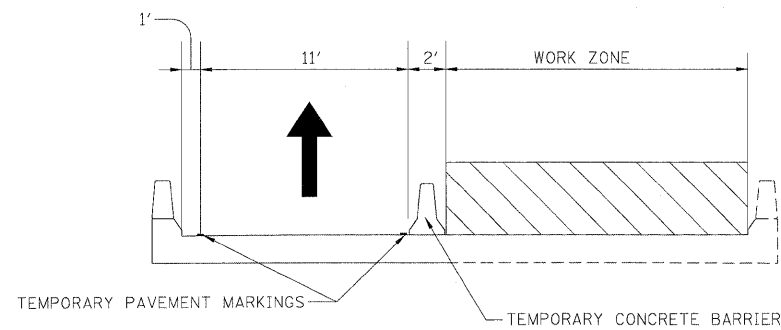


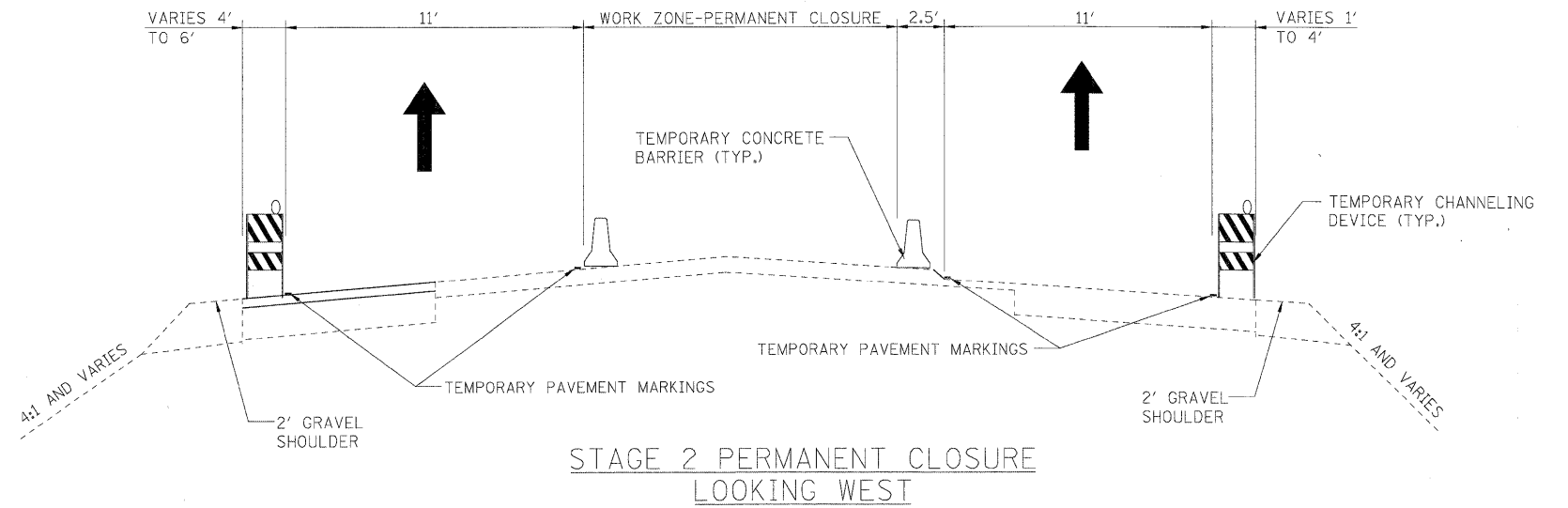
STAGE 2 CONSTRUCTION FOR WB I-80 OVER
ROCK RUN CREEK AND FRONTAGE ROAD
LOOKING WEST



STAGE 2 CONSTRUCTION FOR WB I-80 OVER I-55
LOOKING WEST



STAGE 2 CONSTRUCTION FOR SB I-55 RAMP
TO WB I-80 OVER FRONTAGE ROAD
LOOKING WEST



STAGE 2 PERMANENT CLOSURE
LOOKING WEST

DESIGNED - LLS/JG	REVISED -
USER NAME = dornkovich	DRAWN - PMS/DC
PLOT SCALE = 1/8"=1'	CHECKED - JAL
PLOT DATE = 18-JAN-2011	DATE - 01/19/2011
FILE NAME = TP_PWP\dms34560\0169M53-shr-MOT-STG.2-typ.02.dgn	REVISED -



STATE OF ILLINOIS
DEPARTMENT OF TRANSPORTATION

MAINTENANCE OF TRAFFIC - STAGE 2
TYPICAL SECTIONS

SCALE: N.T.S. SHEET NO. 1 OF 1 SHEETS STA. N/A TO STA. N/A

F.A.I. RTE.	SECTION	COUNTY	TOTAL SHEETS	SHEET NO.
80	99 (3&4) RS-4	WILL	117	41
FED. ROAD DIST. NO. 1 [ILLINOIS] FED. AID PROJECT			CONTRACT NO. 60M65	