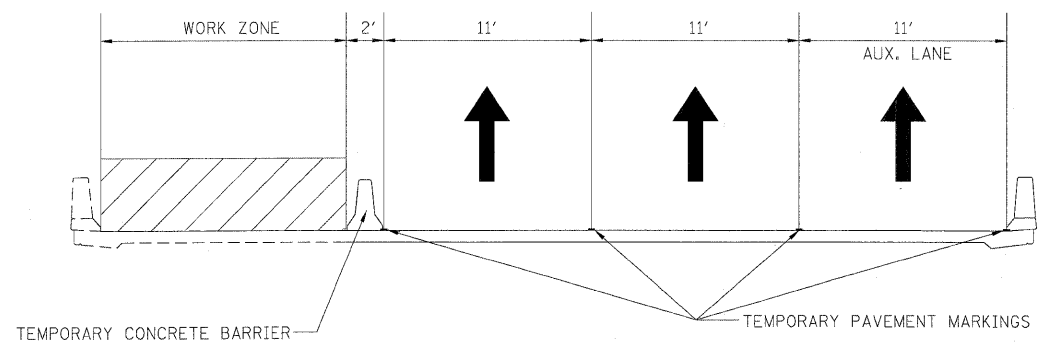
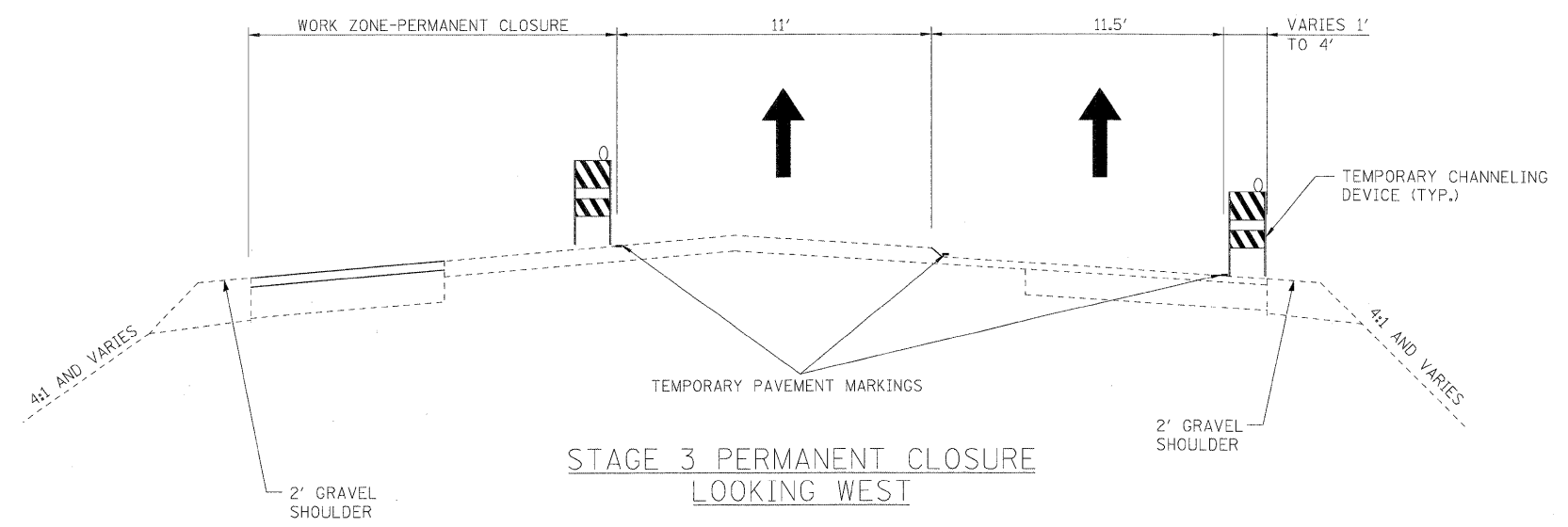


STAGE 3 CONSTRUCTION FOR WB I-80 OVER
ROCK RUN CREEK AND FRONTAGE ROAD
LOOKING WEST



STAGE 3 CONSTRUCTION FOR WB I-80 OVER I-55
LOOKING WEST



STAGE 3 PERMANENT CLOSURE
LOOKING WEST

USER NAME = dornkeviah	DESIGNED - LLS/JG	REVISIONS		STATE OF ILLINOIS DEPARTMENT OF TRANSPORTATION	MAINTENANCE OF TRAFFIC - STAGE 3 TYPICAL SECTIONS			F.A.J. RTE.	SECTION	COUNTY	TOTAL SHEETS	SHEET NO.
PLOT SCALE = 1/8"	DRAWN - PMS/DC	REVISIONS						80	99 (3&4) RS-4	WILL	117	46
PLOT DATE = 18-JAN-2011	CHECKED - JAL	REVISIONS						CONTRACT NO. 60M65				
DATE = 01/19/2011	REVISIONS	FED. ROAD DIST. NO. 1 ILLINOIS FED. AID PROJECT										
FILE NAME = TP_PWP\dms34562\1160M63-st-t-MOT-STG-3-typ.02.dgn					SCALE: N.T.S.	SHEET NO. 1 OF 1 SHEETS	STA. N/A TO STA. N/A					