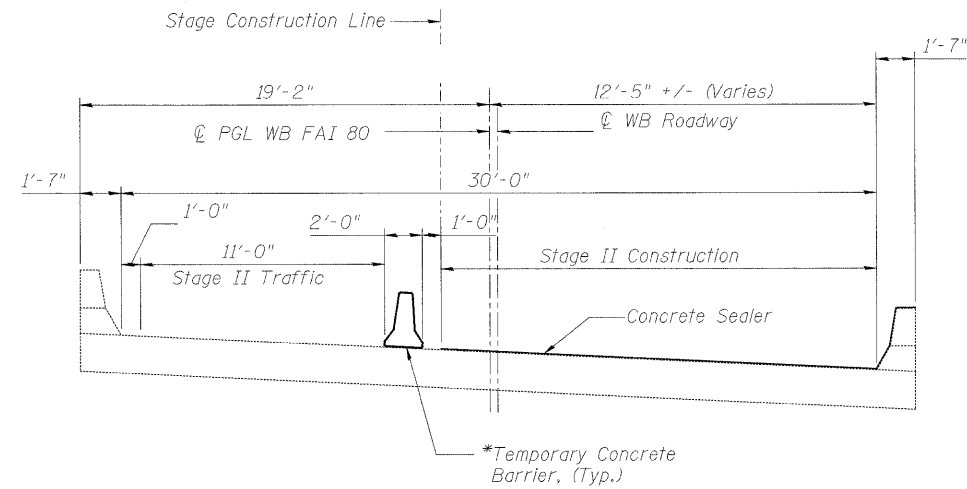


STAGE I CONSTRUCTION

Looking West



STAGE II CONSTRUCTION

Looking West

NOTES

* A Barricade Type II shall be used in lieu of Temporary Concrete Barrier for closures less than 24 hours. See Roadway Plans for details.

USER NAME =	DESIGNED - GMK	REVISED -
PLOT SCALE =	DRAWN - GFP	REVISED -
PLOT DATE =	CHECKED - WPK/GMK	REVISED -
FILE NAME =	DATE - 01/18/2011	REVISED -



**STATE OF ILLINOIS
DEPARTMENT OF TRANSPORTATION**

**CONSTRUCTION STAGING
I-80 OVER W. FRONTAGE ROAD
SN 099-0043**

SHEET NO. S-3 OF S-4 SHEETS

F.A.I. RTE.	SECTION	COUNTY	TOTAL SHEETS	SHEET NO.
80	99 (3&4) RS-4	WILL	117	83
FED. ROAD DIST. NO. 1 ILLINOIS FED. AID PROJECT			CONTRACT NO. 60M65	