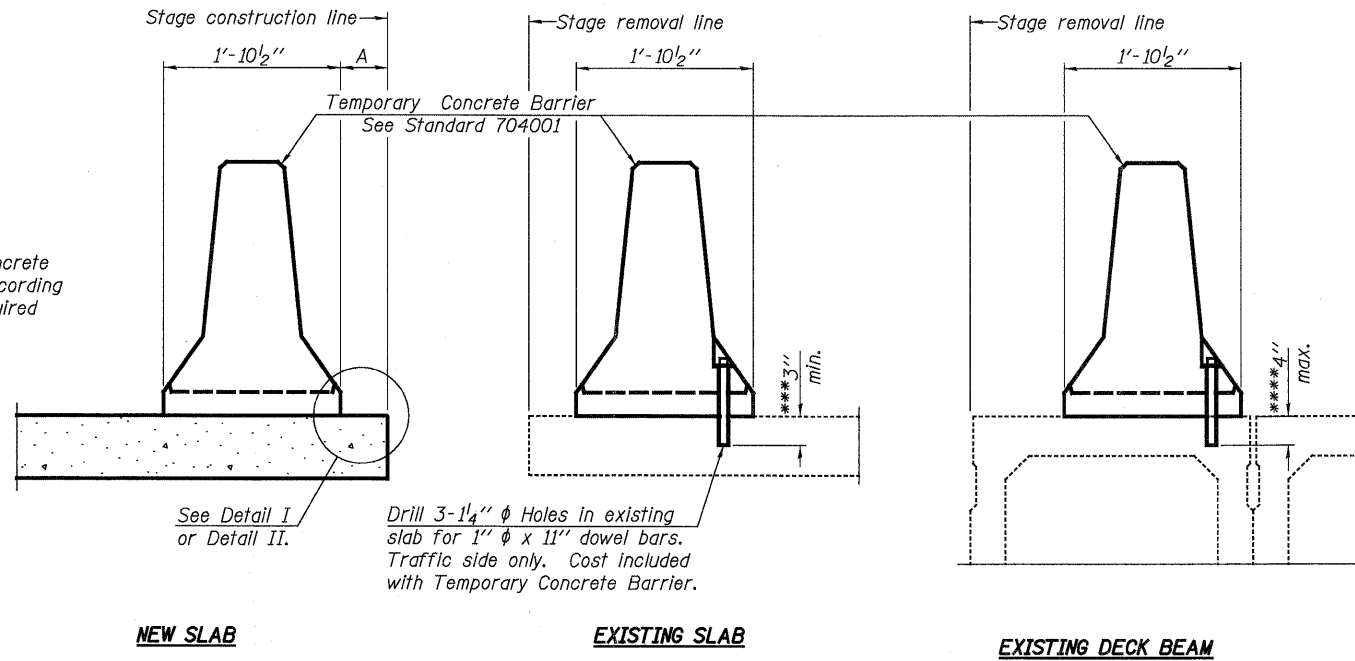


When "A" is 3'-6" or less, the temporary concrete barrier shall be anchored to the new slab according to Detail I or Detail II. No anchorage is required when "A" is greater than 3'-6".



**SECTIONS THRU SLAB OR DECK BEAM**

**NOTES**

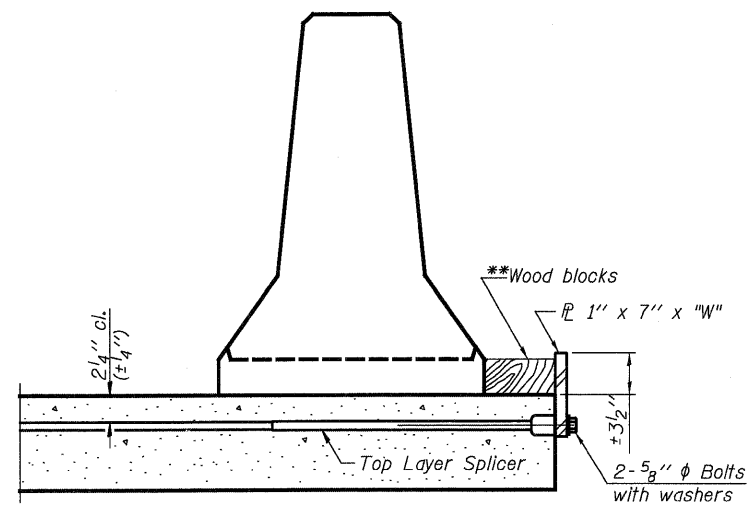
Detail I - With Bar Splicer or Couplers:  
Connect one (1) 1" x 7" x "W" steel PL to the top layer of couplers with 2-5/8" φ bolts screwed to coupler at approximate C of each barrier panel.

Detail II - With Extended Reinforcement Bars:  
Connect one (1) 1" x 7" x "W" steel PL to the concrete slab or concrete wearing surface with 2-5/8" φ Expansion Anchors or cast in place inserts spaced between the top layer of reinforcement at approximate C of each barrier panel.

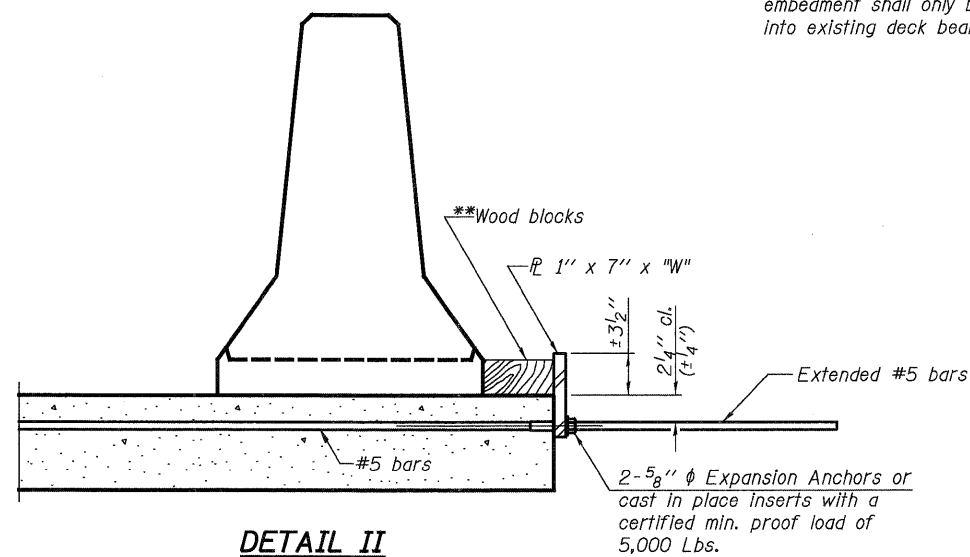
Cost of anchorage is included with Temporary Concrete Barrier. The 1" x 7" x "W" plate shall not be removed until stage II construction forms and all reinforcement bars are in place and the concrete is ready to be placed.

\*\*\* Dimension shown is minimum required embedment into concrete. If hot-mix asphalt wearing surface is present, minimum embedment shall be in addition to wearing surface depth.

\*\*\*\* If existing deck beam is to remain in place after construction, embedment shall only be into wearing surface and not into existing deck beam concrete.



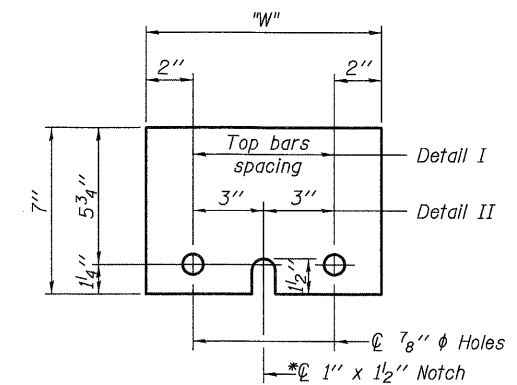
**DETAIL I**



**DETAIL II**

\*\* Wood blocks may be omitted when required to provide minimum stage traffic lane width. When the wood blocks are omitted, the concrete barrier shall be in direct contact with the steel retainer plate.

"W" = Top bars spacing + 4"



**STEEL RETAINER PL 1" x 7" x "W"**

\* Required only with Detail II

USER NAME =	DESIGNED - GMK	REVISED -	DBS DB STERLIN CONSULTANTS, INC. 122 N. WACKER DRIVE SUITE 2000 CHICAGO, ILLINOIS 60606 TEL. (312) 987-1008 FAX. (312) 987-1008	<b>STATE OF ILLINOIS</b> <b>DEPARTMENT OF TRANSPORTATION</b>	<b>TEMPORARY CONCRETE BARRIER FOR STAGED CONSTRUCTION</b> <b>WESTBOUND I-80 OVER ROCK RUN CREEK</b> <b>SN-099-0047</b>	F.A.I. RTE.	SECTION	COUNTY	TOTAL SHEETS	SHEET NO.
PLOT SCALE =	DRAWN - GFP	REVISED -				80	99 (3&4) RS-4	WILL	117	94
PLOT DATE =	CHECKED - WPK/MWS	REVISED -				CONTRACT NO. 60M65				
FILE NAME =	DATE - 01/18/2011	REVISED -				FED. ROAD DIST. NO. 1 ILLINOIS FED. AID PROJECT				
SHEET NO. 5-6 OF 5-6 SHEETS										