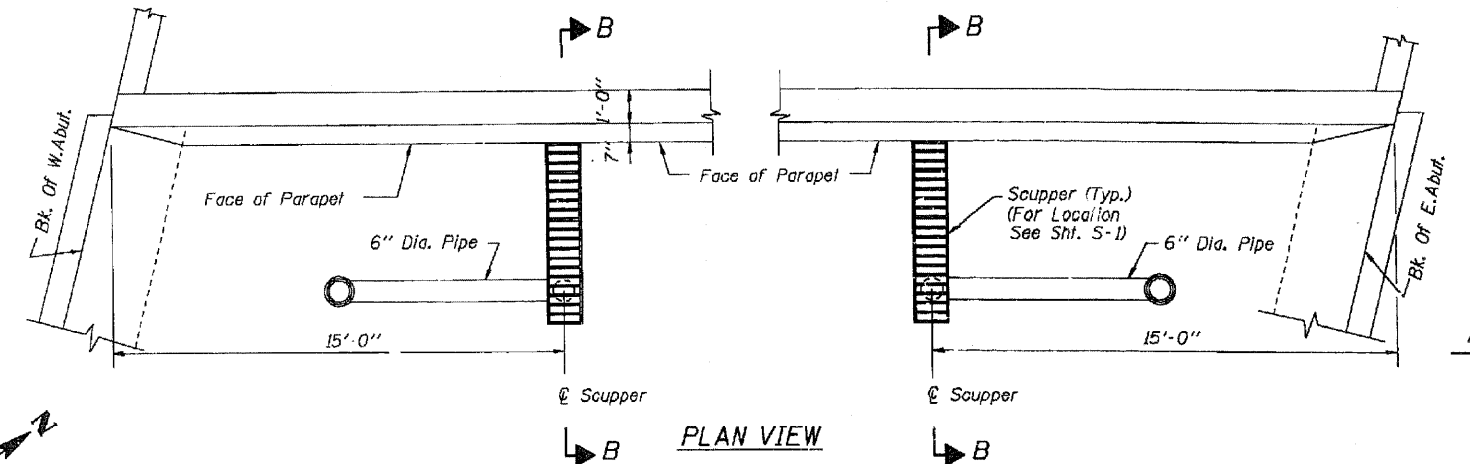
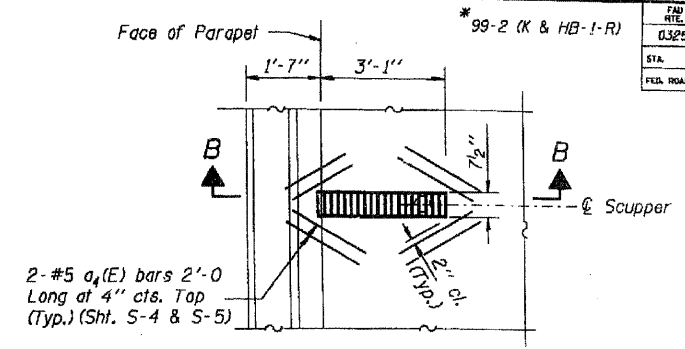


F.A.I. RTE.	SECTION	COUNTY	TOTAL SHEETS	SHEET NO.
0325	*	WILL	286	175
STA.	TO STA.			
FED. ROAD DIST. NO.	ILLINOIS	FED. AID PROJECT		

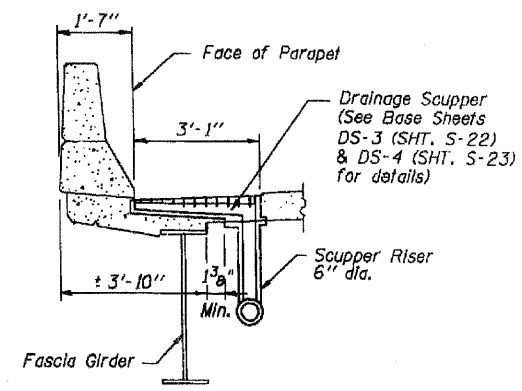
SHEET S-21 OF S-26



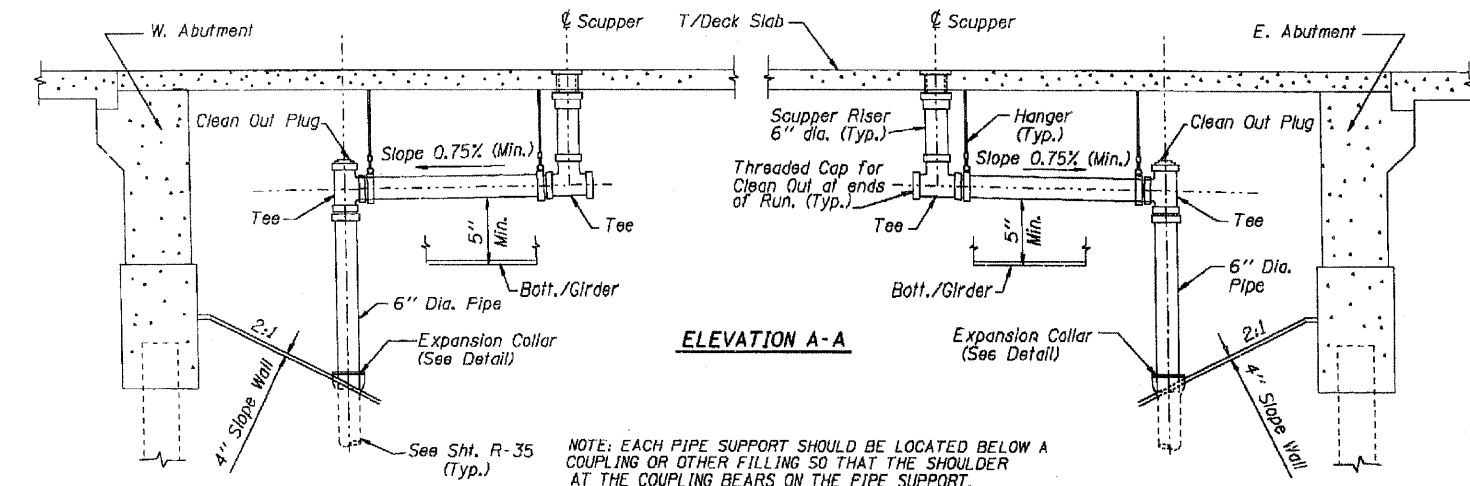
PLAN VIEW



PLAN

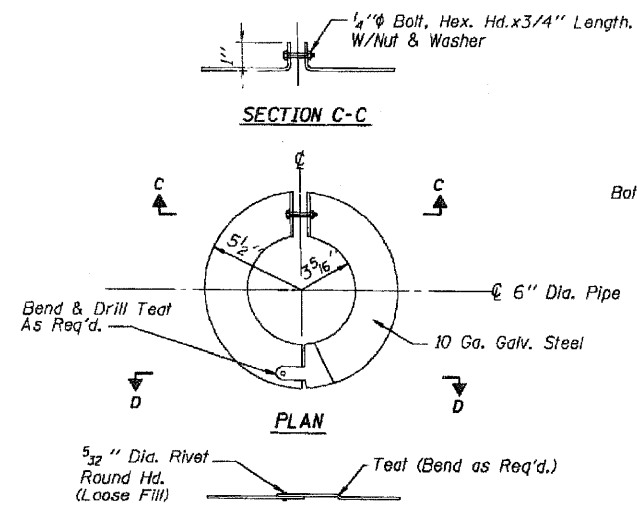


SECTION B-B



ELEVATION A-A

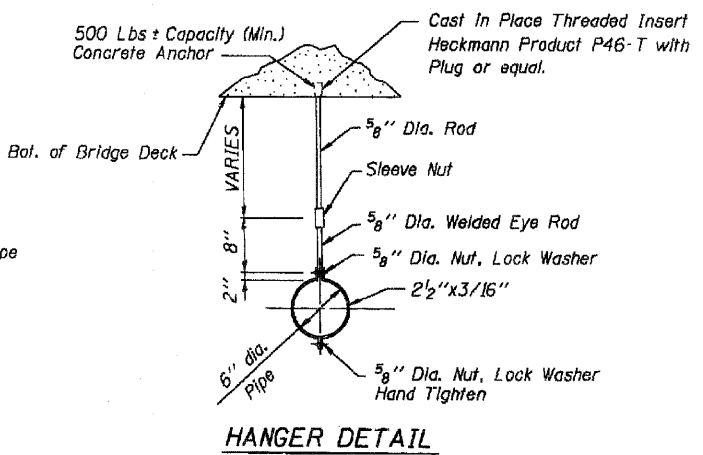
NOTE: EACH PIPE SUPPORT SHOULD BE LOCATED BELOW A COUPLING OR OTHER FILLING SO THAT THE SHOULDER AT THE COUPLING BEARS ON THE PIPE SUPPORT.



SECTION C-C

SECTION D-D

DETAIL OF EXPANSION COLLAR



HANGER DETAIL

FOR INFORMATION ONLY

BILL OF MATERIAL

ITEM	UNIT	ESTIMATED QUANTITIES
SCUPPERS	EACH	4
BRIDGE DRAINAGE SYSTEM	L. SUM	1

NOTES:

- ALL DRAIN PIPES AND FITTINGS SHALL BE FIBERGLASS CONFORMING TO ASTM D2996 RTRP OR ASTM D2997 RTRP WITH SHORT TERM RUPTURE STRENGTH HOOP TENSILE STRESS OF 30,000 PSI MINIMUM. THE SURFACE OF FIBERGLASS PIPE SHALL BE FREE OF BOND INHIBITING AGENTS.
- ALL PIPE HANGERS, SUPPORTS AND HARDWARE SHALL BE GALVANIZED BY THE HOT-DIP PROCESS. THE ZINC COATING SHALL CONFORM TO THE REQUIREMENTS OF ASTM A12 J.
- ALL EXTERIOR SURFACES OF THE FLOOR DRAINS SHALL BE PAINTED WITH THE INTERMEDIATE COAT AND TOP COAT SPECIFIED FOR STRUCTURAL STEEL IN SECTION 509 OF THE STANDARD SPECIFICATIONS EXCEPT THAT THE COLOR SHALL BE MUNSELL NO. 7.5 G4/8 INTERSTATE GREEN. FIBERGLASS TO HAVE PREWASH AS PER MIL-P-15328 B PRIOR TO PAINTING.
- PIPE HANGERS SHALL BE PROVIDED ON ALL HORIZONTAL PIPES AT EACH TEE, ELBOW, OR CHANGE IN DIRECTION AND AT INTERMEDIATE POINTS NOT MORE THAN 5'-0" ON CENTERS.
- THE CONTRACTOR MAY USE ALTERNATE PIPE HANGERS. THE PIPE HANGERS SHALL HAVE A LOAD CAPACITY OF NOT LESS THAN 500 LBS. AND SHALL BE DESIGNED SO AS NOT TO APPLY EXCESSIVE COMPRESSIVE STRESS TO THE PIPE. ALTERNATE PIPE HANGER DESIGNS MUST BE APPROVED BY THE ENGINEER PRIOR TO THEIR USE.
- DRAINS SHALL BE LOCATED CLEAR OF ALL CROSS FRAMES.
- WORK THIS SHEET WITH SHT. S-1, S-4, S-5, S-22, S-23 & R-35

NOTE: COST OF FURNISHING AND INSTALLING DRAIN PIPE, FITTINGS, ELBOWS, PLATES AND MOUNTING HARDWARE NECESSARY TO INSTALL THE BRIDGE DRAINAGE SYSTEM SHALL BE PAID FOR AT THE CONTRACT LUMP SUM PRICE FOR BRIDGE DRAINAGE SYSTEM.

Designed by
FLUOR DANIEL
Job No. 834703 Chicago, Illinois 60606

REVISIONS	
NAME	DATE

DECK DRAINAGE DETAILS
STATE OF ILLINOIS
DEPARTMENT OF TRANSPORTATION
SECTION 99-2 (K & HB-1-R)
FAI-80 OVER HOUBOLT RD. (FAU-0325)
SN 099-0301 E.B. AND 099-0302 W.B.
PHASE II
WILL COUNTY

DESIGNED - DF	REVISIONS -
DRAWN - LAM	REVISIONS -
CHECKED - BLU	REVISIONS -
DATE - 01/19/2011	REVISIONS -



STATE OF ILLINOIS
DEPARTMENT OF TRANSPORTATION

FOR INFORMATION ONLY - EXISTING DRAINAGE SYSTEM DETAILS
WESTBOUND FAI-80 OVER HOUBOLT ROAD
STRUCTURE NO. 099-0302
SHEET NO. S-2 OF S-3 SHEETS

F.A.I. RTE.	SECTION	COUNTY	TOTAL SHEETS	SHEET NO.
80	99(3&4)RS-4	WILL	117	96
FED. ROAD DIST. NO.			ILLINOIS	FED. AID PROJECT

s:\056b\05_cadd\roads sheet\0990302-6\065-002-DRN.dgn