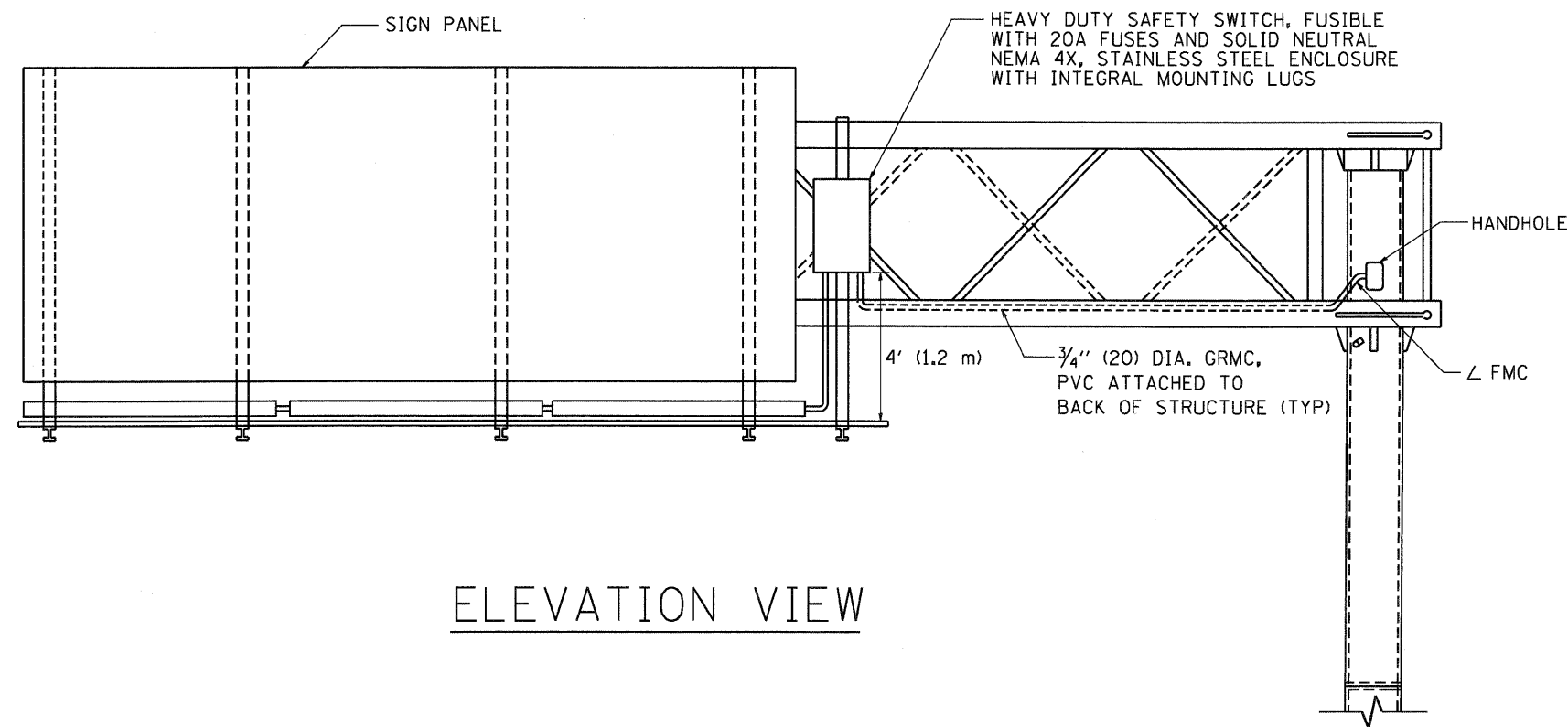
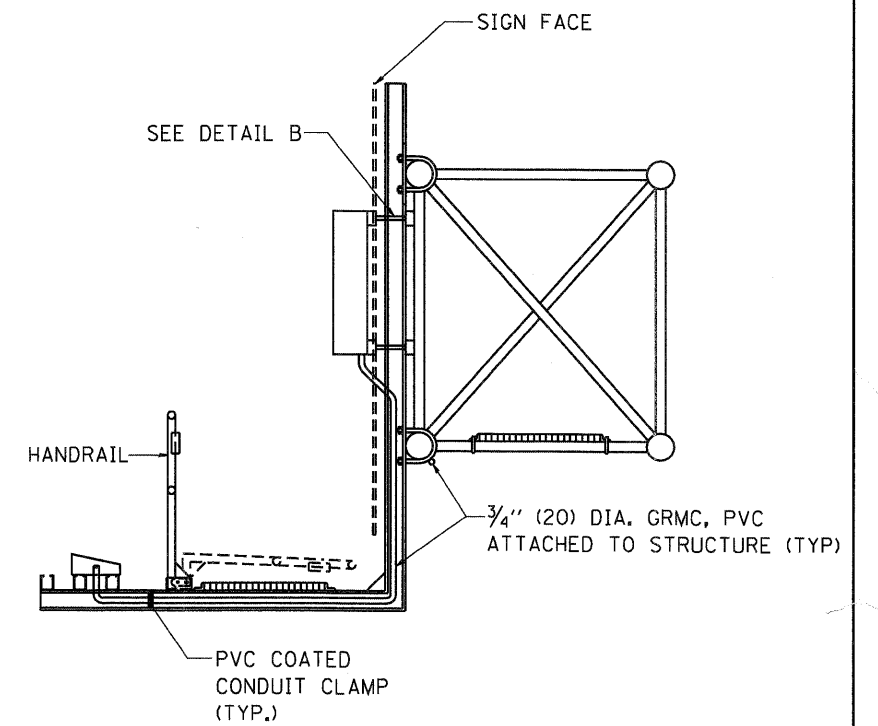
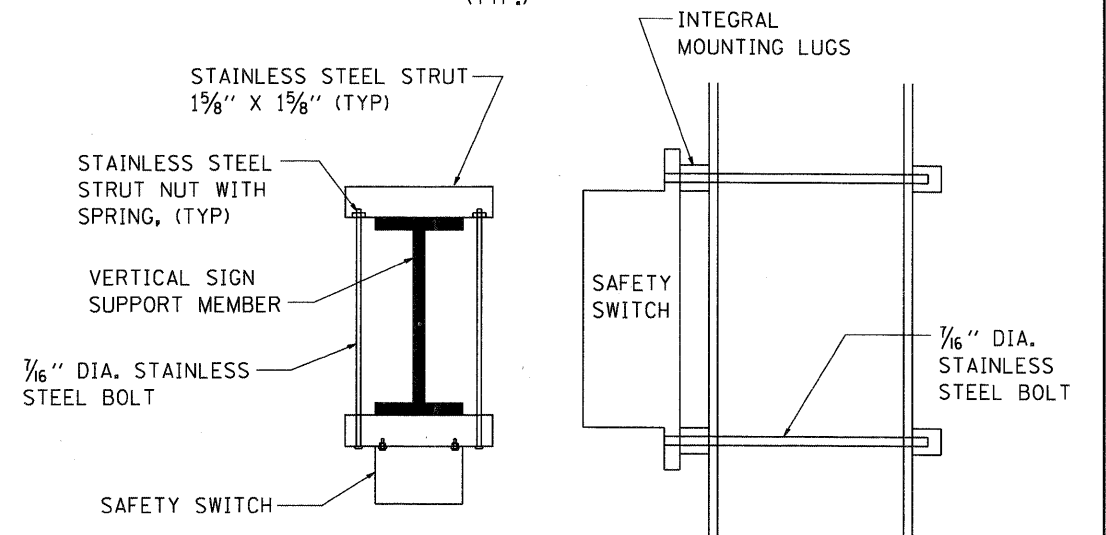


TOP VIEW



ELEVATION VIEW



TOP VIEW

SIDE VIEW

DETAIL B

INFORMATION ONLY

FILE NAME = W:\diststd\22x34\be601.dgn	USER NAME = gaglionobt	DESIGNED -	REVISED - 08-19-04	<b>STATE OF ILLINOIS DEPARTMENT OF TRANSPORTATION</b>	<b>ELECTRIC CONNECTION TO SIGN STRUCTURE CANTILEVER TYPE</b>			F.A. RTE.	SECTION	COUNTY	TOTAL SHEETS	SHEET NO.
	PLOT SCALE = 50.0000' / IN.	CHECKED -	REVISED -		SCALE: NONE	SHEET NO. 2 OF 2 SHEETS	STA.	TO STA.	99 (3&4) RS-4	Will	117	117
PLOT DATE = 1/4/2008	DATE -	REVISED -						BE-601	CONTRACT NO. 60M65			
								FED. ROAD DIST. NO. 1 ILLINOIS FED. AID PROJECT				