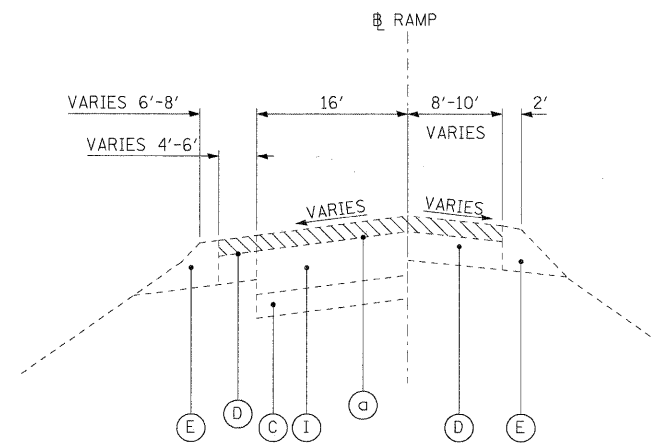


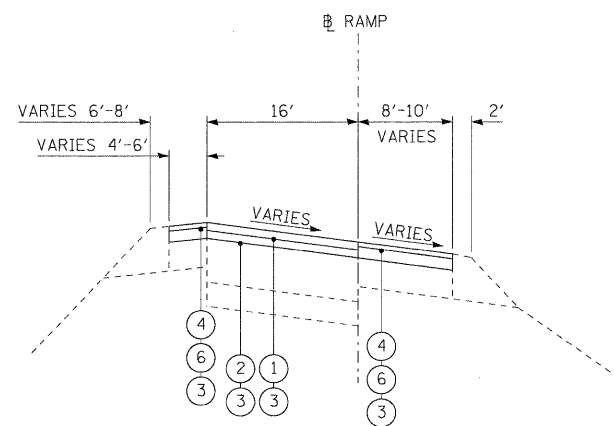
**EXISTING RAMP TYPICAL SECTION**

CHICGO-A STA. 3+56.67 TO STA. 8+90.24  
 CHICGO-D STA. 13+30.42 TO STA. 18+51.45  
 CHICGO-AA STA. 9+92.77 TO STA. 10+56.95  
 CHICGO-BB STA. 2+35.84 TO STA. 8+80.05  
 CHICGO-DD STA. 2+47.33 TO STA. 5+87.94  
 CHICGO-CC STA. 2+91.26 TO STA. 10+95.50



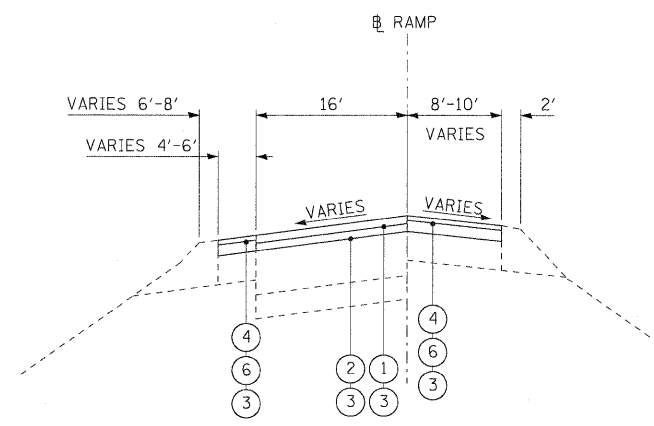
**EXISTING RAMP TYPICAL SECTION**

CHICGO-A STA. 8+90.24 TO STA. 12+89.32  
 CHICGO-D STA. 10+32.42 TO STA. 13+30.42



**PROPOSED RAMP TYPICAL SECTION**

CHICGO-A STA. 3+56.67 TO STA. 8+90.24  
 CHICGO-D STA. 13+30.42 TO STA. 18+51.45  
 CHICGO-AA STA. 9+92.77 TO STA. 10+56.95  
 CHICGO-BB STA. 2+35.84 TO STA. 8+80.05  
 CHICGO-DD STA. 2+47.33 TO STA. 5+87.94  
 CHICGO-CC STA. 2+91.26 TO STA. 10+95.50



**PROPOSED RAMP TYPICAL SECTION**

CHICGO-A STA. 8+90.24 TO STA. 12+89.32  
 CHICGO-D STA. 10+32.42 TO STA. 13+30.42

**EXISTING LEGEND**

- (A) SMA OVERLAY, 4"±
- (B) P.C.C. PAVEMENT, 10"±
- (C) SUB-BASE GRANULAR MATERIAL
- (D) HMA SHOULDER, 8"±
- (E) AGGREGATE SHOULDER
- (F) PIPE UNDERDRAIN
- (G) HOT-MIX ASPHALT STABILIZATION (AT GUARDRAIL LOCATIONS)
- (H) C.R.C. PAVEMENT, 9"±
- (I) HMA PAVEMENT, 15"±

**REMOVAL LEGEND**

- (a) HOT-MIX ASPHALT SURFACE REMOVAL, 4"
- (b) HOT-MIX ASPHALT SURFACE REMOVAL, 2"

**PROPOSED LEGEND**

- (1) POLYMERIZED HOT-MIX ASPHALT SURFACE COURSE  
STONE MATRIX ASPHALT, N80, 2"
- (2) POLYMERIZED HOT-MIX ASPHALT BINDER COURSE  
STONE MATRIX ASPHALT, N80, 2"
- (3) BITUMINOUS MATERIALS (PRIME COAT)
- (4) HOT-MIX ASPHALT SURFACE COURSE,  
MIX "D", N70, (IL 9.5mm), 1 1/2"
- (5) SHOULDER RUMBLE STRIP
- (6) HOT-MIX ASPHALT BINDER COURSE,  
IL-19.0, N70, 2 1/2"

**NOTES**

1. ALL PAVEMENT PATCHING SHALL BE PLACED AT LOCATIONS AS APPROVED BY THE ENGINEER. THE DEPTH OF THE PATCH SHALL BE EQUAL TO THE THICKNESS OF EXISTING PCC PAVEMENT AND SHALL NOT INCLUDE THE DEPTH OF THE HOT-MIX ASPHALT, 4".
2. THE CONTRACTOR SHALL MAINTAIN THE EXISTING CROSS SLOPES.
3. PAVEMENT UNDERDRAIN IS SHOWN FOR INFORMATION ONLY. DURING PAVEMENT PATCHING OPERATIONS, CARE SHOULD BE TAKEN TO MINIMIZE ANY DAMAGE TO THE UNDERDRAIN. ANY DAMAGE CAUSED TO THE UNDERDRAIN BY THE CONTRACTOR'S OPERATIONS SHALL BE REPAIRED BY THE CONTRACTOR AT THE CONTRACTOR'S EXPENSE.
4. ALL EASTBOUND WORK IS IN CONTRACT 60M64 AND ALL WESTBOUND WORK IS IN CONTRACT 60M66.

DESIGNED - LLS/PMS	REVISIONS -
USER NAME = lsupencheck	DRAWN - LLS/PMS
PLOT SCALE = 1/8"=1'	CHECKED - JAL
PLOT DATE = 19-JAN-2011	DATE = 11/02/2010



**STATE OF ILLINOIS  
DEPARTMENT OF TRANSPORTATION**

**TYPICAL SECTIONS  
RAMPS AT CHICAGO STREET**

SCALE: N.T.S. SHEET NO. 4 OF 7 SHEETS STA. N/A TO STA. N/A

F.A.I. RTE.	SECTION	COUNTY	TOTAL SHEETS	SHEET NO.
80	99 (4&4-1) RS-3	WILL	203	8
CONTRACT NO. 60M66				
FED. ROAD DIST. NO. 1 [ILLINOIS] FED. AID PROJECT				