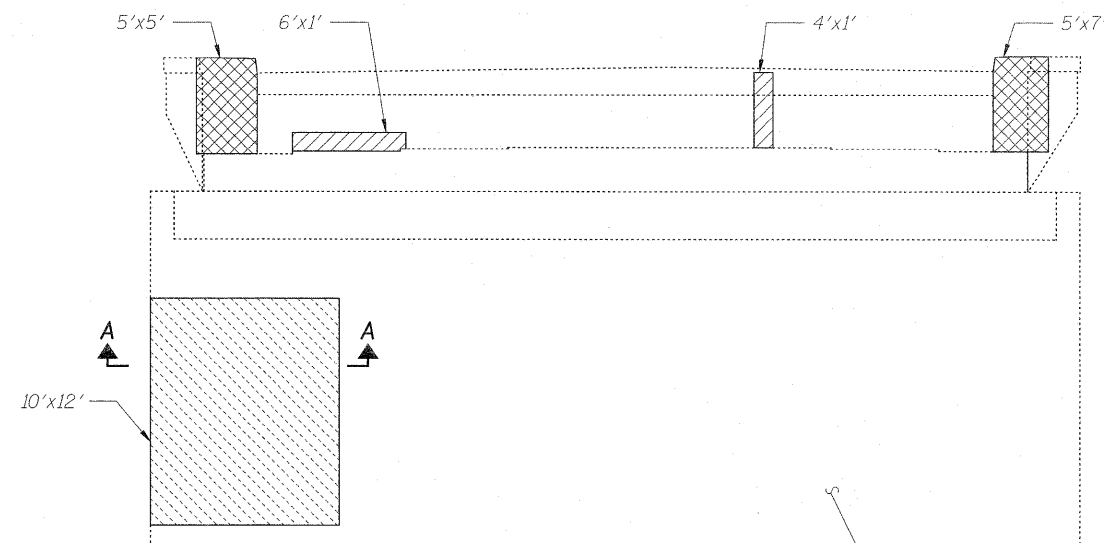


NORTHWEST ABUTMENT

Looking West

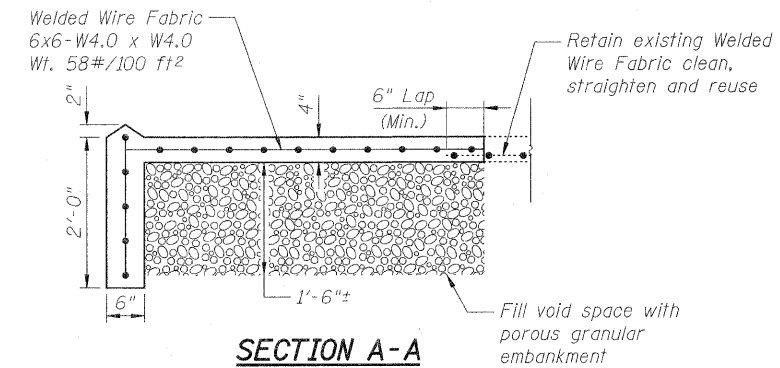


NORTHEAST ABUTMENT

Looking East

BILL OF MATERIAL

ITEM	UNIT	TOTAL
Porous Granular Embankment	Cu. Yd.	20
Slopedwall Removal	Sq. Yd.	14
Slopedwall, 4"	Sq. Yd.	14
Structural Repair of Concrete (Depth < 5")	Sq. Ft.	31
Structural Repair of Concrete (Depth > 5")	Sq. Ft.	84



LEGEND:

- Structural Repair of Concrete (Depth < 5")
- Structural Repair of Concrete (Depth > 5")
- Slopedwall Repair

Notes:

1. Slopedwall shall be reinforced with welded wire fabric, 6" x 6" W4.0 x W4.0, weighing 58 lbs. per 100 sq. ft.
2. Existing welded wire fabric to be cleaned by sandblasting to gray metal and incorporated into new construction. Lap existing and new welded wire fabric a minimum of 6".
3. Cost of Sawcuts and PJF included in the cost of Slope Wall, 4".
4. Removal limits and layout of the slope wall may be varied to suit ground conditions in field as directed by the Engineer.
5. A quantity of 20 cu. yds. of embankment has been estimated to fill the voids under the slope wall areas to be removed.

USER NAME = egergocoglu@rdg.Lisa	DESIGNED - A.Y./L.C.	REVISED -	HBP Illinois Partners	STATE OF ILLINOIS DEPARTMENT OF TRANSPORTATION	ABUTMENT AND SLOPEWALL REPAIR		F.A.I. RTE.	SECTION	COUNTY	TOTAL SHEETS	SHEET NO.
PLOT CONFIG = PDF(1-80_TopoGrey_Large).p	DRAWN - L.C./A.Y.	REVISED -			80	99 (4&4-1) RS-3	WILL	203	96		
PLOT SCALE = 1:5	CHECKED - A.Y./R.L.D.	REVISED -			CONTRACT NO. 60M66						
PLOT DATE = 2/8/2011	DATE - 01/21/2011	REVISED -			SCALE:	SHEET S4 OF S6	STA.	TO STA.	FED. ROAD DIST. NO. 1	ILLINOIS	FED. AID PROJECT