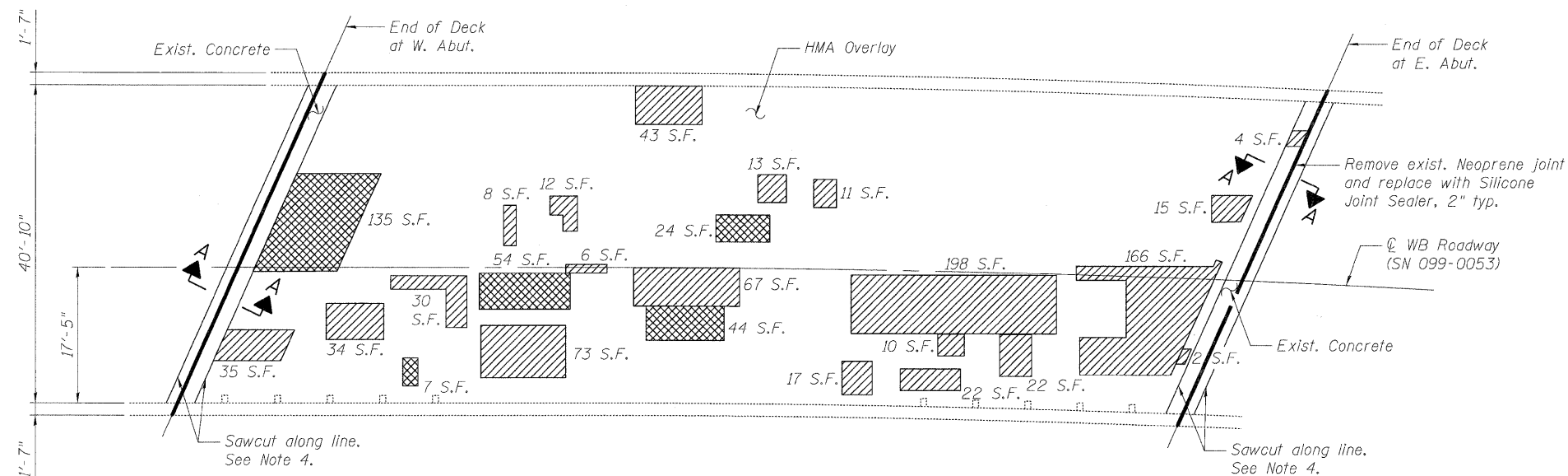


LEGEND

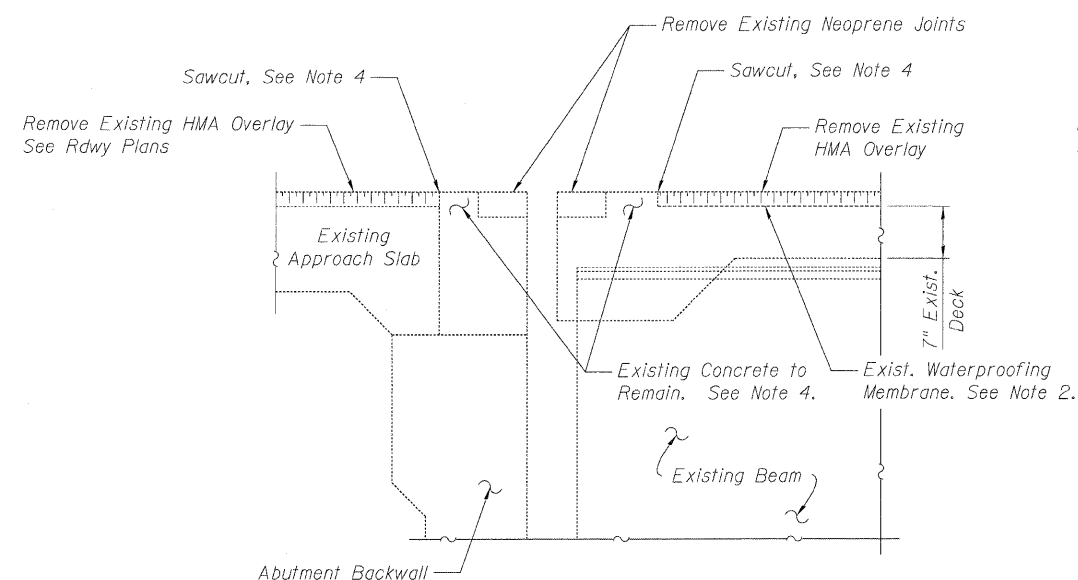
-  Deck Slab Repair (Partial)
-  Deck Slab Repair (Full Depth, Type II)

NOTES

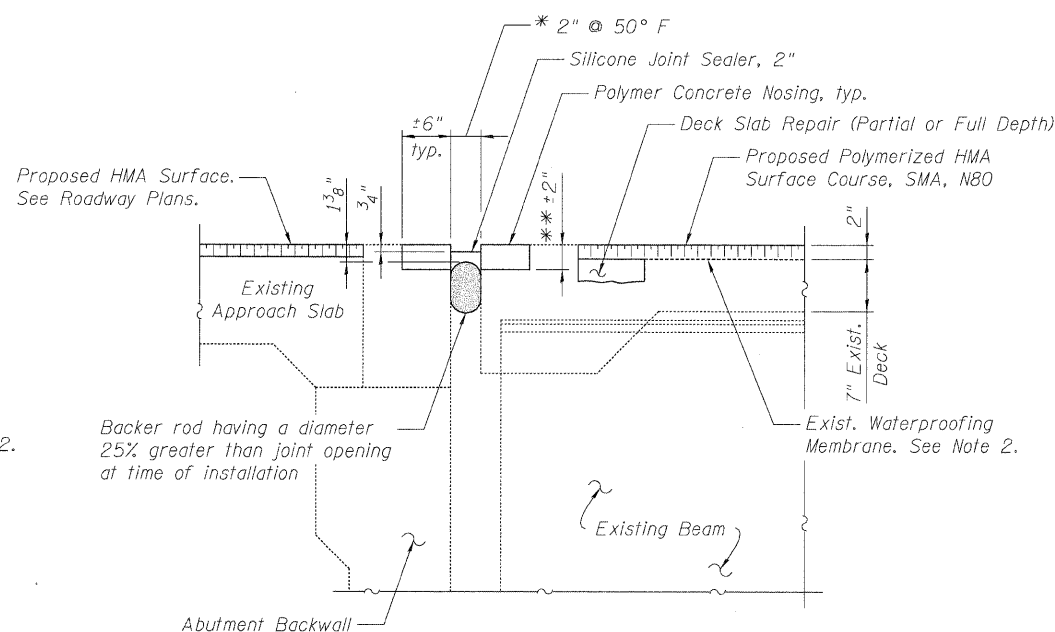
1. Removal of the existing Neoprene joint shall be included in the cost of Polymer Concrete. Existing studs to remain.
2. Contractor shall remove the existing asphalt overlay, and as necessary, adjust the milling depth to prevent damage to the existing waterproofing membrane. See Special Provision Hot-Mix Asphalt Surface Removal (Deck).
3. For existing concrete patches throughout the deck and approach slabs, the Contractor shall grind off the existing concrete patch flush with the existing top of deck/approach slab. This work shall be included in the cost of Hot-Mix Asphalt Surface Removal (Deck).
4. Existing concrete surface to remain. Areas requiring repairs shall be paid for as Deck Slab Repair (Full Depth, Type II). Sawcut edge to provide a uniform width in addition to a clean edge for HMA surface. Cost of sawcut shall be included in the cost of Hot-Mix Asphalt Surface Removal (Deck).
5. Contractor may remove and replace guardrail components to facilitate joint replacement work. Cost included with Silicone Joint Sealer, 2".
6. The deck slab repair concrete shall be placed to match the top of the existing waterproofing system adjacent to the repair area.
7. After completion of the deck slab repair work, the HMA surface course shall be placed in sufficient thickness in order to match the original surface elevation.



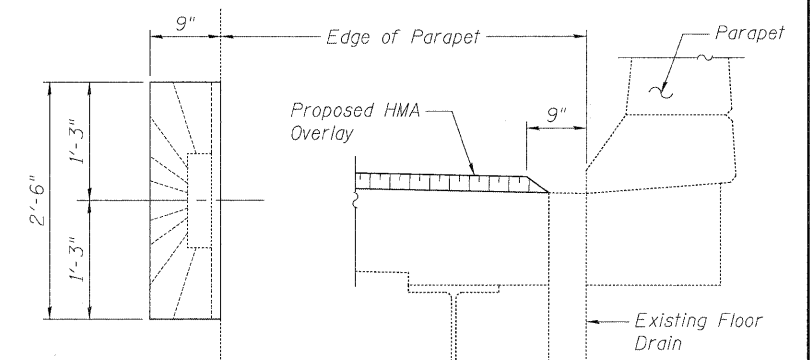
DECK SLAB REPAIR PLAN - WB



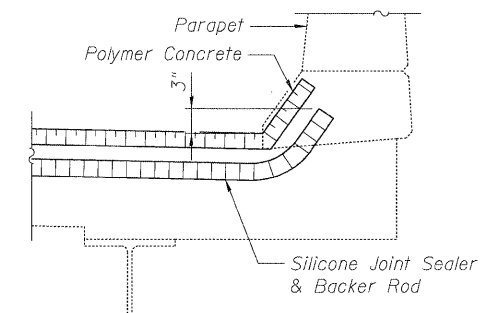
SECTION A-A
Existing Conditions
Dimensions are at Rt. Ls to \odot Abut.



SECTION A-A
Proposed Conditions
Dimensions are at Rt. Ls to \odot Abut.
* Match existing opening
** 1/2" min.



TOP PLAN **SECTION AT FLOOR DRAIN**
HMA OVERLAY AT FLOOR DRAIN



DETAIL FOR PARAPET TREATMENT

DESIGNED - DF	REVISED -
DRAWN - LAM	REVISED -
CHECKED - BLU	REVISED -
DATE - 1/20/2011	REVISED -



STATE OF ILLINOIS
DEPARTMENT OF TRANSPORTATION

DECK AND JOINT REPAIR DETAILS
WESTBOUND I-80 OVER CENTER STREET RAMP AA
STRUCTURE NO. 099-0053

SHEET NO. 5- 3 OF 5- 6 SHEETS

F.A.I. RTE.	SECTION	COUNTY	TOTAL SHEETS	SHEET NO.
80	9914&4-1RS-3	WILL	203	101
FED. ROAD DIST. NO.			ILLINOIS FED. AID PROJECT	

CONTRACT NO. 60M66