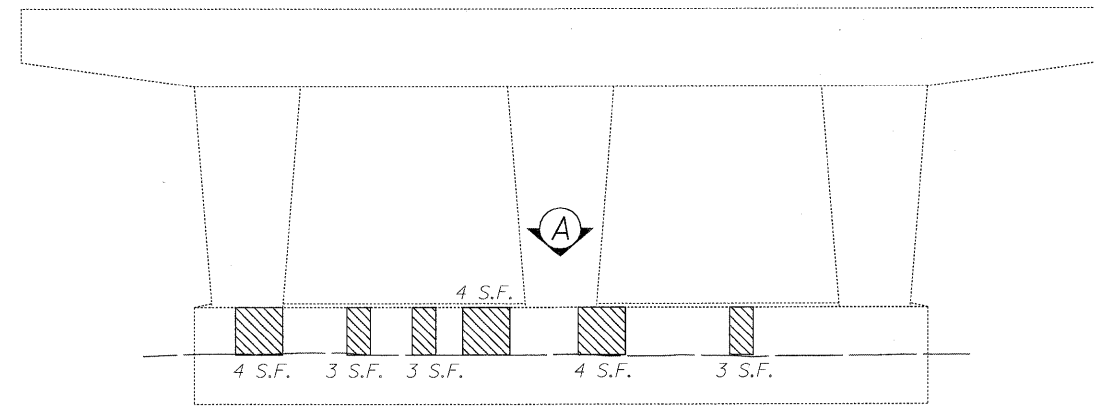
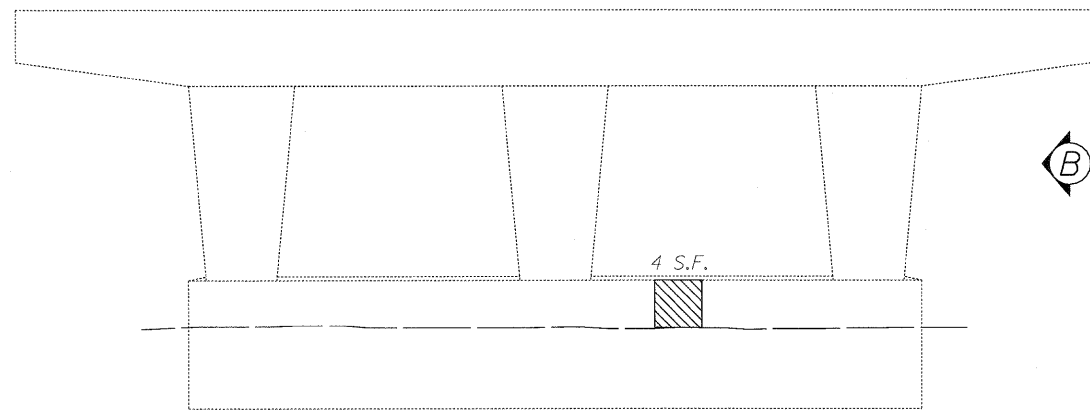


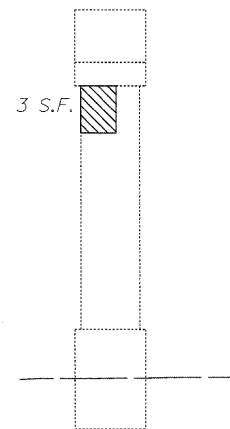
PIER 1 - WEST ELEVATION
Looking East



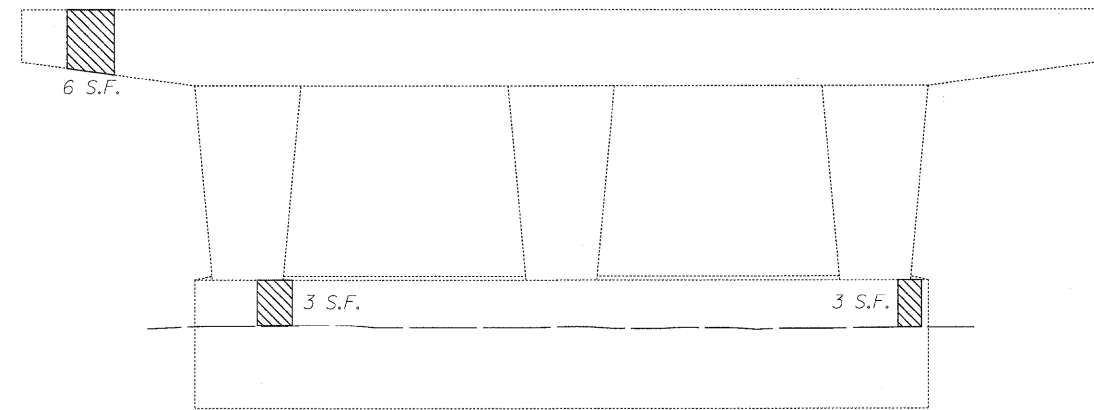
PIER 1 - EAST ELEVATION
Looking West



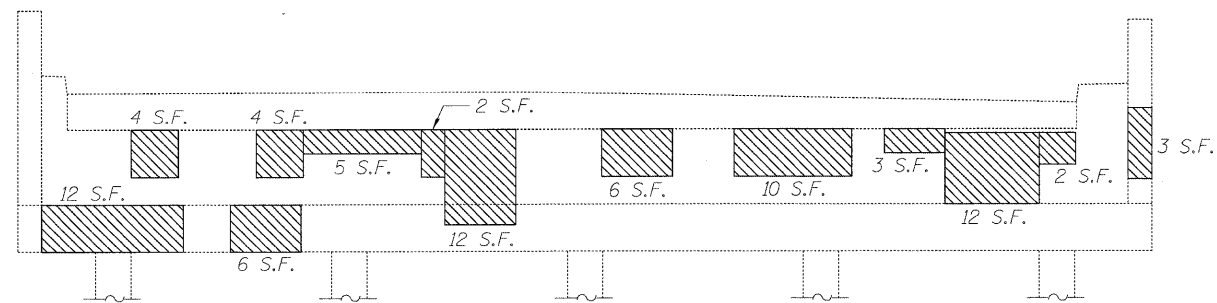
PIER 2 - WEST ELEVATION
Looking East



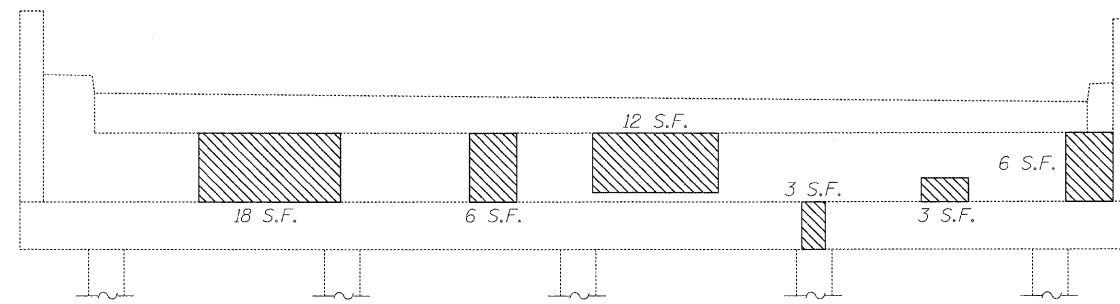
VIEW B



PIER 2 - EAST ELEVATION
Looking West



WEST ABUTMENT - ELEVATION
Looking West



EAST ABUTMENT - ELEVATION
Looking East

LEGEND

Structural Repair of Concrete
(Depth Less Than or Equal to 5")

DESIGNED - DF	REVISED -
DRAWN - LAM	REVISED -
CHECKED - BLU	REVISED -
DATE - 1/20/2011	REVISED -



STATE OF ILLINOIS
DEPARTMENT OF TRANSPORTATION

ABUTMENT AND PIER REPAIR DETAILS
WESTBOUND FAI-80 OVER CENTER STREET RAMP AA
STRUCTURE NO. 099-0053

SHEET NO. S-4 OF S-6 SHEETS

F.A.I. RTE.	SECTION	COUNTY	TOTAL SHEETS	SHEET NO.
80	99(4&4-1)RS-3	WILL	203	102
FED. ROAD DIST. NO.			ILLINOIS FED. AID PROJECT	