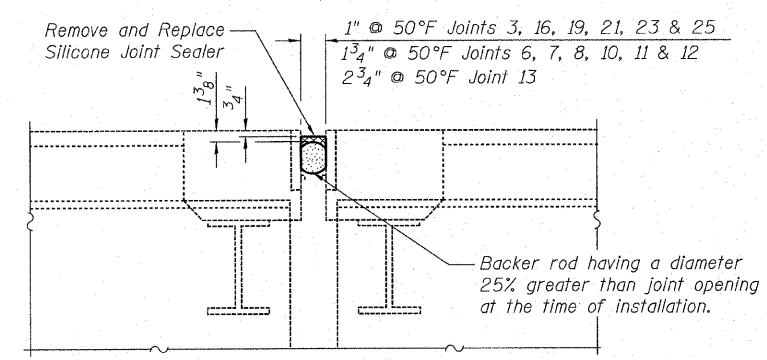
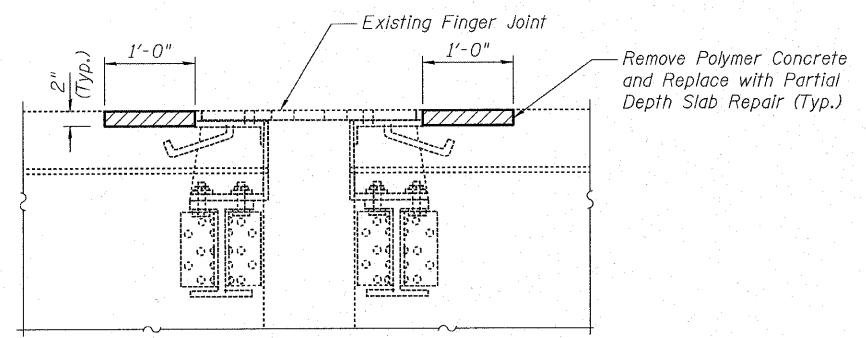


\* Joint 18: 8" width West Side of Joint  
Joint 20: 1'-8" width, West Side of Joint

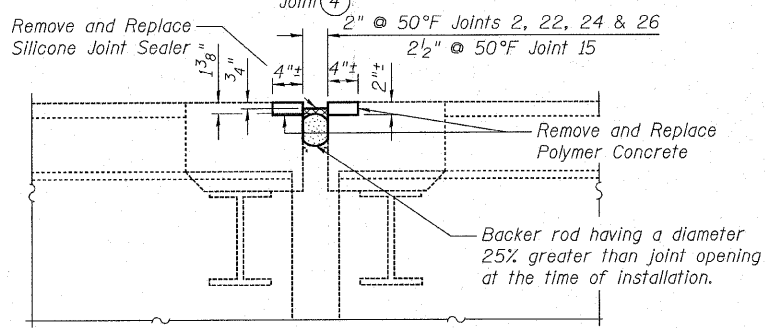
**PROPOSED TRANSVERSE JOINT**  
Joints (18) & (20)



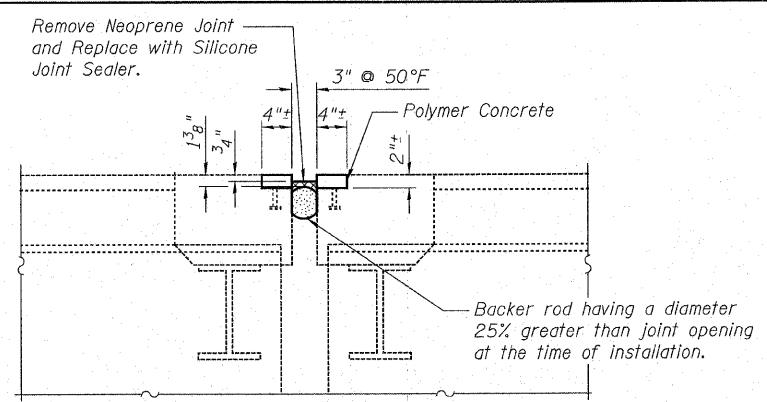
**PROPOSED TRANSVERSE JOINT**  
Joints (3, 6, 7, 8, 10, 11, 12, 13, 16, 19, 21, 23, 25)



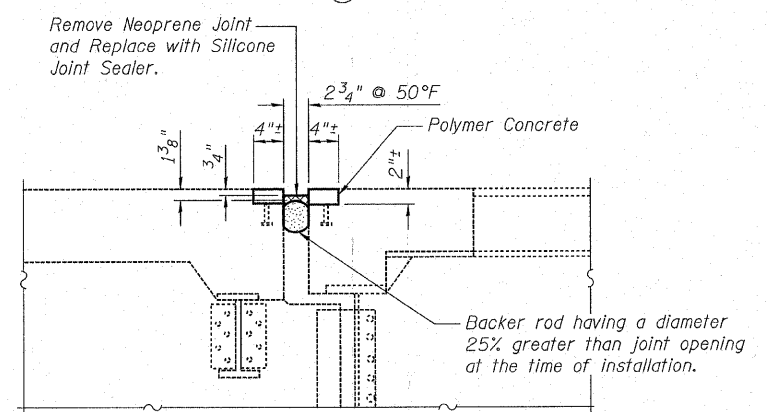
**PROPOSED TRANSVERSE JOINT**  
Joint (4)



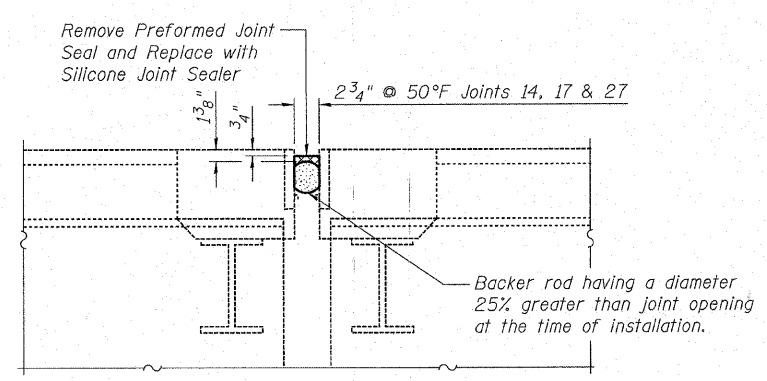
**PROPOSED TRANSVERSE JOINT**  
Joint (2, 15, 22, 24, 26)



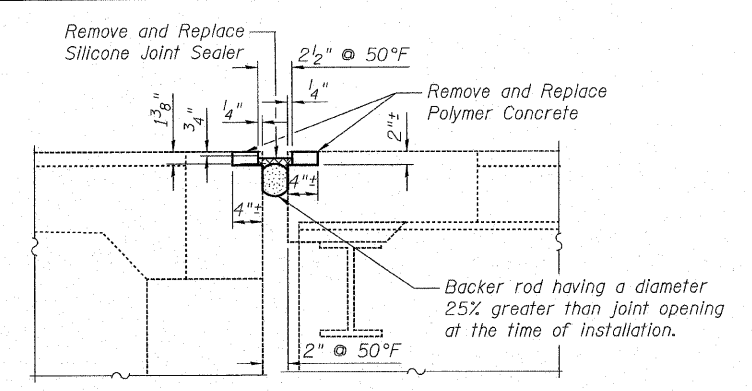
**PROPOSED TRANSVERSE JOINT**  
Joint (5)



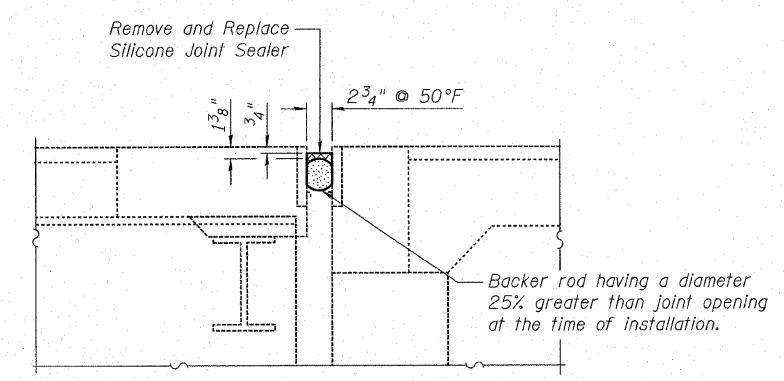
**PROPOSED TRANSVERSE JOINT**  
Joint (9)



**PROPOSED TRANSVERSE JOINT**  
Joints (14, 17) & (27)



**PROPOSED TRANSVERSE JOINT - WEST ABUTMENT**  
Joint (1)



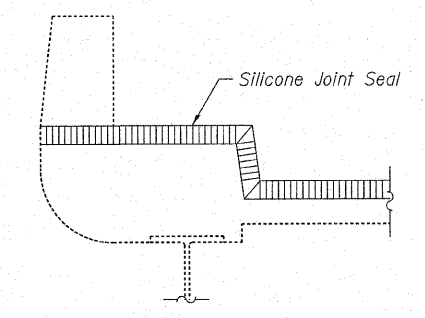
**PROPOSED TRANSVERSE JOINT - EAST ABUTMENT**  
Joint (28)

**BILL OF MATERIAL**

ITEM	UNIT	TOTAL
Silicone Joint Sealer, 1"	Foot	318
Silicone Joint Sealer, 1.75"	Foot	289
Silicone Joint Sealer, 2.5"	Foot	357
Silicone Joint Sealer, 2.75"	Foot	425
Silicone Joint Sealer, 3"	Foot	50
Polymer Concrete	Cu. Ft.	49
Deck Slab Repair (Partial)	Sq.Yd.	21

**NOTES:**

1. Removal of existing joint material shall be included in the cost of Silicone Joint Sealer.
2. Provide 1/4" chamfer at top corner of polymer concrete adjacent to opening.
3. Removal of existing concrete and polymer concrete is included in the cost of Polymer Concrete.
4. For location of joints, see Sheet S-1 and S-2 of 35.
5. Limit of removal and replacement of polymer concrete is curb to curb.



**TYPICAL END OF SEAL TREATMENT**

(Silicone Joint Seal)  
Approach Spans Shown, Truss Spans Similar.

**LEGEND:**

- Deck Slab Repair (Partial)
- Joint repair type designation

USER NAME = lkalita	DESIGNED - RCW	REVISED -
PLOT SCALE = 1:1	DRAWN - RCW	REVISED -
PLOT DATE = 08-FEB-2011	CHECKED - PCA	REVISED -
	DATE = 2/8/2011	REVISED -



**STATE OF ILLINOIS**  
**DEPARTMENT OF TRANSPORTATION**

**DECK JOINT REPAIRS**  
**WESTBOUND I-80 OVER DES PLAINES RIVER**  
**STRUCTURE NO. 099-0057**  
SHEET NO. S-7 OF 35 SHEETS

F.A.I. RTEL 80	SECTION 99 (4&4-1) RS-3	COUNTY WILL	TOTAL SHEETS 203	SHEET NO. 116
FED. ROAD DIST. NO. 1 ILLINOIS FED. AID PROJECT			CONTRACT NO. 60M66	

FILE NAME = IP\_PWP\dms34565\0990057-60M66-887-Joints.dgn