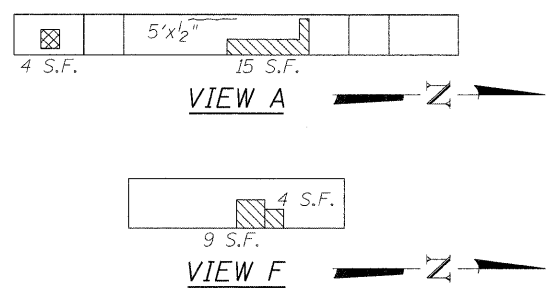
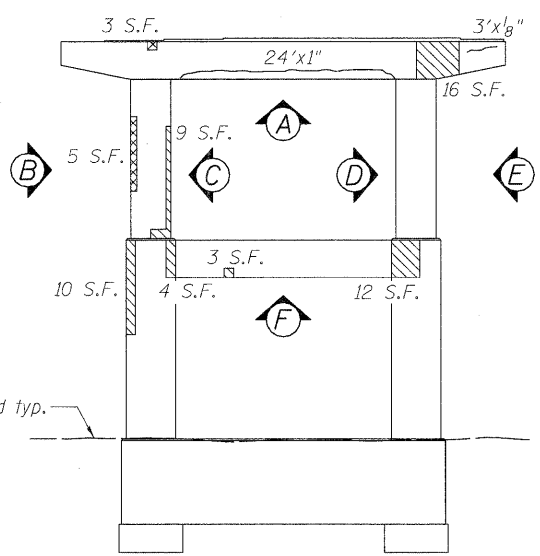


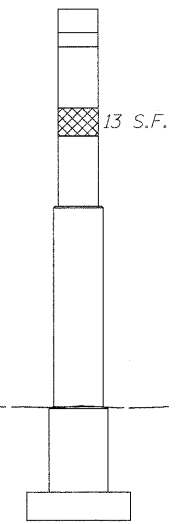
**WEST ELEVATION**  
(Looking East)



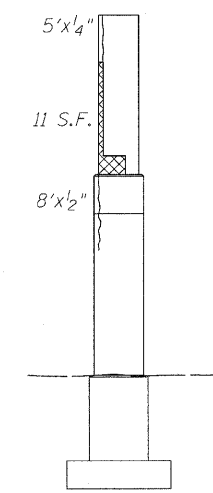
**PIER 5**



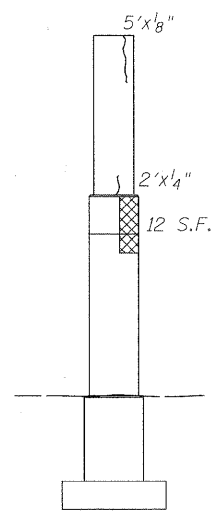
**EAST ELEVATION**  
(Looking West)



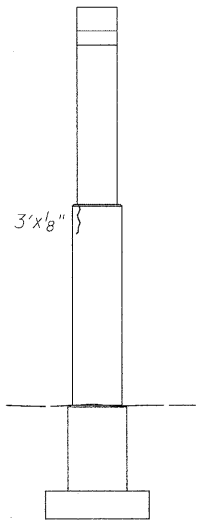
**VIEW B**



**VIEW C**



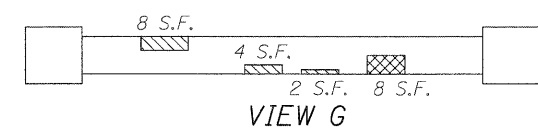
**VIEW D**



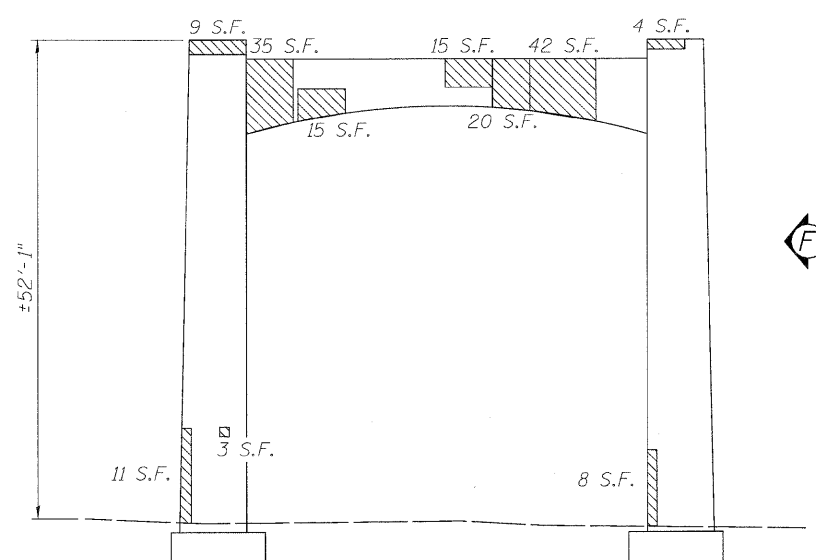
**VIEW E**

Structural Repair of Concrete (Depth < 5") = 98 Sq. Ft.  
 Structural Repair of Concrete (Depth > 5") = 113 Sq. Ft.  
 Epoxy Crack Injection

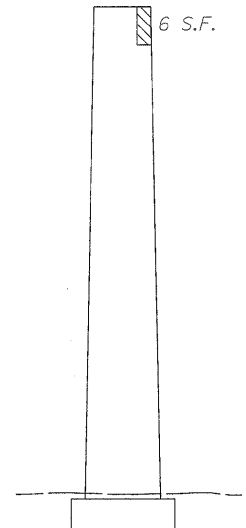
NOTES: See Sheet S-20 for Temporary Shoring and Cribbing, Special locations.



**VIEW G**

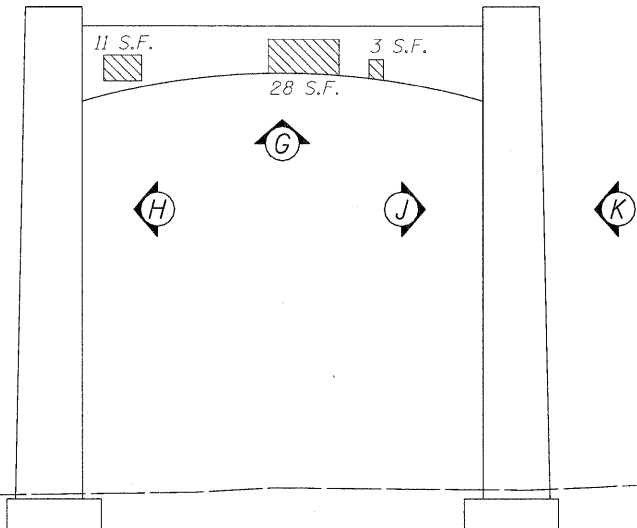


**WEST ELEVATION**  
(Looking East)

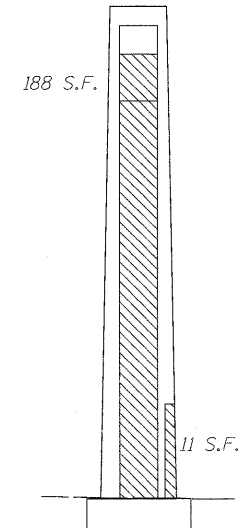


**VIEW F**

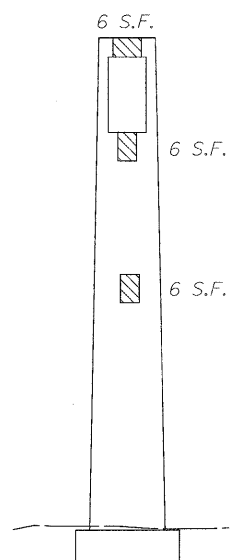
Existing Ground typ.



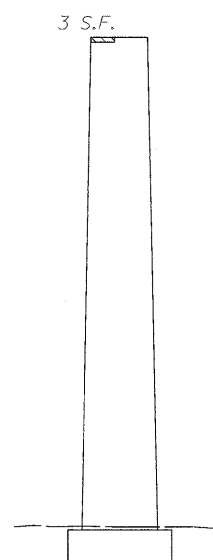
**EAST ELEVATION**  
(Looking West)



**VIEW H**



**VIEW J**



**VIEW K**

Structural Repair of Concrete (Depth < 5") = 444 Sq. Ft.  
 Structural Repair of Concrete (Depth > 5") = 8 Sq. Ft.

**PIER 6**

DESIGNED - DF	REVISED -
USER NAME = Inueller	DRAWN - LAM
PLOT SCALE = NTS	CHECKED - BLU
PLOT DATE = 1/9/2011 2:48:33 PM	DATE - 1/20/2011



**STATE OF ILLINOIS**  
**DEPARTMENT OF TRANSPORTATION**

**PIER REPAIR DETAILS**  
**WESTBOUND FAI-80 OVER DES PLAINES RIVER**  
**STRUCTURE NO. 099-0057**

SHEET NO. S-25 OF S-35 SHEETS

F.A.I. RTE.	SECTION	COUNTY	TOTAL SHEETS	SHEET NO.
80	99(4&4-1)RS-3	WILL	203	134
FED. ROAD DIST. NO. [ILLINOIS] FED. AID PROJECT			CONTRACT NO. 60M66	