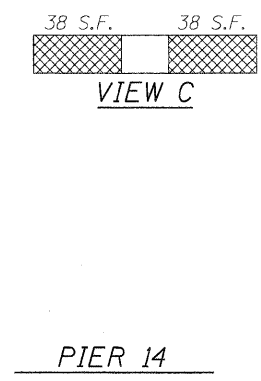
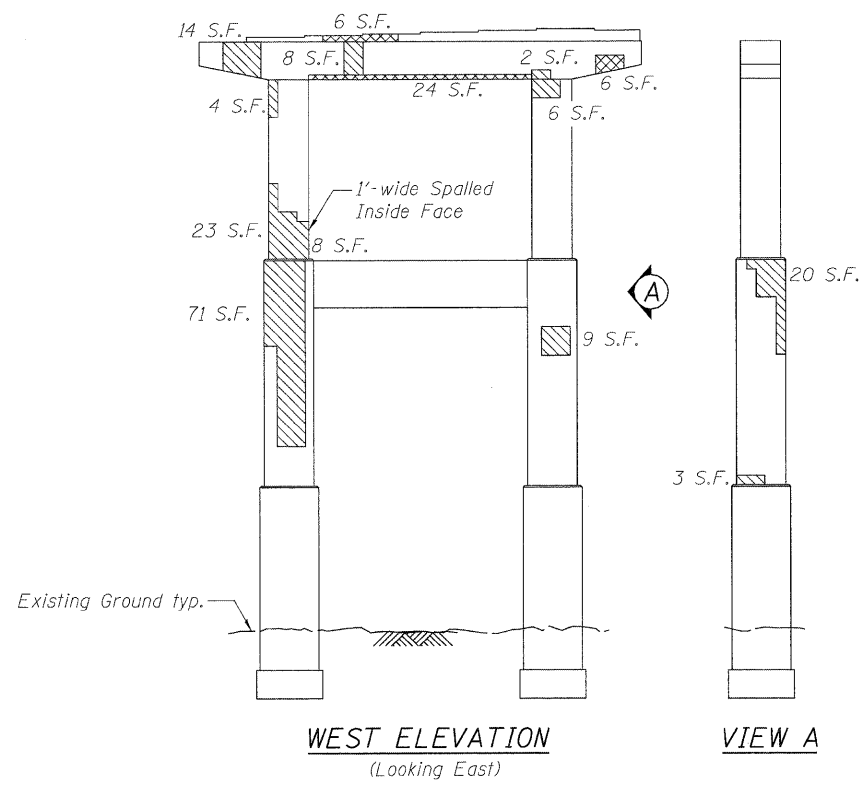
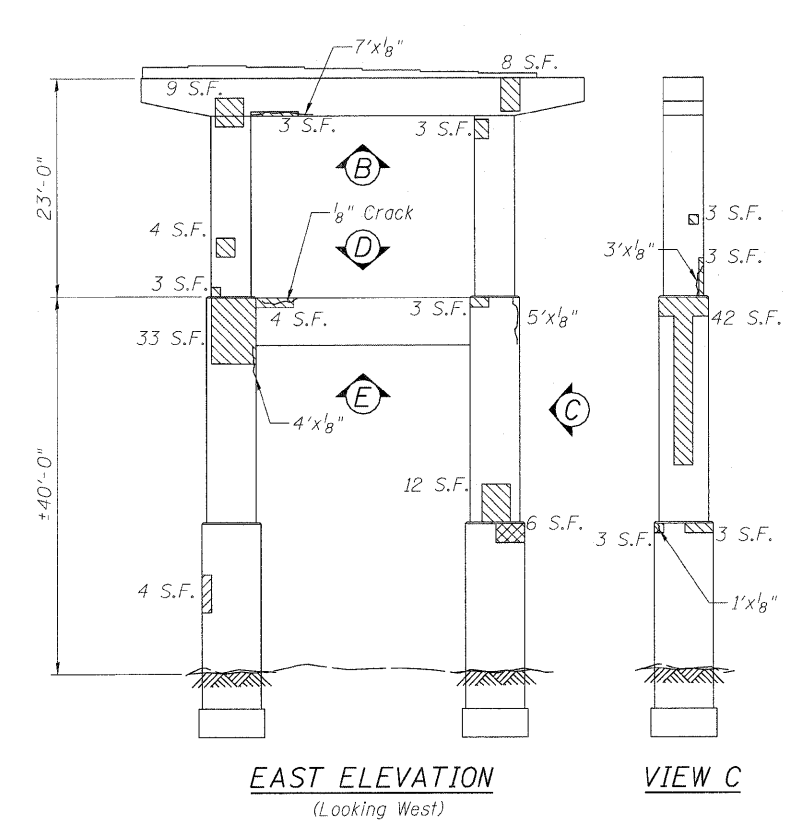


Structural Repair of Concrete (Depth < 5") = 199 Sq. Ft.

Structural Repair of Concrete (Depth > 5") = 9 Sq. Ft.

Epoxy Crack Injection

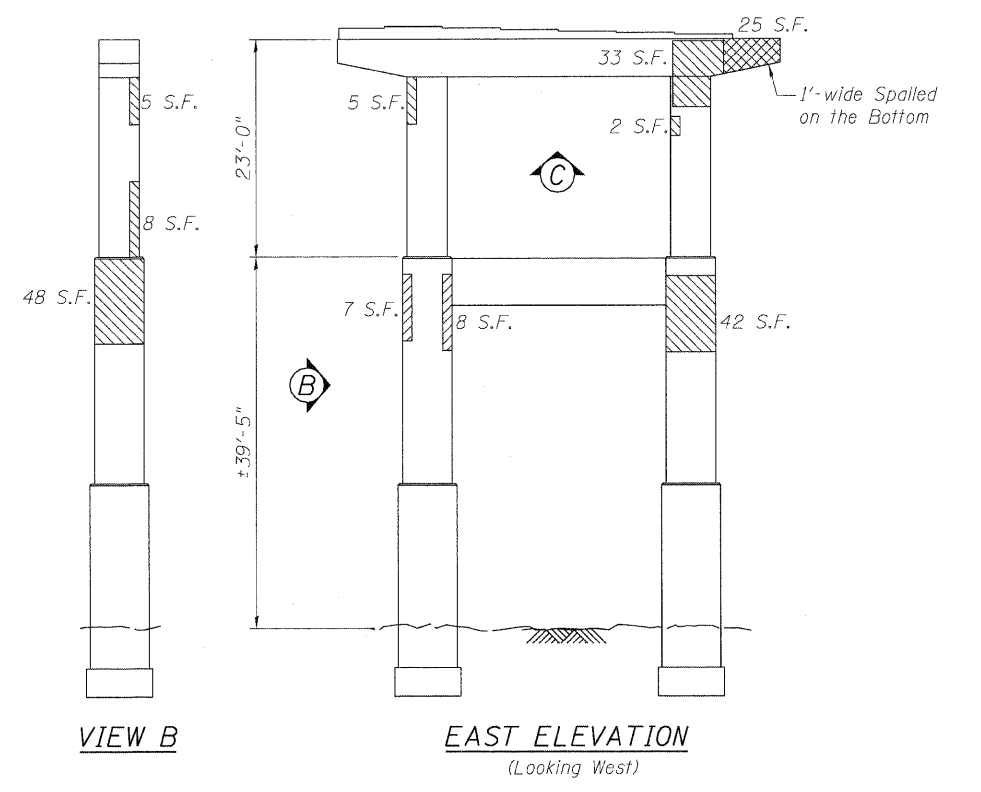
NOTES: See Sheet S-20 for Temporary Shoring and Cribbing, Special locations.



Structural Repair of Concrete (Depth < 5") = 326 Sq. Ft.

Structural Repair of Concrete (Depth > 5") = 137 Sq. Ft.

NOTES: See Sheet S-20 for Temporary Shoring and Cribbing, Special locations.



USER NAME = tmueller	DESIGNED - DF	REVISED -		STATE OF ILLINOIS DEPARTMENT OF TRANSPORTATION	PIER REPAIR DETAILS WESTBOUND FAI-80 OVER DES PLAINES RIVER STRUCTURE NO. 099-0057	F.A.I. RTE.	SECTION	COUNTY	TOTAL SHEETS	SHEET NO.
PLOT SCALE = NTS	DRAWN - LAM	REVISED -				80	99(4&4-1)RS-3	WILL	203	138
PLOT DATE = 1/19/2011 2:46:08 PM	CHECKED - BLU	REVISED -				CONTRACT NO. 60M66				
DATE = 1/20/2011	DATE = 1/20/2011	REVISED -				FED. ROAD DIST. NO. ILLINOIS FED. AID PROJECT				

SHEET NO. S-29 OF S-35 SHEETS