

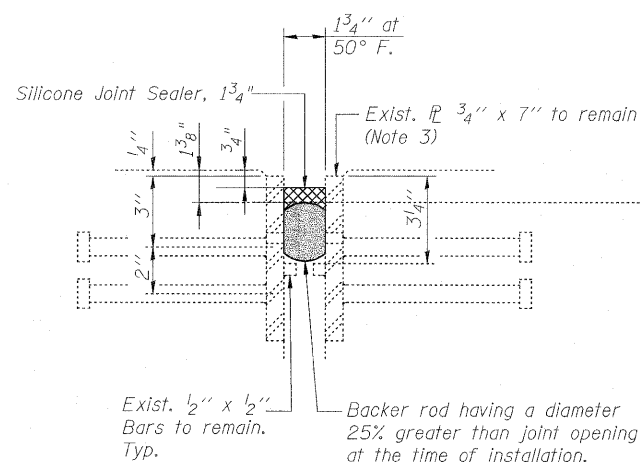
PLAN

BILL OF MATERIAL

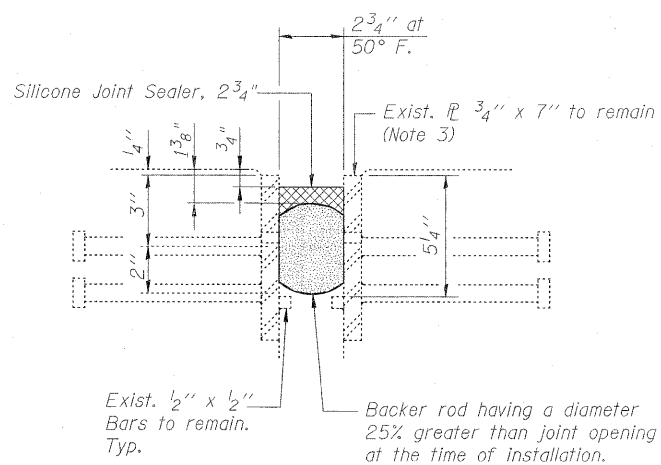
ITEM	UNIT	TOTAL
Deck Slab Repair (Full Depth, Type II)	Sq. Yd.	86
Deck Slab Repair (Partial)	Sq. Yd.	149
Silicone Joint Sealer, 1"	Foot	63
Silicone Joint Sealer, 1 3/4"	Foot	126
Silicone Joint Sealer, 2 3/4"	Foot	63

LEGEND:

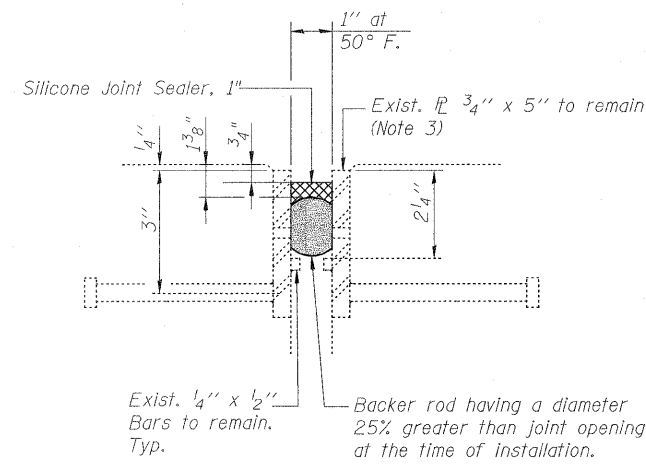
- Deck Slab Repair (Partial)
- Deck Slab Repair (Full Depth, Type II)



SECTION A-A
(At Abutments)

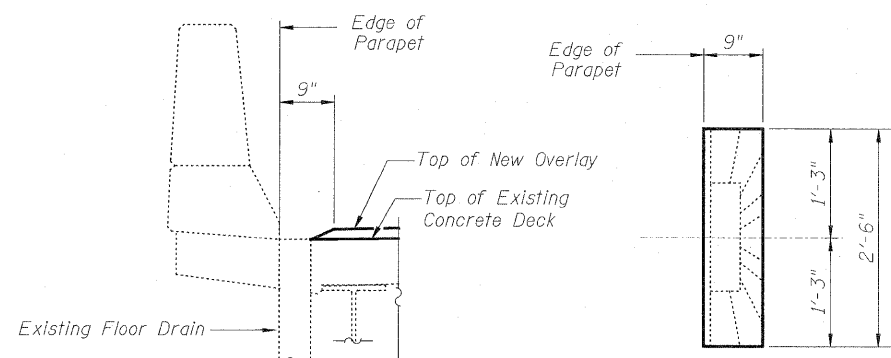


SECTION B-B
(At Pier 1)



SECTION C-C
(At Pier 2)

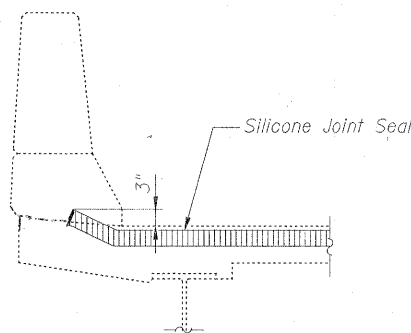
DECK EXPANSION JOINT DETAILS



SECTION AT FLOOR DRAIN

TOP PLAN

OVERLAY TREATMENT AT FLOOR DRAIN



TYPICAL END OF SEAL TREATMENT

Notes:

1. See General Note 3 on Sheet S1 of S7.
2. Removal and disposal of the existing joint fillers and neoprene seals will be included with the cost of Silicone Joint Sealer, of the size specified.
3. Existing plates to be cleaned prior to installation of backer rod. Cost included with Silicone Joint Sealer, of the size specified.
4. Deck Slab Repair concrete shall be placed up to top of existing waterproofing membrane system. Cost included with Deck Slab Repair, of the type specified.
5. The Contractor shall grind off any existing concrete patches flush with the existing waterproofing membrane system. Cost included with Hot-Mix Asphalt Surface Removal (Deck).

USER NAME = eajergicoglu(Rdw_Lt1e)	DESIGNED - A.Y./L.C.	REVISED -
PLOT CONFIG= PDF(I-80_TopoGrey_Large).p	DRAWN - L.C./A.Y.	REVISED -
PLOT SCALE = 1/16	CHECKED - A.Y./R.L.D.	REVISED -
PLOT DATE = 2/8/2011	DATE - 01/20/2011	REVISED -



STATE OF ILLINOIS
DEPARTMENT OF TRANSPORTATION

DECK AND EXPANSION JOINT REPAIRS
WESTBOUND I-80 OVER IL ROUTE 53 (CHICAGO STREET)
SN 099-0058

SCALE: SHEET S3 OF S7 STA. TO STA.

F.A.I. RTE.	SECTION	COUNTY	TOTAL SHEETS	SHEET NO.
80	99 (4&4-1) RS-3	WILL	203	147
FED. ROAD DIST. NO. 1 ILLINOIS FED. AID PROJECT				CONTRACT NO. 60M66