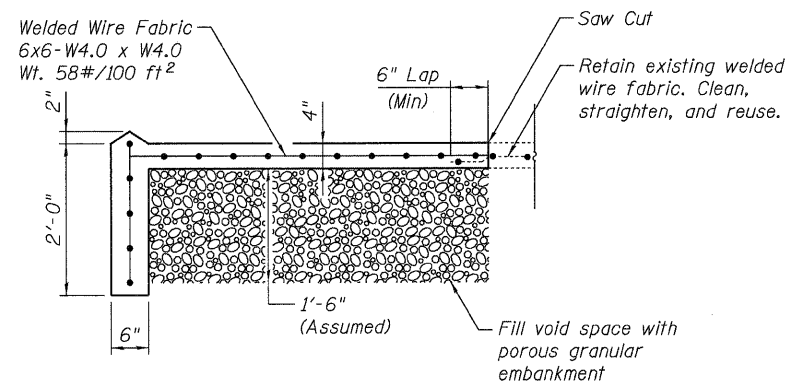
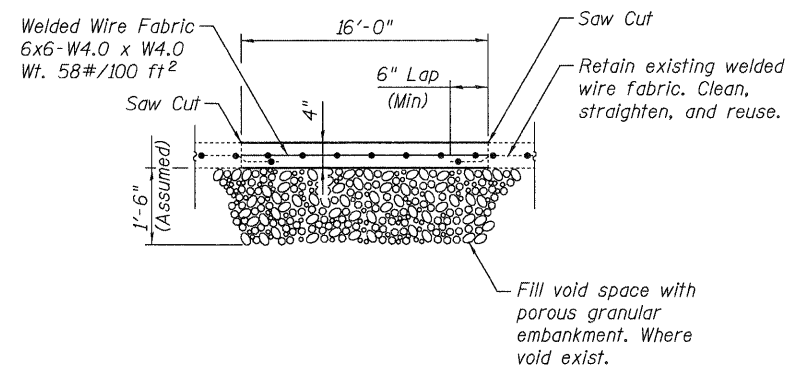


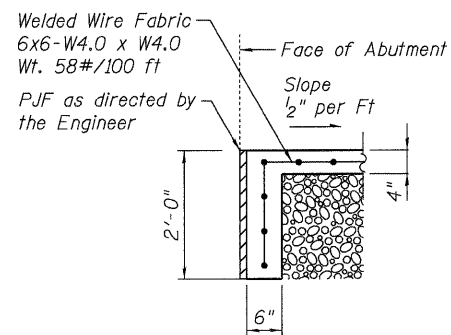
PLAN - WEST SLOPEWALL



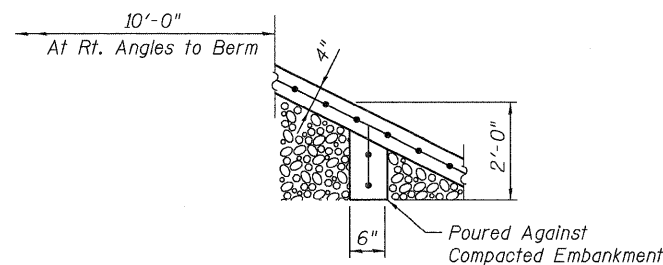
SECTION A-A



SECTION B-B



SECTION C-C



SECTION D-D

BILL OF MATERIAL

ITEM	UNIT	TOTAL
Porous Granular Embankment	Cu.Yd.	80
Slope Wall Removal	Sq.Yd.	160
Slope Wall 4 Inch	Sq.Yd.	160

LEGEND:

Slopewall Remove and Replace

NOTES:

1. Areas of proposed slope wall removal and replacement are estimated. Actual location and dimensions are to be determined by the Engineer during construction.
2. Cost of saw cuts and P.J.F. included in the cost of Slope Wall 4 Inch.

DESIGNED - PCA	REVISED -
USER NAME = Isupencheck	DRAWN - LK
PLOT SCALE = 1:1	CHECKED - MEA
PLOT DATE = 19-JAN-2011	DATE = 1/21/2011
FILE NAME = IP_PWP\dms34565\0990061-60M66-007-SLOPEW.VB.DGN	



STATE OF ILLINOIS
DEPARTMENT OF TRANSPORTATION

SLOPEWALL REPAIRS
WESTBOUND FAI-80 OVER RAILROAD/GARDNER STREET
STRUCTURE NO. 099-0061
SHEET NO. S-7 OF 14 SHEETS

F.A.I. RTE.	SECTION	COUNTY	TOTAL SHEETS	SHEET NO.
80	99 (4&4-1) RS-3	WILL	203	158
CONTRACT NO. 60M66			FED. ROAD DIST. NO. 1 ILLINOIS FED. AID PROJECT	