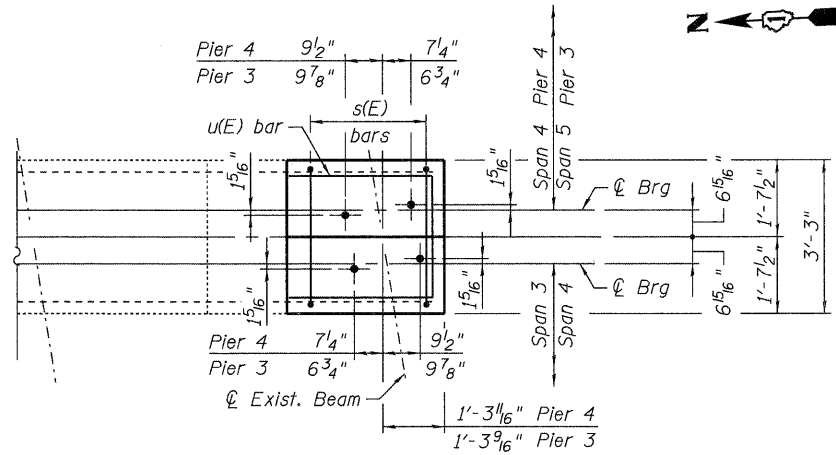
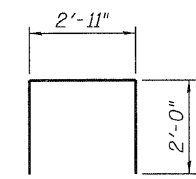


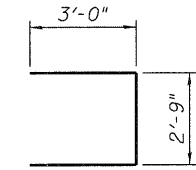
EXISTING



PROPOSED



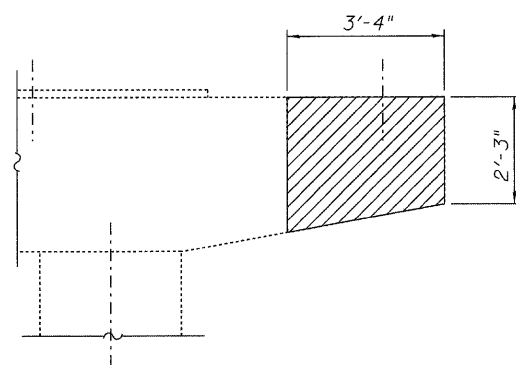
BAR s(E)



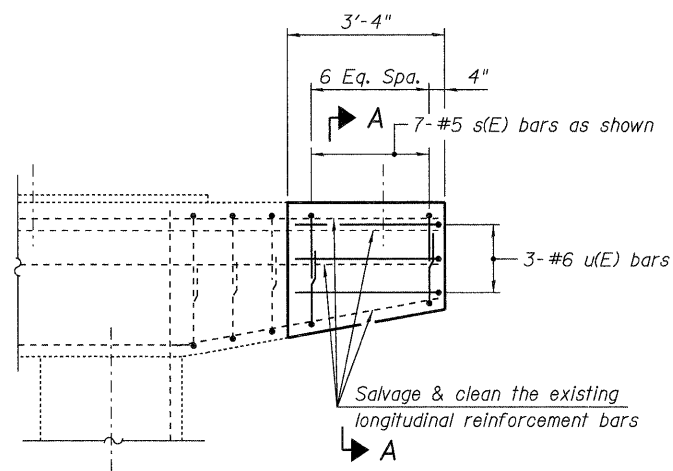
BAR u(E)

BILL OF MATERIAL

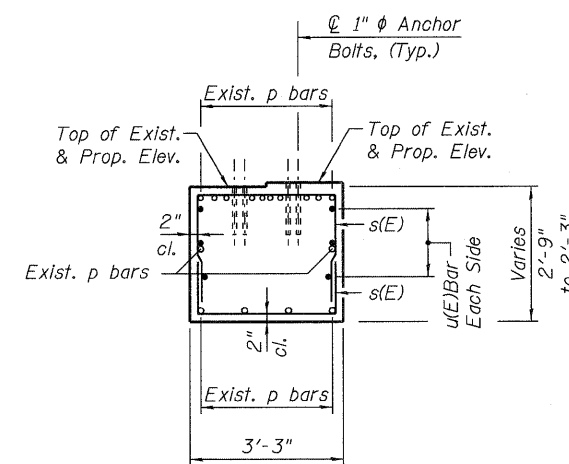
Bar	No.	Size	Length	Shape	
s(E)	28	#5	6'-11"	□	
u(E)	6	#6	8'-9"	□	
Reinforcement Bars, Epoxy Coated				Pound	284
Concrete Structures				Cu. Yd.	2.0
Concrete Removal				Cu. Yd.	2.0



EXISTING



PROPOSED



SECTION A-A

PLAN

ELEVATION

LEGEND:

Concrete Removal

NOTES:

1. Space reinforcement in cap to miss anchor bolts.
2. Drill holes in cap for anchor bolts and install bolts per Standard Specifications.