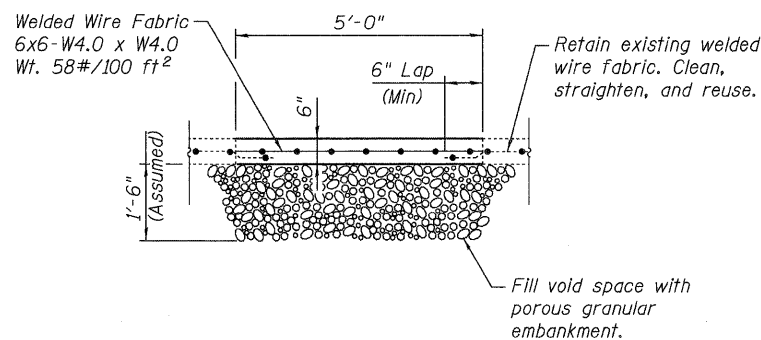


PLAN - WEST SLOPEWALL

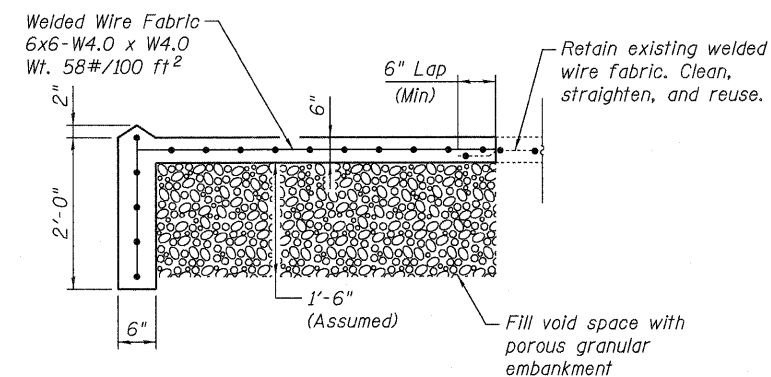
PLAN - EAST SLOPEWALL

LEGEND:

Remove and Replace



SECTION B-B



SECTION A-A

BILL OF MATERIAL

ITEM	UNIT	TOTAL
Porous Granular Embankment	Cu.Yd.	67
Slope Wall Removal	Sq.Yd.	133
Slope Wall 6 Inch	Sq.Yd.	133

NOTES:

- Areas of proposed slopewall removal and replacement are estimated. Actual location and dimensions are to be determined by the Engineer during construction.
- Cost of saw cuts and P.J.F. included in the cost of Slope Wall 6 Inch.

DESIGNED - PCA	REVISIONS		<b>STATE OF ILLINOIS</b> <b>DEPARTMENT OF TRANSPORTATION</b>	<b>SLOPEWALL REPAIRS</b> <b>WESTBOUND FAI-80 OVER HICKORY CREEK</b> <b>STRUCTURE NO. 099-0063</b>	F.A.I. RTE.	SECTION	COUNTY	TOTAL SHEETS	SHEET NO.
USER NAME = lsupenocheck	DRAWN - LK				80	99 (4&4-1) RS-3	WILL	203	170
PLOT SCALE = 1:1	CHECKED - MEA				CONTRACT NO. 60M66				
PLOT DATE = 19-JAN-2011	DATE - 01/21/2011				FED. ROAD DIST. NO. 1 [ILLINOIS] FED. AID PROJECT				
FILE NAME = IP_PWP\dms34565\0990063-60M66-005-SLOPEW.DGN				SHEET NO. S-5 OF 8 SHEETS					