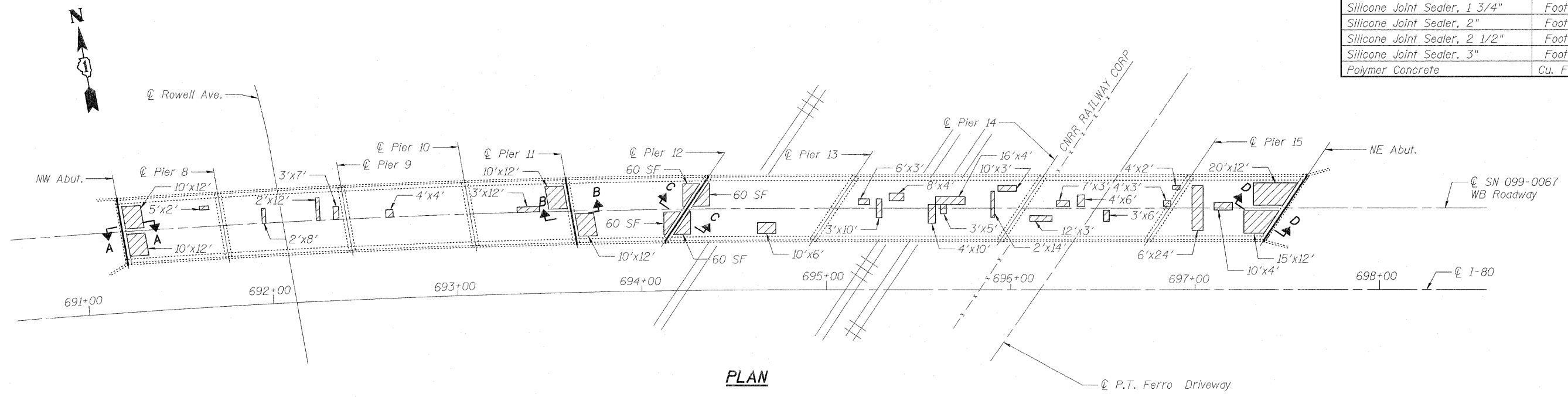
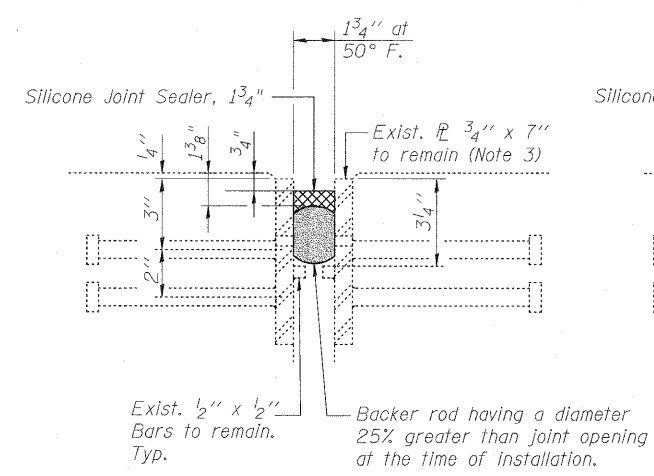


**BILL OF MATERIAL**

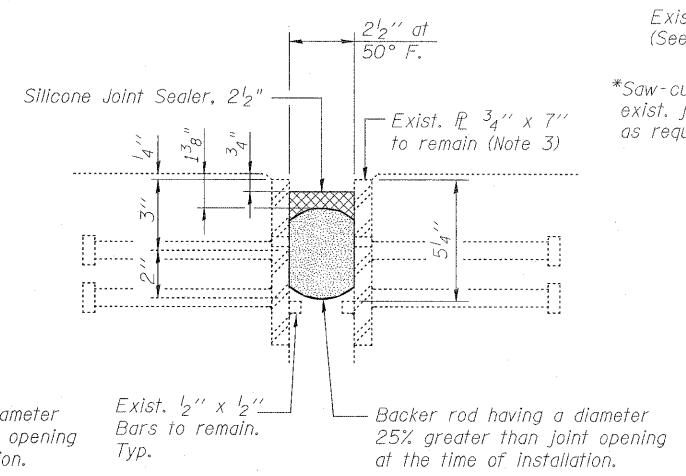
ITEM	UNIT	TOTAL
Deck Slab Repair (Partial)	Sq. Yd.	223
Silicone Joint Sealer, 1 3/4"	Foot	37
Silicone Joint Sealer, 2"	Foot	44
Silicone Joint Sealer, 2 1/2"	Foot	37
Silicone Joint Sealer, 3"	Foot	44
Polymer Concrete	Cu. Ft.	13



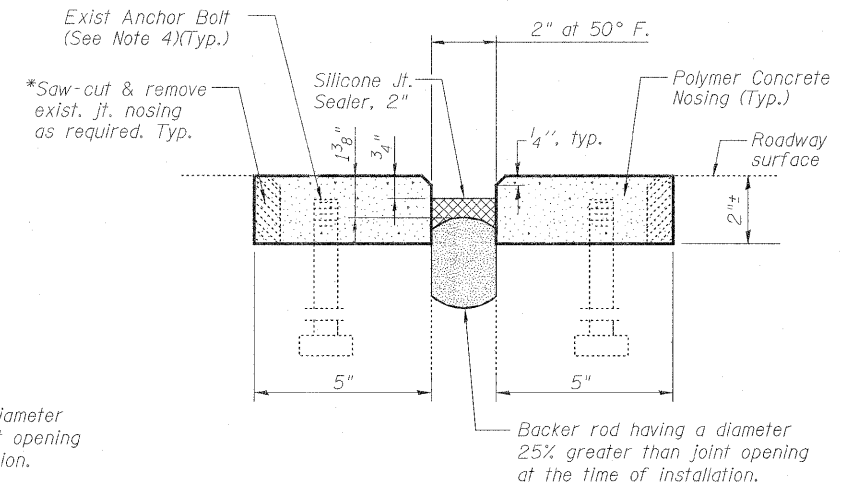
**PLAN**



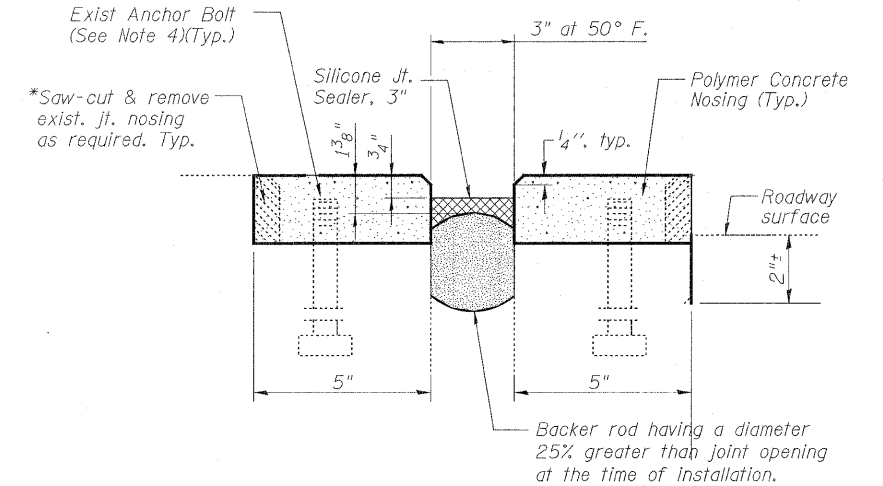
**SECTION A-A**  
(At Northwest Abutment)



**SECTION B-B**  
(At Pier 11)



**SECTION C-C**  
(At Pier 12)



**SECTION D-D**  
(At Northeast Abutment)

**DECK EXPANSION JOINT DETAILS**

\* Cost included with Polymer Concrete.

- Notes:
- See General Note 4 on Sheet S2 of S8.
  - Removal and disposal of the existing joint fillers and neoprene seals will be included with the cost of Silicone Joint Sealer, of the size specified.
  - Existing plates to be cleaned prior to installation of backer rod. Cost included with Silicone Joint Sealer, of the size specified.
  - Existing anchor bolts to remain and to be incorporated into the Polymer Concrete. Cost included with Polymer Concrete.

**LEGEND:**

Deck Slab Repair (Partial)

USER NAME = ajiang@egllm(Rdwy_L1s1e)	DESIGNED - A.Y./L.C.	REVISED -	<b>HBP</b> Illinois Partners	<b>STATE OF ILLINOIS</b> <b>DEPARTMENT OF TRANSPORTATION</b>	<b>DECK AND EXPANSION JOINT REPAIRS</b> <b>WESTBOUND I-80 OVER CNRR AND ROWELL AVENUE</b> <b>SN 099-0067</b>			F.A.I. RTE.	SECTION	COUNTY	TOTAL SHEETS	SHEET NO.
PLOT CONFIG = PDF11-60_Topo0reg_Large1.plt	DRAWN - L.C./A.Y.	REVISED -			80	99 (4&4-1) RS-3	WILL	203	182			
PLOT SCALE = 1:30	CHECKED - A.Y./R.L.D.	REVISED -			CONTRACT NO. 60M66							
PLOT DATE = 2/8/2011	DATE - 01/20/2011	REVISED -			SCALE:	SHEET S3 of S8	STA.	TO STA.	FED. ROAD DIST. NO. 1 ILLINOIS FED. AID PROJECT			