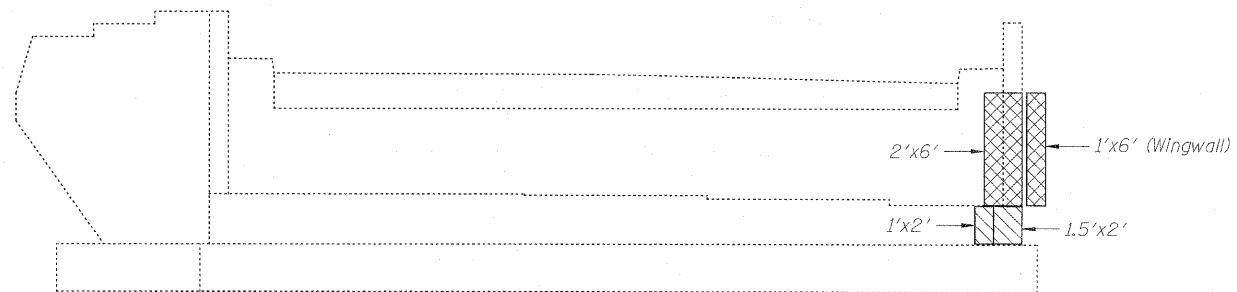
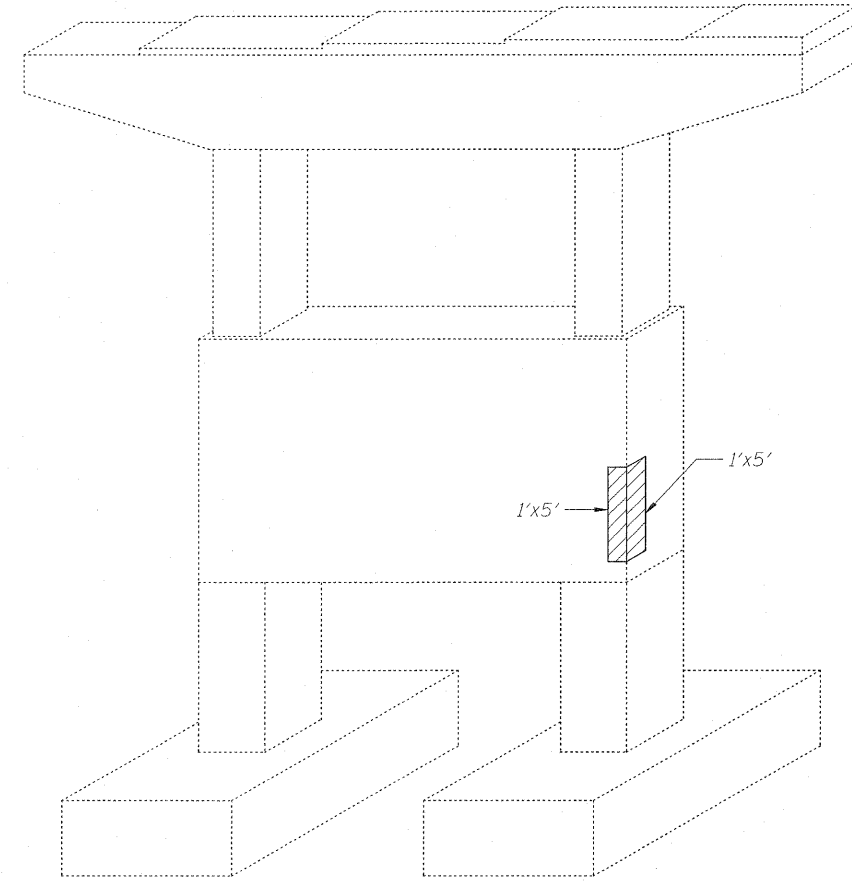


NORTHWEST ABUTMENT



NORTHEAST ABUTMENT



PIER 13
EAST FACE

LEGEND:

- Structural Repair of Concrete (Depth > 5")
- Structural Repair of Concrete (Depth < 5")

BILL OF MATERIAL

ITEM	UNIT	TOTAL
Structural Repair of Concrete (Depth ≤ 5")	Sq. Ft.	23
Structural Repair of Concrete (Depth > 5")	Sq. Ft.	18

USER NAME = a\ergicog\l\rd\ey...l\le	DESIGNED - A.Y./L.C.	REVISED -	 STATE OF ILLINOIS DEPARTMENT OF TRANSPORTATION	ABUTMENT AND PIER REPAIRS WESTBOUND I-80 OVER CNRR AND ROWELL AVENUE SN 099-0067		F.A.I. RTE.	SECTION	COUNTY	TOTAL SHEETS	SHEET NO.
PLOT CONFIG= PDFI1-80_TopoGrey_Large.plt	DRAWN - L.C./A.Y.	REVISED -		80	99 (4&4-1) RS-3	WILL	203	183		
PLOT SCALE = 1:5	CHECKED - A.Y./R.L.D.	REVISED -		CONTRACT NO. 60M66						
PLOT DATE = 2/8/2011	DATE - 01/20/2011	REVISED -		FED. ROAD DIST. NO. 1 ILLINOIS FED. AID PROJECT						
SCALE: SHEET S4 of S8 STA. TO STA.										

q:\dot\21050.005 (1-80 phase 1)\drawings\cadd sheets\bridge p8e\rowell\wb\099-0067-DIG0M66-Abutment-Rowell.dgn