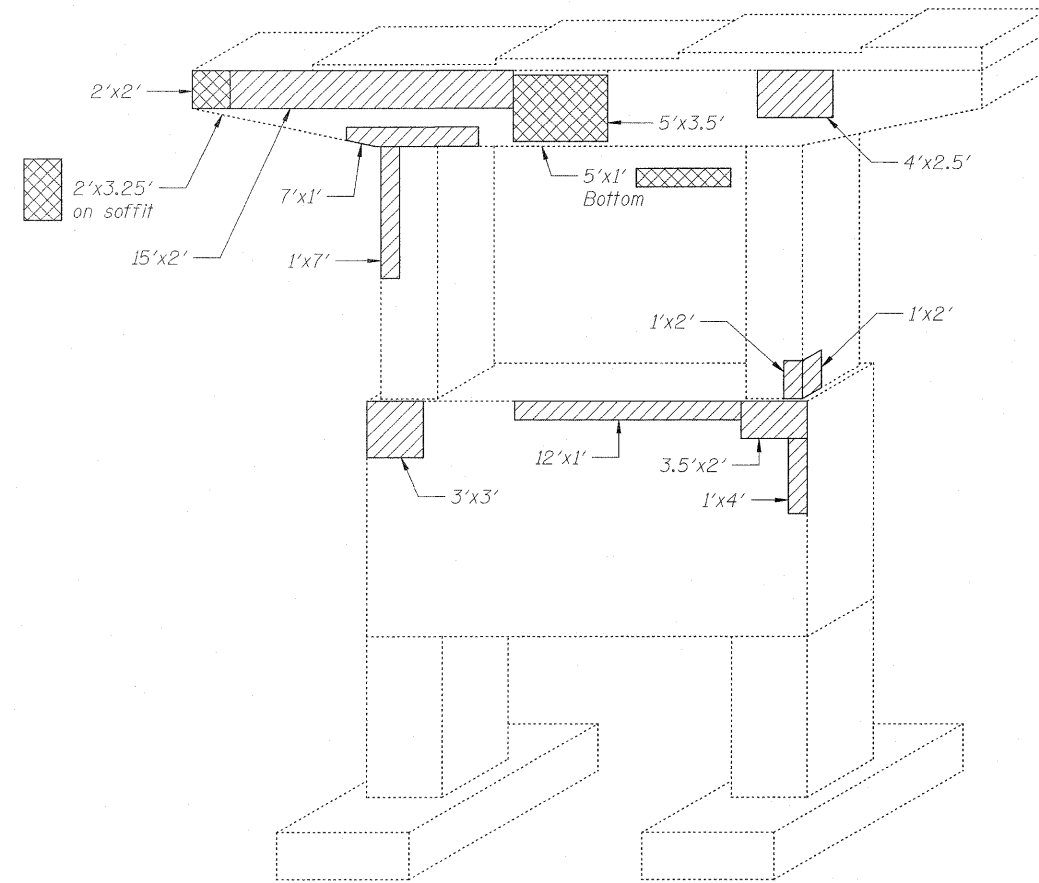


**PIER 12**  
WEST FACE



**PIER 12**  
EAST FACE

**LEGEND:**

- Structural Repair of Concrete (Depth > 5")
- Structural Repair of Concrete (Depth < 5")
- Temporary Shoring and Cribbing

INTERIOR GIRDER REACTION TABLE				
		R2	R3	R4
R <sub>g</sub>	(k)	33.9	44.7	44.7
R <sub>l</sub>	(k)	44.2	47.7	46.8
Imp.	(k)	12.8	12.6	12.4
R <sub>Total</sub>	(k)	90.9	105.0	103.9

**BILL OF MATERIAL**

ITEM	UNIT	TOTAL
Structural Repair of Concrete (Depth < 5")	Sq. Ft.	158
Structural Repair of Concrete (Depth > 5")	Sq. Ft.	84
Temporary Shoring and Cribbing	Each	4

Note:  
See the Special Provision "Temporary Shoring and Cribbing" for design, installation, and removal of the temporary shoring and cribbing support system. Approximate beam reactions are given in Interior Girder Reaction Table at the locations shown.