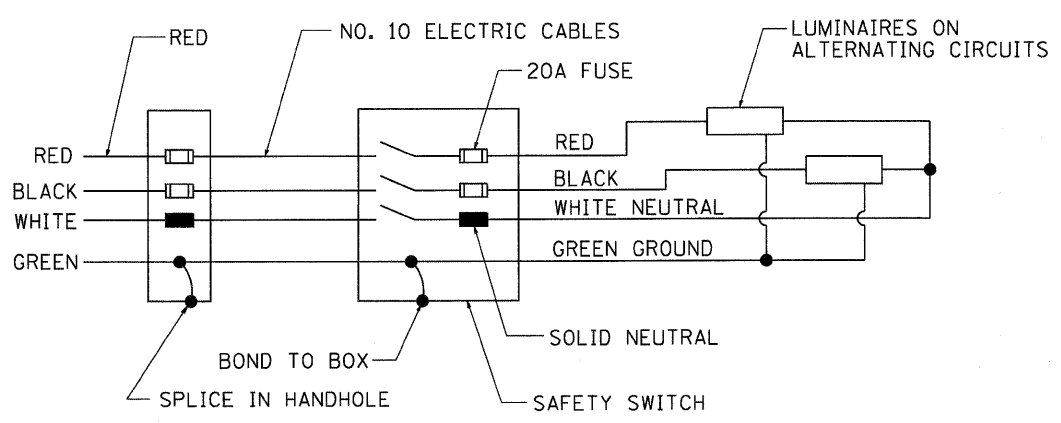


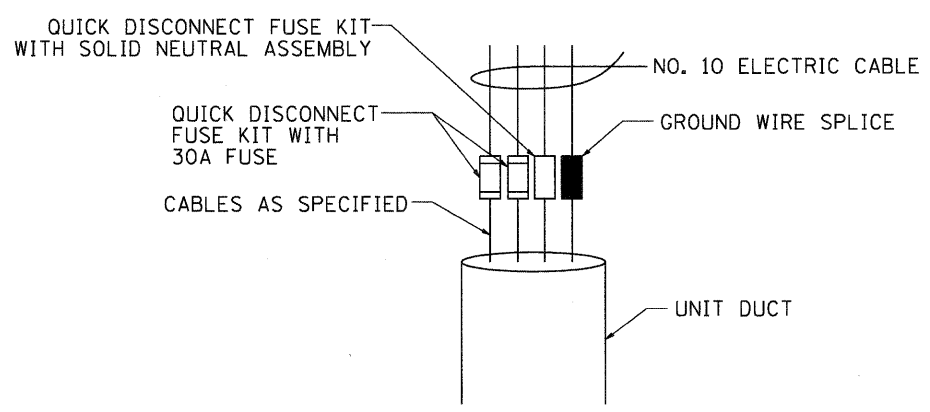
SIGN NUMBER
 DECAL SIZE: 8" (200) W X 9" (230) H
 CHARACTER SIZE: 6" (150) W X 8" (200) H

7' (2 m) ABOVE PAVEMENT

HANDHOLE
 SEE DETAIL "A"



WIRING DIAGRAM



DETAIL A

NOTES:

1. ALL DIMENSIONS ARE IN INCHES (MILLIMETERS) UNLESS OTHERWISE SHOWN
2. ALL CONDUIT ATTACHED TO STRUCTURE SHALL BE GALVANIZED RIGID METALIC CONDUIT, PVC COATED (GRMC, PVC)
3. THE USE OF LIQUID TIGHT METAL CONDUIT (TYPE LFMC) SHALL BE LIMITED TO LOCATIONS WHERE MOVEMENT IS ANTICIPATED AND SHALL NOT EXCEED 5' (1.5 m) IN LENGTH
4. ALL WORK INDICATED SHALL BE INCLUDED IN THE PAY ITEM FOR ELECTRIC CONNECTION TO SIGN STRUCTURE
5. THE SAFETY SWITCH SHALL BE LOCATED ON THE SIDE OF THE SIGN STRUCTURE WHICH IS CLOSEST TO THE SHOULDER, OR EDGE OF PAVEMENT.

FILE NAME = W:\diststd\22x34\be600.dgn	USER NAME = gaglianobt	DESIGNED -	REVISED - 09-19-04	STATE OF ILLINOIS DEPARTMENT OF TRANSPORTATION	ELECTRIC CONNECTION TO SIGN STRUCTURE			F.A. RTE. = 80	SECTION = 99(4&4-1)RS-3	COUNTY = WILL	TOTAL SHEETS = 203	SHEET NO. = 190
	PLOT SCALE = 50,0000' / IN.	CHECKED -	REVISED -		SPAN TYPE			BE-600		CONTRACT NO. = 60M66		
PLOT DATE = 1/4/2008	DATE -	REVISED -	REVISED -	SCALE: NONE SHEET NO. 1 OF 2 SHEETS STA. TO STA.			FED. ROAD DIST. NO. 1 ILLINOIS FED. AID PROJECT					