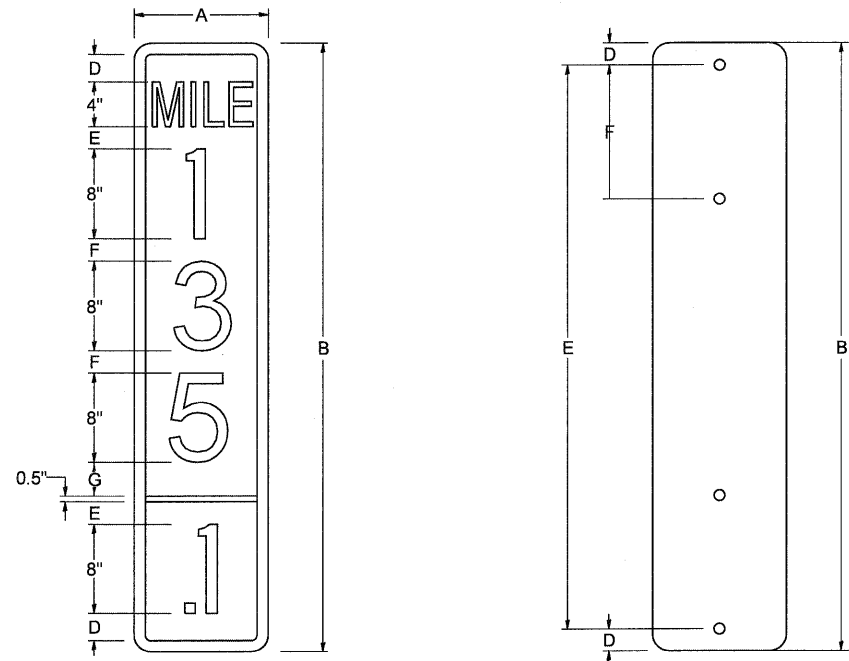
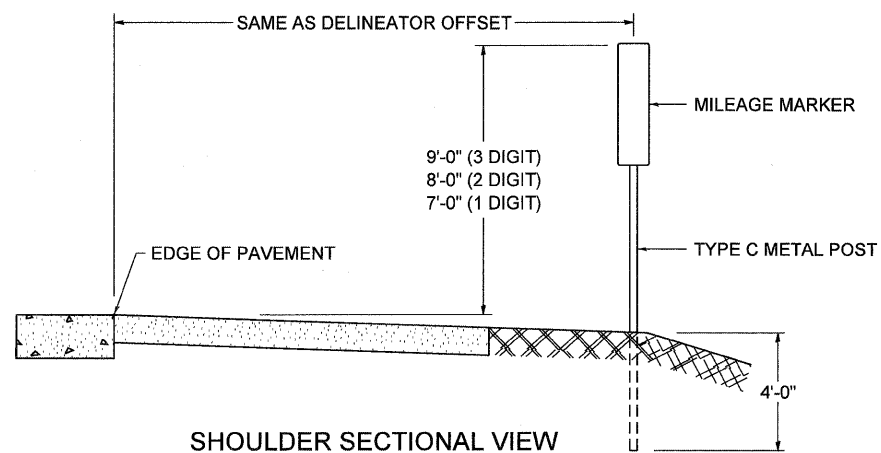


STANDARD DESIGN FOR MILE POST

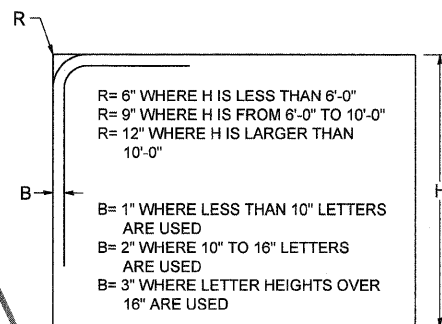


SIGN SIZE	DIMENSIONS							DIGIT
	A	B	C	D	E	F	G	
12 x 24	12.0	24.0	1.5	1.5	1.5	N/A	1.5	1
12 x 36	12.0	36.0	1.5	2.0	2.0	2.0	1.5	2
12 x 48	12.0	48.0	1.5	2.5	2.0	2.0	2.5	3

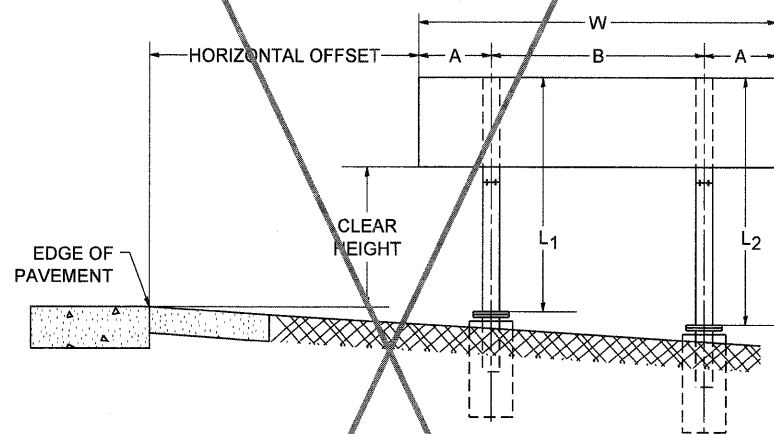
BLANK	A	B	C	D	E	F
B9-1224	12.0	24.0	1.5	2.0	20.0	N/A
B9-1236	12.0	36.0	1.5	2.0	32.0	12.0
B9-1248	12.0	48.0	1.5	2.0	44.0	12.0

SIGN SIZE	SERIES					BLANK STD.	
	LINES						
	1	2	3	4	5		
12 x 24	4C	8D	4C	N/A	N/A	0.5	B9-1224
12 x 36	4C	8D	8D	4C	N/A	0.5	B9-1236
12 x 48	4C	8D	8D	8D	4C	0.5	B9-1248

BORDER AND RADIUS LAYOUT



MAJOR GUIDE SIGN LAYOUT

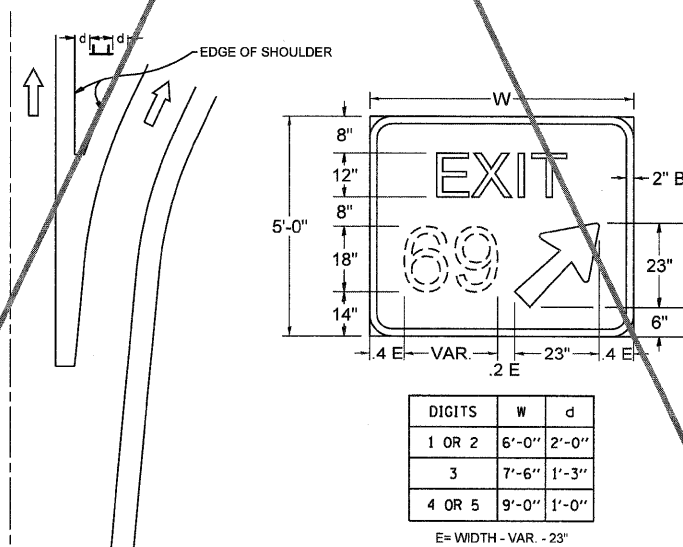


NUMBER OF STEEL SUPPORTS	A	B
2	.2 W	.5 W
3	.15 W	.35 W
4	.125 W	.25 W
5	.1 W	.2 W

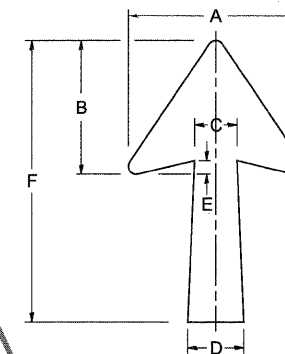
"L1" IS THE LENGTH OF SUPPORT, NOT INCLUDING THE STUB PROJECTION, CLOSEST TO THE EDGE OF THE PAVEMENT.

"A" IS THE DISTANCE FROM THE SIGN EDGE TO THE CENTERLINE OF THE NEAREST SUPPORT. "B" IS THE DISTANCE BETWEEN CENTERLINES OF SUPPORTS.

GORE SIGNS

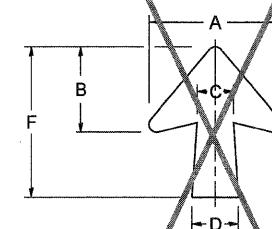


STANDARD ARROWS FOR INTERSTATE GUIDE SIGNS



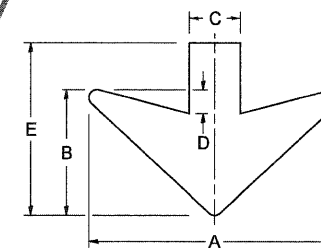
ARROW SYMBOL	A	B	C	D	E	F	R
24 1/4 x 15 1/8	15 1/8	11 1/8	3 3/4	5	1 1/2	2 1/4	1 1/8
29 1/4 x 18 1/4	18 1/4	14	4 1/2	6	1 1/2	2 9/4	3/4
35 1/2 x 22 1/2	22 1/4	17	5 3/8	7 1/8	1 3/4	3 5/8	1
18 1/4 x 11 1/4	11 1/4	8 3/4	3 1/8	3 3/8		1 1/8	

NOTE: D & F ARE RECOMMENDED DIMENSIONS. TAPER SHOULD BE HELD CONSTANT FOR LONGER OR SHORTER SHAFT LENGTHS



ARROW SYMBOL	A	B	C	D	E	F	R
17 1/4 x 14 1/4	14 1/4	9 3/8	3 3/8	4 1/2	5/8	1 1/4	3/4
20 1/4 x 17 1/4	17 1/4	11 3/4	4 3/8	5 5/8	1 1/2	2 0 1/4	
25 x 21 1/8	21 1/8	14 1/4	5	6 3/4	1 3/4	2 5	1
9 3/8 x 8 1/8	8 1/8	5 5/8	2 3/8	2 3/8		9 3/8	1/2

DOWN ARROWS



ARROW SYMBOL	A	B	C	D	E	R
16 1/2 x 24	24	12	5	1 1/2	16 1/2	3/4
22 x 32	32	16	6 1/2	3	22	1

STATE OF ILLINOIS  
DEPARTMENT OF TRANSPORTATION

MILE POST MARKERS - GORE SIGNS  
MAJOR GUIDE SIGN LAYOUT - ARROWS

FILE NAME = to27.dgn

USER NAME = gegljenobt  
PLOT SCALE = 500.0000' / IN.  
PLOT DATE = 2/4/2009

DESIGNED -  
DRAWN -  
CHECKED -  
DATE - 03-08-1984

REVISED - 02-04-2009  
REVISED - 2/15/11 ADDENDUM A  
REVISED -  
REVISED -

SCALE: NONE SHEET NO. 1 OF 1 SHEETS STA. TO STA.

F.A. RTE.	SECTION	COUNTY	TOTAL SHEETS	SHEET NO.
80	99(4&4-1)RS-3	WILL	203	201
TC-27 (TS-2341-1)			CONTRACT NO. 60M66	
FED. ROAD DIST. NO. 1 ILLINOIS FED. AID PROJECT				