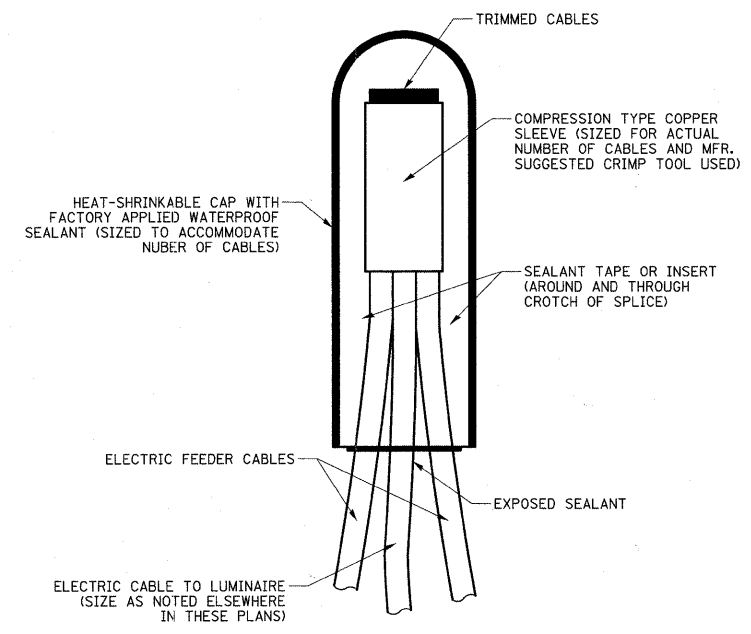
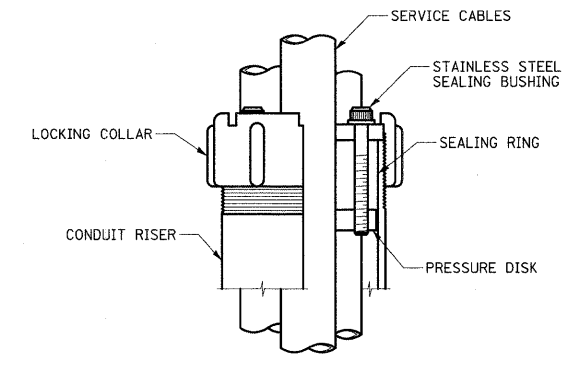


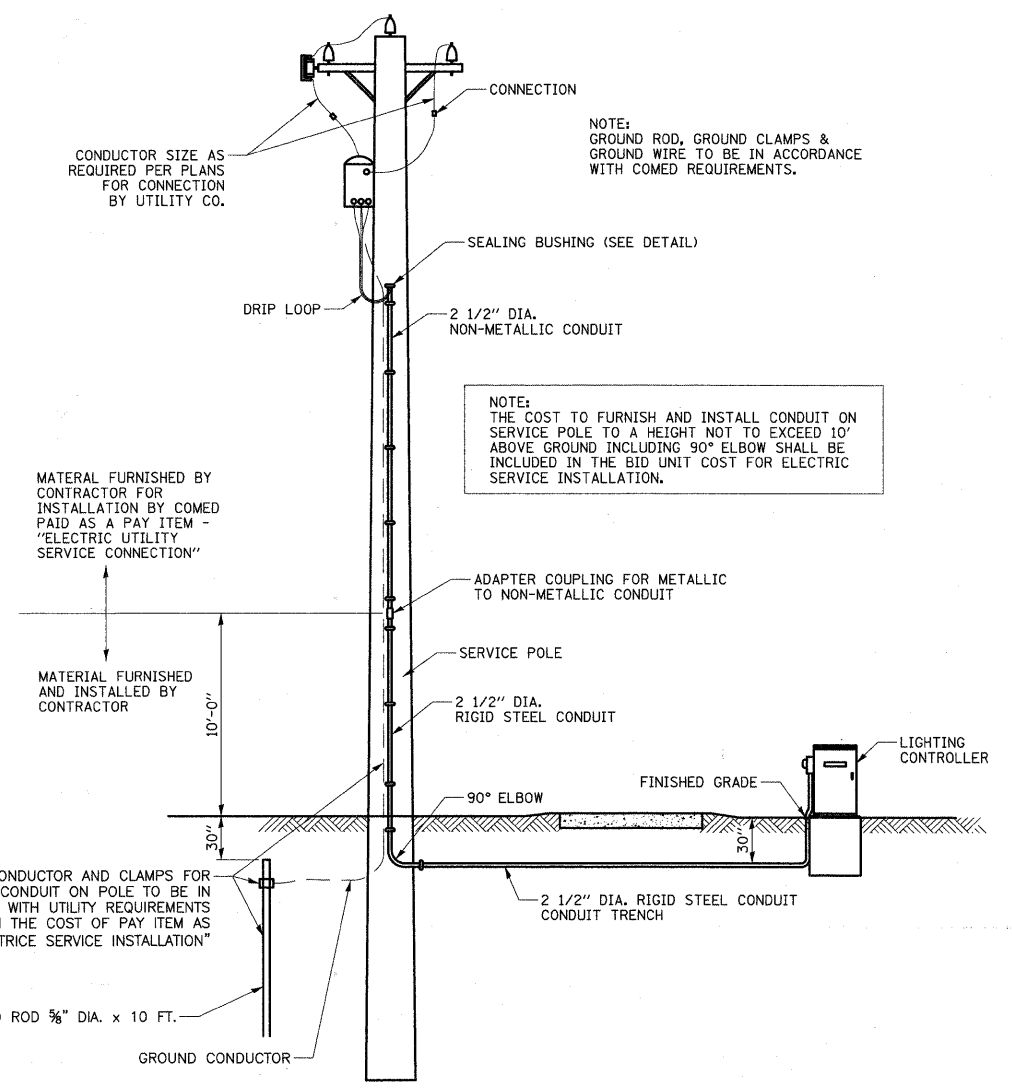
DATE	
BY	
REVISIONS	
NO.	
DATE	
BY	
REVISIONS	
NO.	
DATE	
BY	
REVISIONS	
NO.	



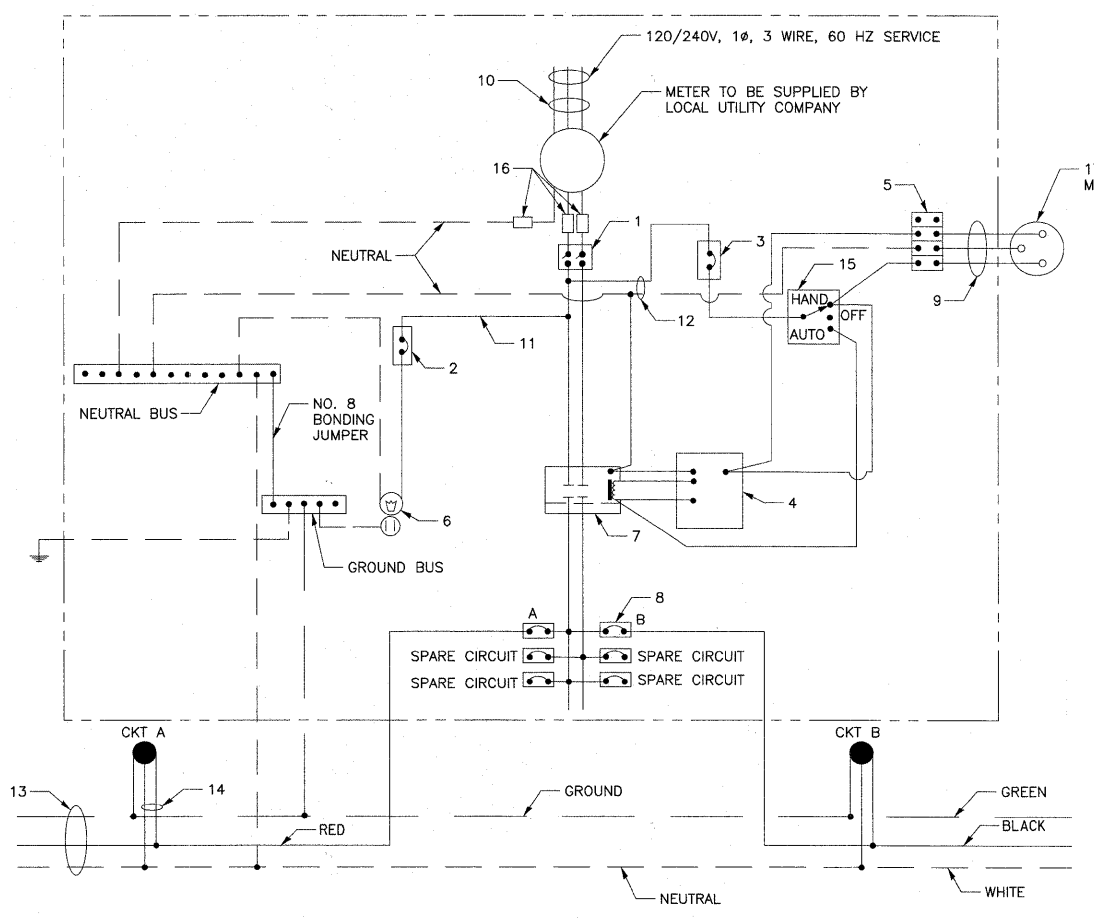
NOTE: NUMBER OF CABLES IN SPLICE MAY VARY
SPLICING ELECTRIC CABLES
BASIC MATERIALS AND METHODS



SEALING BUSHING DETAIL

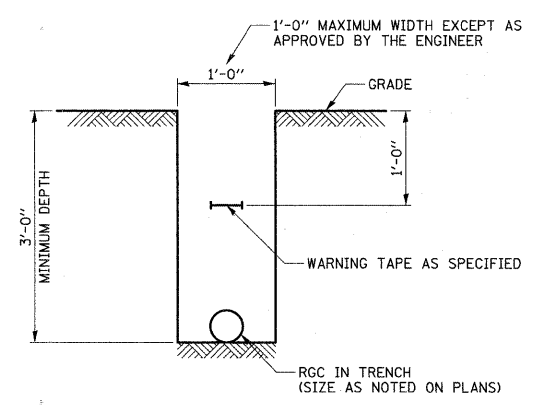


PROPOSED SERVICE INSTALLATION
POLE TOP MOUNTED TRANSFORMER



LIGHTING CONTROLLER WIRING DIAGRAM

ITEM	SPECIFICATION OR EQUAL
① MAIN CIRCUIT BREAKER	100 AMPERE, 2 POLE, 240 VOLT RATING INTERRUPTING CAPACITY NOT LESS THAN 25,000 RMS SYMMETRICAL AMPS AT 600V
② LAMPHOLDER CIRCUIT BREAKER	15 AMPERE, 1 POLE, 120 VOLT RATING INTERRUPTING CAPACITY NOT LESS THAN 14,000 RMS SYMMETRICAL AMPS AT 277V
③ PHOTOELECTRIC CELL CONTROL CIRCUIT BREAKER	15 AMPERE, 1 POLE, 120 VOLT RATING INTERRUPTING CAPACITY NOT LESS THAN 14,000 RMS SYMMETRICAL AMPS AT 277V
④ AUXILIARY RELAY	120 VOLT SPST 60 HZ COIL
⑤ FOUR POINT TERMINAL BLOCK	600 VOLT
⑥ LAMPHOLDER AND OUTLET	120 VOLT SWITCHED LAMPHOLDER AND 15 AMP GFI DUPLEX RECEPTACLE
⑦ REMOTE CONTROL SWITCH	100 AMPERE, 2 POLE, 240 VOLT RATING
⑧ BRANCH LINE CIRCUIT BREAKERS	CKTS A-B 20 AMP 1 POLE, 120 VOLT RATING INTERRUPTING CAPACITY NOT LESS THAN 10,000 RMS SYMMETRICAL AMPS AT 277V
⑨ PHOTOELECTRIC CELL CONTROL WIRE	3-600V XLP NO. 10
⑩ SERVICE CABLES	3-600V (XLP-TYPE USE) NO. 2/0
⑪ LAMPHOLDER WIRE	2-600V XLP NO. 10
⑫ CONTROL WIRE	2-600V XLP NO. 10
⑬ BRANCH LINE CABLES	SEE PLANS FOR SIZE
⑭ LIGHTING POLE WIRE	2-600V XLP NO. 10 CABLES WITH POLE GROUND AND FUSING
⑮ HAND-AUTO-OFF CONTROL SWITCH	10 AMPERE, 3 POLE, 120 VOLT
⑯ LIGHTING ARRESTOR	BRACKET MOUNTED SURGE ARRESTOR FOR 120/240V 3W SERVICE MICRO SWITCH (MOUNT WITH ACTUATOR TO SWITCH WHEN DOOR OPENED)
⑰ PHOTOELECTRIC CELL	120 SECONDS OFF TIME DELAY, 120V



TYPICAL WIRING IN TRENCH - DETAIL

DATE	
BY	
REVISIONS	
NO.	
DATE	
BY	
REVISIONS	
NO.	
DATE	
BY	
REVISIONS	
NO.	