

FED. ROUTE NO.	SECTION	COUNTY	TOTAL SHEETS	SHEET NO.
3602	08-F3000-07-BT	LAKE	60	15
FED. ROAD DIST. NO. 1	ILLINOIS	FED. AID PROJECT-		

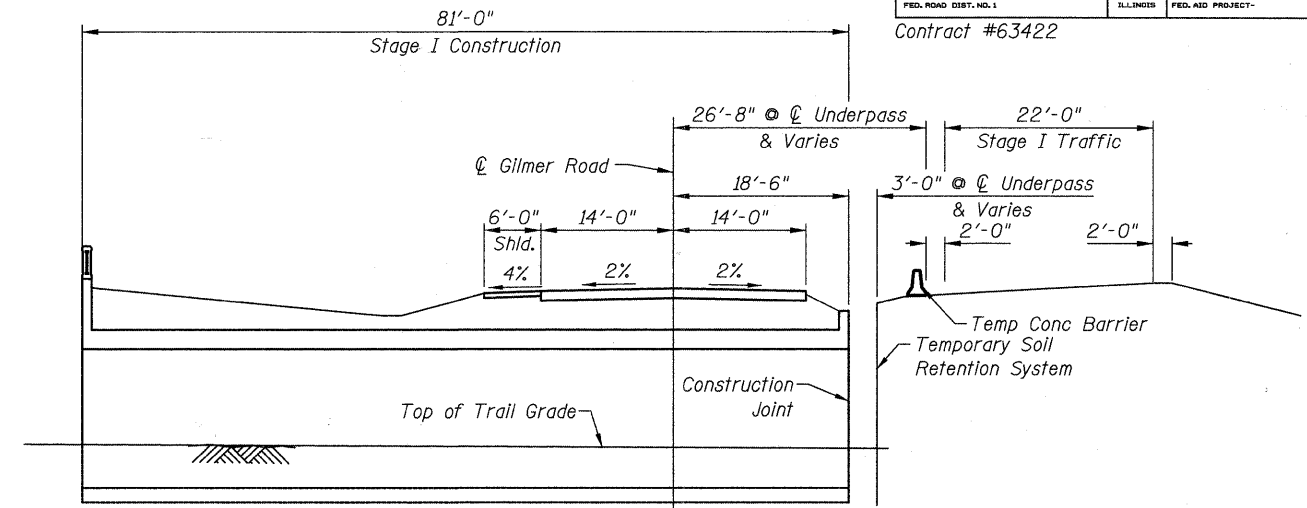
GENERAL NOTES

1. Reinforcement bars shall conform to the requirements of ASTM A 706 Gr 60. See Special Provisions.
2. Reinforcement bars designated (E) shall be epoxy coated
3. Protective coat shall not be applied to surfaces to which Waterproofing Membrane System is applied.
4. A cantilevered sheet piling does not appear feasible and additional members or other retention systems may be necessary. The Contractor shall submit a temporary soil retention system design including plan details and calculations for review and acceptance by the Engineer.

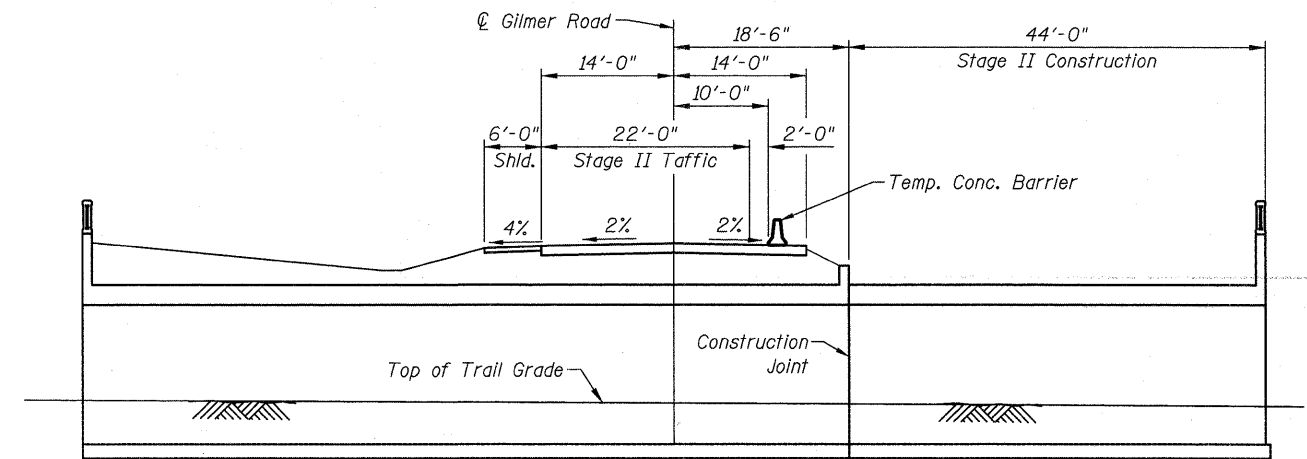
TOTAL BILL OF MATERIAL

Item	Unit	Total
* Porous Granular Embankment, Special	Cu. Yd.	1,190
Structural Excavation	Cu. Yd.	4,536
Concrete Structures	Cu. Yd.	683.6
Rubbed Finish	Sq. Ft.	5,150
* Formliner Textured Surface	Sq. Ft.	2,470
Reinforcement Bars, Epoxy Coated	Pound	96,970
Bar Splicers	Each	128
Name Plates	Each	1
Membrane Waterproofing	Sq. Ft.	2,813
Geocomposite Wall Drain	Sq. Yd.	669
* Pipe Underdrains for Structures, 6"	Foot	410
* Temporary Soil Retention System	Sq. Ft.	2,207
* Ornamental Railing	Foot	145
* Staining Concrete Structures	Sq. Yd.	275

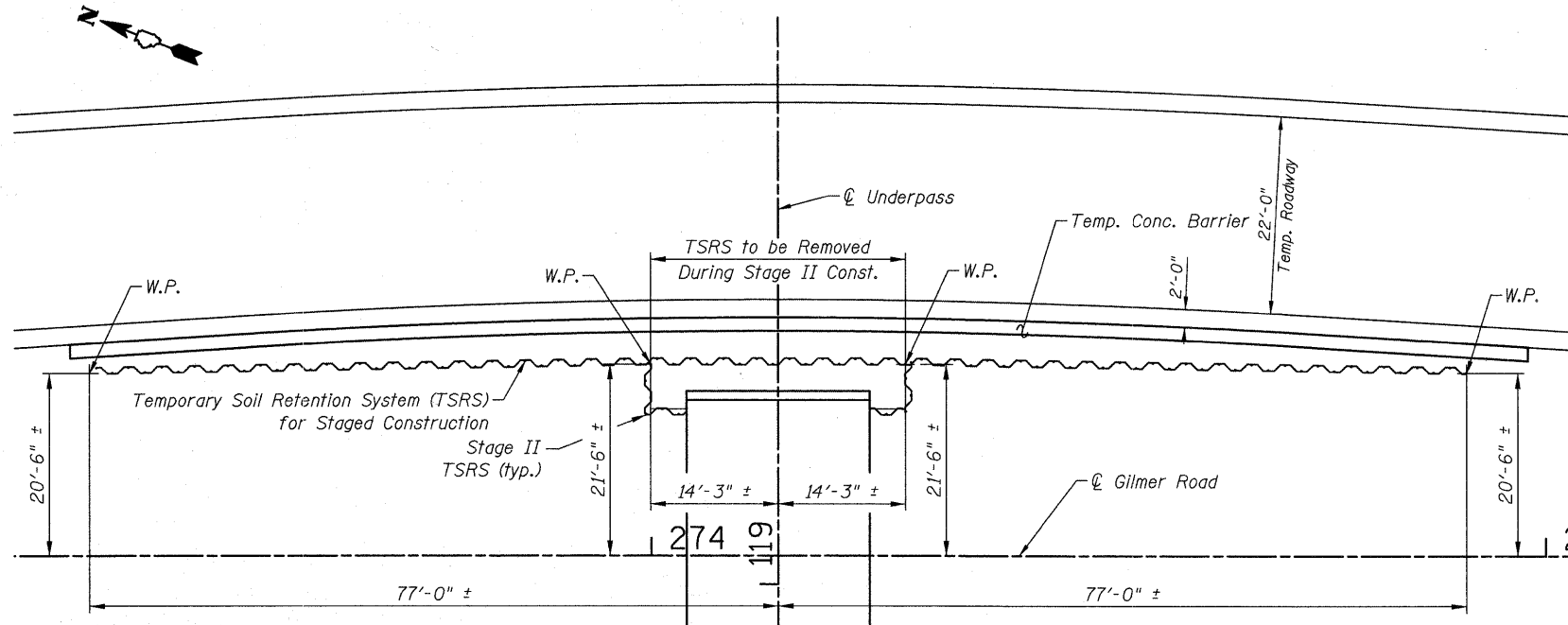
* See Special Provisions



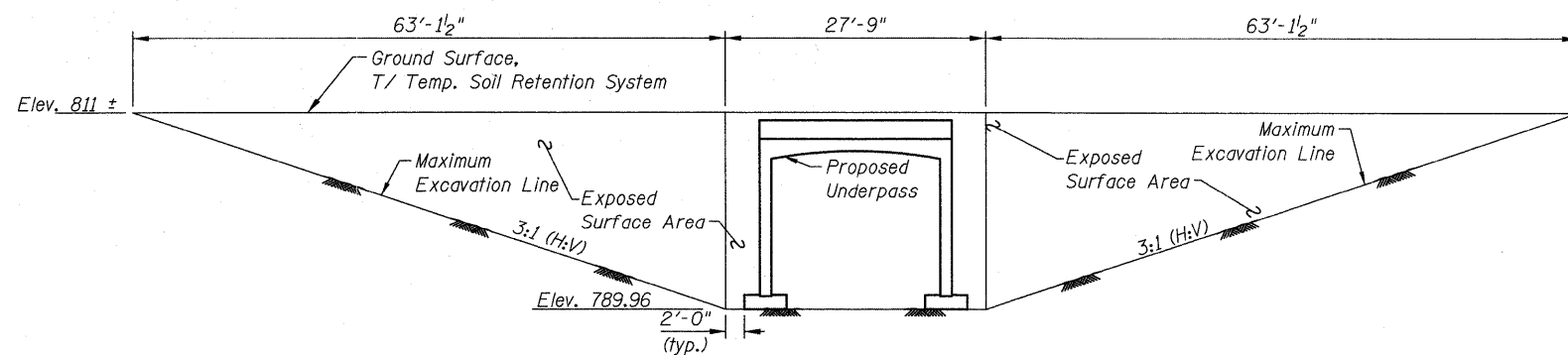
SECTION I CONSTRUCTION
(Looking North)



SECTION II CONSTRUCTION
(Looking North)



TEMPORARY SOIL RETENTION SYSTEM - PLAN



TEMPORARY SOIL RETENTION SYSTEM - ELEVATION

GENERAL NOTES, TOTAL BILL OF MATERIAL & STAGING DETAILS
GILMER ROAD TRAIL UNDERPASS
 SEC 08-F3000-07-BT
 STA. 274+14.15
 STRUCTURE NO. 049-N006

DRAWN BY: D. Atkins
 CHECKED BY: G. Hatlestad
 DATE: December 17, 2010

REVISIONS	
NAME	DATE

j:\2100\phase 2\cod\sheet\07_struct\02_gm.dgn
 12/15/2010 12:23 PM