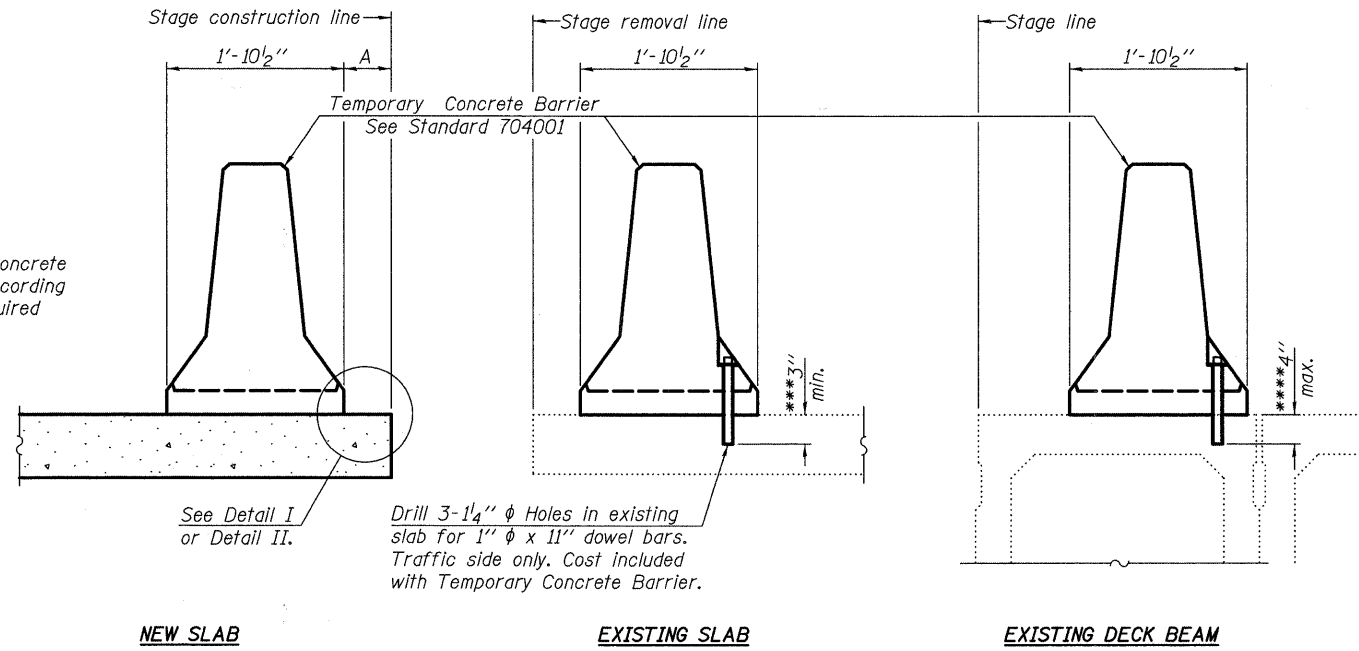


F.A. ROUTE NO.	SECTION	COUNTY	TOTAL SHEETS	SHEET NO.
3602	08-F3000-07-BT	LAKE	60	23
FED. ROAD DIST. NO. 1		ILLINOIS	FED. AID PROJECT-	

Contract #63422

When "A" is 3'-6" or less, the temporary concrete barrier shall be anchored to the new slab according to Detail I or Detail II. No anchorage is required when "A" is greater than 3'-6".



NOTES

Detail I - With Bar Splicer or Couplers:
Connect one (1) 1"x7"x10" steel PL to the top layer of couplers with 2-5/8" φ bolts screwed to coupler at approximate C of each barrier panel.

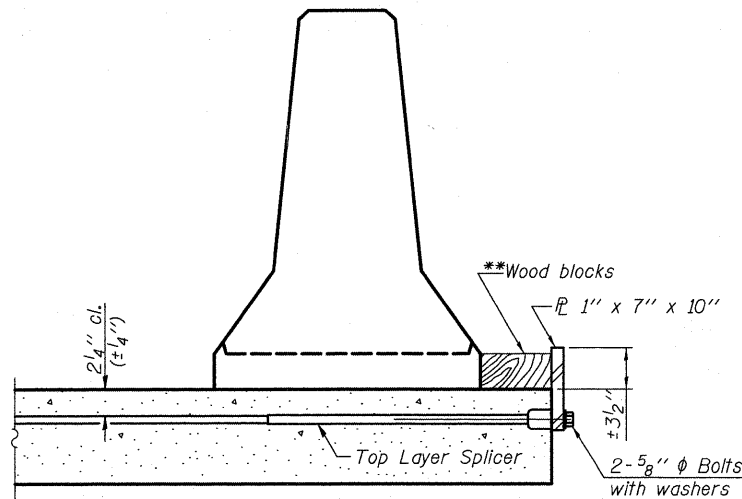
Detail II - With Extended Reinforcement Bars:
Connect one (1) 1"x7"x10" steel PL to the concrete slab or concrete wearing surface with 2-5/8" φ Expansion Anchors or cast in place inserts spaced between the top layer of reinforcement at approximate C of each barrier panel.

Cost of anchorage is included with Temporary Concrete Barrier. The 1" x 7" x 10" plate shall not be removed until stage II construction forms and all reinforcement bars are in place and the concrete is ready to be placed.

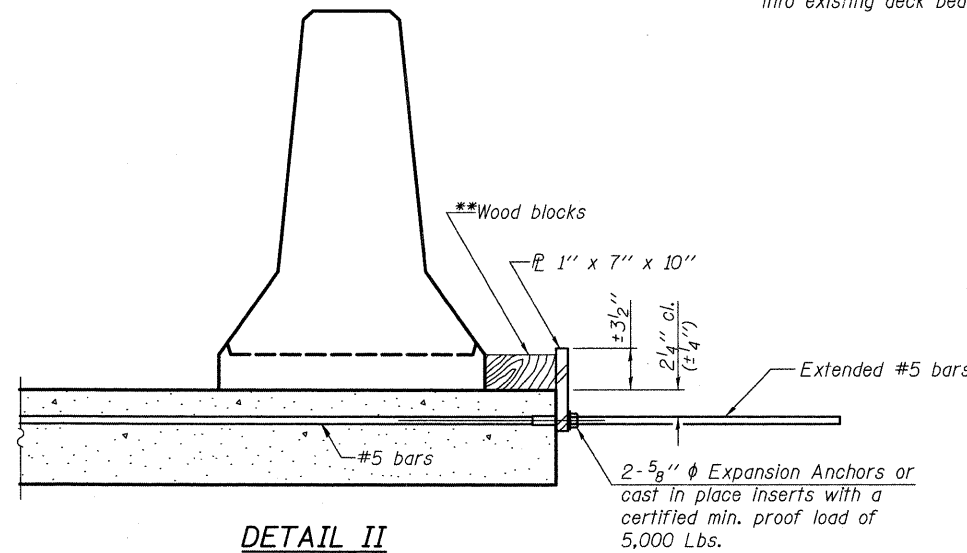
SECTIONS THRU SLAB OR DECK BEAM

***Dimension shown is minimum required embedment into concrete. If hot-mix asphalt wearing surface is present, minimum embedment shall be in addition to wearing surface depth.

***If existing deck beam is to remain in place after stage construction, embedment shall only be into wearing surface and not into existing deck beam concrete.

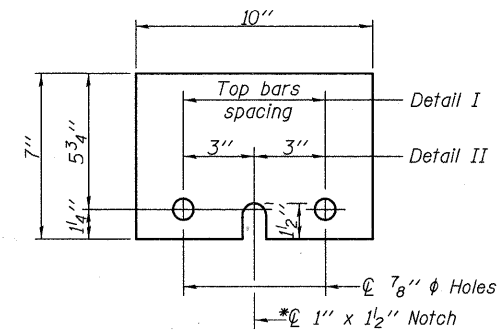


DETAIL I



DETAIL II

**Wood blocks may be omitted when required to provide minimum stage traffic lane width. When the wood blocks are omitted, the concrete barrier shall be in direct contact with the steel retainer plate.



STEEL RETAINER PL 1" x 7" x 10"

*Required only with Detail II

R-27

5-16-08

CIVILTECH
450 E Devon Ave, Suite 300
Itasca, Illinois 60143
Tel: 630.773.3900 Fax: 630.773.3975
www.civiltechinc.com

S10 of S11

LAKE COUNTY FOREST PRESERVE DISTRICT

TEMPORARY CONCRETE BARRIER DETAILS
GILMER ROAD TRAIL UNDERPASS
SEC 08-F3000-07-BT
STA. 274+14.15
STRUCTURE NO. 049-N006

DRAWN BY: D. Atkins
CHECKED BY: G. Hatlestad DATE: December 17, 2010

REVISIONS	
NAME	DATE

j:\2150\phase 2\cad\sheet\07_struct\0-temp_conc_barrier.dgn 12/15/2010 12:45 PM