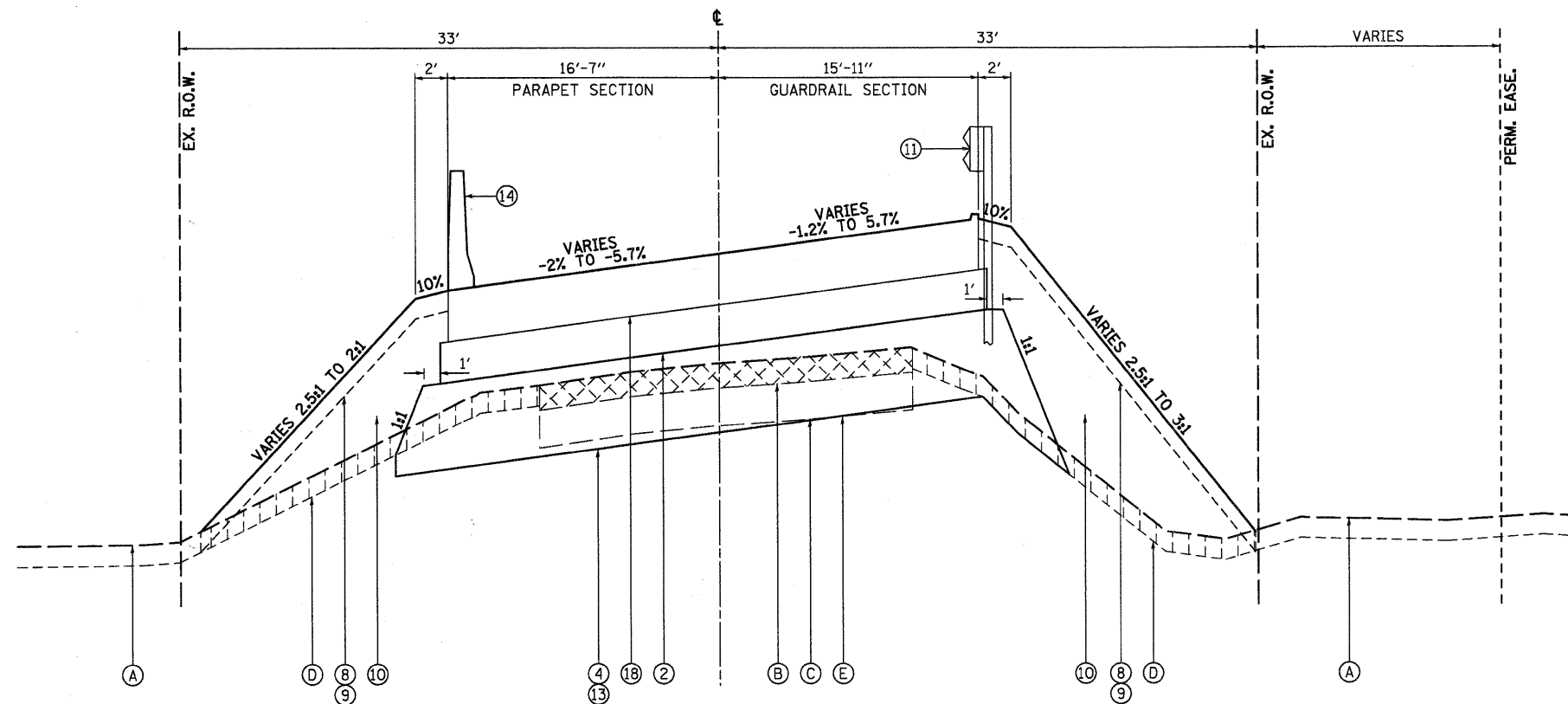


**PROPOSED BOLCUM ROAD**  
STA. 123+07.50 TO STA. 123+64



**PROPOSED BOLCUM ROAD**  
STA. 121+42.50 TO STA. 121+75.50  
STA. 122+77.50 TO STA. 123+07.50

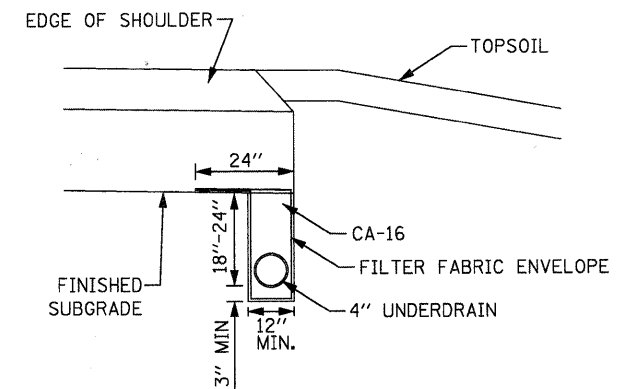
PARAPET WALL BETWEEN STA. 121+57.5 AND 122+92.5.

**LEGEND, EXISTING**

- (A) EXISTING GROUND
- (B) EXISTING HOT-MIX ASPHALT PAVEMENT, 7.0"-7.3" (TO BE REMOVED - 44000100)
- (C) EXISTING AGGREGATE BASE, 11" (REMOVED AS NECESSARY- INCLUDED IN EARTH EXCAVATION)
- (D) EXISTING TOPSOIL - (TO BE REMOVED - 20201200)
- (E) EXISTING UNSUITABLE MATERIAL - (TO BE REMOVED - 20201200)

**LEGEND, PROPOSED**

- (1) 2" HMA SURFACE COURSE, MIX "D", N50 (40603335)
- (2) 9" HMA BINDER COURSE, IL-19.0, N50 (2 LIFTS - 40603080)
- (3) AGGREGATE SUBGRADE, 12" (Z0001050)
- (4) GEOTECHNICAL FABRIC FOR GRND. STABILIZATION (21001000)
- (5) AGGREGATE SHOULDERS, TYPE B 6" (48101500)
- (6) HMA SHOULDERS, 8" (48203029)
- (7) SUB-BASE GRANULAR MATERIAL, TYPE B (31101100)
- (8) 6" TOPSOIL EXCAVATION AND PLACEMENT (21101505)
- (9) SEEDING CLASS 2A, 4(MOD.), 5(MOD.) W/EROSION CONTROL BLANKET
- (10) STRUCTURAL EMBANKMENT (TO BE PAID AS FURNISHED EXCAVATION - 20400800)
- (11) STEEL PLATE BEAM GUARDRAIL, TYPE A, 6' POSTS (63000001)
- (12) PIPE UNDERDRAIN WITH FILTER FABRIC ENVELOPE, 4" (60107600)
- (13) POROUS GRANULAR EMBANKMENT, SUBGRADE (20700420)
- (14) PARAPET (SEE STRUCTURAL PLANS)
- (15) STRIP REFLECTIVE CRACK CONTROL TREATMENT (44300200)
- (16) LEVELING BINDER (MACHINE METHOD), N50 (40600625)
- (17) AGGREGATE WEDGE SHOULDER, TYPE B (48102100)
- (18) BRIDGE APPROACH PAVEMENT (SEE STRUCTURAL PLANS)



**UNDERDRAIN DETAIL**  
STA. 123+08.00 TO STA. 125+60.00 LT

**UNDERDRAIN NOTES**

1. PIPE UNDERDRAINS TO BE PLACED AS INDICATED ON THE PLANS.
2. CAPS, PLUGS, WYES, AND TEES ARE CONSIDERED INCLUDED IN THE COST OF THE UNDERDRAINS.
3. ALL END RUNS SHALL HAVE A CAP OR PLUG.
4. UNDERDRAINS SHALL BE CONNECTED AS SHOWN ON THE PLANS WHICH COST IS INCLUDED IN THE COST OF THE UNDERDRAINS.
5. UNDERDRAIN MATERIAL SHALL BE PERFORATED CORRUGATED POLYETHYLENE TUBING.
6. EXCAVATION, FABRIC AND POROUS GRANULAR BACKFILL AS SPECIFIED SHALL BE INCLUDED IN THE COST OF THE UNDERDRAIN.

FILE NAME = P:\CBBEL\WEST Projects\2008\09-0882 Bolcum PH11\CV1\0.dgn\SHA\TYPICAL\_3.dgn



USER NAME = #USER#	DESIGNED -	REVISED -
PLOT SCALE =	DRAWN -	REVISED -
PLOT DATE = 10/21/2010	CHECKED -	REVISED -
	DATE - 10/22/10	REVISED -

**STATE OF ILLINOIS**  
**DEPARTMENT OF TRANSPORTATION**

**TYPICAL SECTIONS**  
**PROPOSED**

SCALE: SHEET NO. 10 OF 73 SHEETS STA. TO STA.

F.A.U. RTE. 2332	SECTION 03-14185-02-BR	COUNTY KANE	TOTAL SHEETS 73	SHEET NO. 10
CONTRACT NO. 63521				
FED. ROAD DIST. NO. 1 ILLINOIS FED. AID PROJECT				