

EROSION CONTROL INSPECTION

ALL EROSION CONTROL MEASURES MUST BE INSPECTED WEEKLY AND AFTER EACH 1/2" RAIN EVENT.

WINTER SHUT DOWN

A WINTER SHUT DOWN IS NOT ANTICIPATED FOR THIS PROJECT. BUT IN THE EVENT THAT UNAVOIDABLE CIRCUMSTANCE REQUIRE A WINTER SHUT DOWN, THE CONDITION OF THE CONSTRUCTION SITE FOR WINTER SHUTDOWN SHALL BE ADDRESSED EARLY IN THE FALL GROWING SEASON SO THAT SLOPES AND OTHER BARE EARTH AREAS MAY BE STABILIZED WITH TEMPORARY AND/OR PERMANENT VEGETATIVE COVER FOR PROPER EROSION AND SEDIMENT CONTROL. ALL OPEN AREAS THAT ARE TO REMAIN IDLE THROUGHOUT THE WINTER SHALL RECEIVE TEMPORARY EROSION CONTROL MEASURES INCLUDING TEMPORARY SEEDING, MULCHING AND/OR EROSION CONTROL BLANKET PRIOR TO THE END OF THE FALL GROWING SEASON. THE AREAS TO BE WORKED BEYOND THE END OF THE GROWING SEASON MUST INCORPORATE SOIL STABILIZATION MEASURES THAT DO NOT RELY ON VEGETATIVE COVER SUCH AS EROSION CONTROL BLANKET AND HEAVY MULCHING.

TEMPORARY DITCH CHECKS

THE PLANS HAVE A PLAN ALLOWANCE FOR FIVE (5) TEMPORARY DITCH CHECKS. THE DITCH CHECKS WILL BE REQUIRED AT THOSE LOCATIONS WHERE THE CONTRACTORS OPERATIONS REQUIRE TEMPORARY DITCHES OR SWALES. THE EXACT LOCATION WILL BE COORDINATED IN THE FIELD WITH THE ENGINEER.

PROTECTING STOCK PILE AREAS

CONTRACTOR MAY OPT TO STOCK PILES MATERIALS. STAGING OF THE PROJECT IS AT HIS DISCRETION AND COORDINATION OF STOCK PILES WILL BE WITH RE, TOWNSHIP AND KANE-DUPAGE. STOCKPILES OF SOIL AND OTHER BUILDING MATERIALS TO REMAIN IN PLACE MORE THAN THREE (3) DAYS SHALL BE FURNISHED WITH EROSION AND SEDIMENT CONTROL MEASURES (I.E. PERIMETER SILT FENCE). STOCKPILES, NOT BEING ACTIVITY WORKED AND TO REMAIN IN PLACE FOR 14 DAYS OR MORE SHALL RECEIVE TEMPORARY SEEDING.

KEEPING PAVEMENTS CLEAN

THE CONTRACTOR WILL KEEP ALL PERMANENT PAVEMENT SURFACES CLEAN OF DIRT OR CONSTRUCTION DEBRIS. THE PAVEMENT SHALL BE CLEANED AT THE END OF EACH DAYS OPERATION OR MORE FREQUENTLY AS REQUIRED BY THE ENGINEER IF THE DEBRIS IS DEEMED TO BE A HAZARD TO THE MOTORING PUBLIC.

GENERAL NOTES

- A) UNLESS OTHERWISE INDICATED, ALL VEGETATIVE AND STRUCTURAL EROSION AND SEDIMENT CONTROL PRACTICES WILL BE CONSTRUCTED ACCORDING TO MINIMUM STANDARDS AND SPECIFICATIONS IN THE ILLINOIS URBAN MANUAL REVISED FEBRUARY 2002.
- B) THE KANE-DUPAGE SOIL AND WATER CONSERVATION DISTRICT (KDSWCD) MUST BE NOTIFIED ONE WEEK PRIOR TO THE PRE-CONSTRUCTION CONFERENCE, ONE WEEK PRIOR TO THE COMMENCEMENT OF LAND DISTURBING ACTIVITIES, AND ONE WEEK PRIOR TO THE FINAL INSPECTION.
- C) A COPY OF THE APPROVED EROSION AND SEDIMENT CONTROL PLAN SHALL BE MAINTAINED ON THE SITE AT ALL TIMES.
- D) PRIOR TO COMMENCING LAND-DISTURBING ACTIVITIES IN AREAS OTHER THAN INDICATED ON THESE PLANS (INCLUDING BUT NOT LIMITED TO, ADDITIONAL PHASES OF DEVELOPMENT AND OFF-SITE BORROW OR WASTE AREAS) A SUPPLEMENTARY EROSION CONTROL PLAN SHALL BE SUBMITTED TO THE OWNER FOR REVIEW BY THE KDSWCD.
- E) THE CONTRACTOR IS RESPONSIBLE FOR INSTALLATION OF ANY ADDITIONAL EROSION CONTROL MEASURES NECESSARY TO PREVENT EROSION AND SEDIMENTATION AS DETERMINED BY THE KDSWCD.
- F) DURING DEWATERING OPERATIONS, WATER WILL BE PUMPED INTO SEDIMENT BASINS OR SILT TRAPS. DEWATERING DIRECTLY INTO FIELD TILES OR STORMWATER STRUCTURES IS PROHIBITED.
- G) IT IS THE RESPONSIBILITY OF THE LANDOWNER AND/OR GENERAL CONTRACTOR TO INFORM ANY SUB-CONTRACTOR(S) WHO MAY PERFORM WORK ON THIS PROJECT, OF THE REQUIREMENTS IN IMPLEMENTING AND MAINTAINING THESE EROSION CONTROL PLANS AND THE NATIONAL POLLUTANT DISCHARGE ELIMINATION SYSTEM (NPDES) PERMIT REQUIREMENTS SET FORTH BY THE ILLINOIS EPA.

CONSTRUCTION SEQUENCE NOTES

- A) CONSTRUCTION OF A PIER, CREEK EBANKMENT AND RIP RAP ARE ANTICIPATED TO REQUIRE WORK WITHIN THE CREEK, WORK MUST BE TIMED TO TAKE PLACE DURING LOW OR NO-FLOW CONDITIONS.
- B) DURING CONSTRUCTION OF THE PIER, CONCENTRATED FLOW MUST BE ISOLATED FROM THE WORK AREA USING A NON-ERODIBLE COFFERDAM (STEEL SHEETS, AQUA BARRIERS, ETC.). EXACT MEANS AND METHODS SHOULD BE DISCUSSED DURING A SCHEDULED PRE-CONSTRUCTION MEETING.
- C) BYPASS IS NOT ANTICIPATED FOR THIS PROJECT. HOWEVER, IF BYPASS IS NECESSARY, THE INLET OF THE HOSE SHALL BE PLACED IN A SUMP PIT AND THE OUTLET PLACED ON A NON-ERODIBLE, ENERGY DISSIPATING SURFACE PRIOR TO REJOINING THE CREEK FLOW.
- D) IF DEWATERING THE CONSTRUCTION AREA IS NECESSARY, ALL WATERS SHALL BE FILTERED BY USING FILTER BAGS OR AN ALTERNATIVE MEASURE. WATER MUST HAVE SEDIMENT REMOVED BEFORE BEING ALLOWED TO RETURN TO THE ORIGINAL CREEK.
- E) THE SIDE SLOPES MUST BE RESEEDED AND STABILIZED WITH AN APPROPRIATE EROSION CONTROL BLANKET PRIOR TO ACCEPTING FLOWS. THE BOTTOM OF THE SWALE MUST BE BROUGHT BACK TO ITS ORIGINAL GRADE AND STABLE ENOUGH TO ACCEPT FLOWS.

DEWATERING - BASIS OF PAYMENT

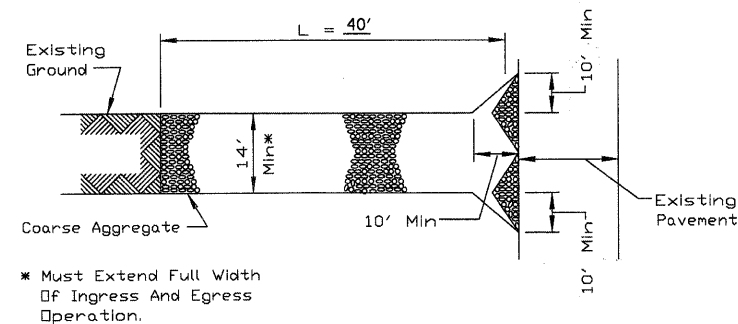
DEWATERING FOR ALL CONSTRUCTION OPERATIONS WILL NOT BE MEASURED SEPERATELY FOR PAYMENT BUT SHALL BE INCLUDED IN THE COST OF CONCRETE STRCUTURES. DEWATERING WILL INCLUDE MEANS, METHODS AND ALL MATERIALS TO DEWATER AND TO PROVIDE FILTRATION OF WATERS BEFORE RE-ENTERING THE CREEK.

STABILIZATION TYPE	JAN.	FEB.	MAR.	APR.	MAY	JUNE	JULY	AUG.	SEPT.	OCT.	NOV.	DEC.
PERMANENT SEEDING						*	*	A				
DORMANT SEEDING	B										B	
TEMPORARY SEEDING			C									
EROSION CONTROL BLANKET								D				

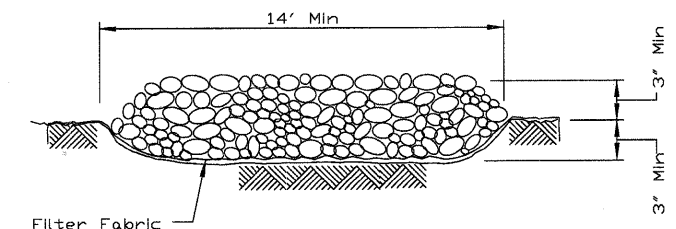
- A. CLASS 2A
CLASS 4 (MODIFIED)
CLASS 5 (MODIFIED)
- B. INCREASE SEEDING RATES BY 25% WHEN DORANT SEEDING (NOT ANTICIPATED)
- C. TEMPORARY SEEDING (PERENIAL RYE GRASS, SPRING OATS)
- D. EROSION CONTROL BLANKET (EXCELSIOR) (PERMANENT SEED AREAS ONLY)

* IRRIGATION MAY BE NEEDED DURING JUNE AND JULY

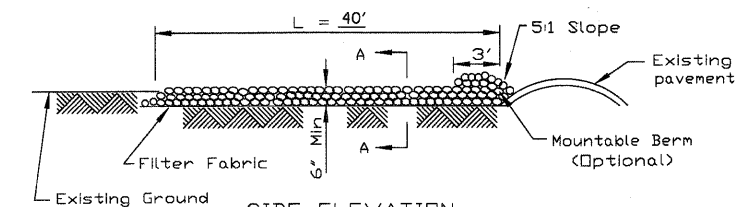
NOTE: SEEDING TO BE COMPLETED PER REQUIREMENTS OF SECTION 250 OF THE IDOT STANDARD SPECIFICATIONS FOR ROAD AND BRIDGES.



PLAN VIEW



SECTION A-A



SIDE ELEVATION

NOTES:

1. FILTER FABRIC SHALL MEE THE REQUIREMENTS OF SECTION 1080.03 OF THE STANDARD SPECIFICATIONS AND SHALL BE PALCED OVER THE CLEARED SUBGRADE AREA PRIOR TO PLACING THE ROCK.
2. AGGREGATE FILL SHALL MEET ONE OF THE FOLLOWING IDOT COARSE AGGREGATE GRADATIONS, CA-1, CA-2, CA-3 OR CA-4 AND BE PLACED ACCORDING TO SPECIAL PROVISION " STABILIZED CONSTRUCION ENTRANCE.
3. ANY DRAINAGE FACILTIES REQUIRED BECASUE OF WASHING SHALL BE CONSTRCTED ACCORDING TO MANUFACTURERS SPECIFICATIONS.
4. IF WASH RACKS ARE USED THEY SHALL BE INSTALLED ACCORDING TO MANUFACTURERS SPECIFICATIONS.

STABILIZED CONSTRUCTION ENTRANCE PLAN

FILE NAME = P:\CBBEL WEST Projects\2009\09-08B2 Baloum PHIT.G.v1\09n\SHA\EROS.02.dgn