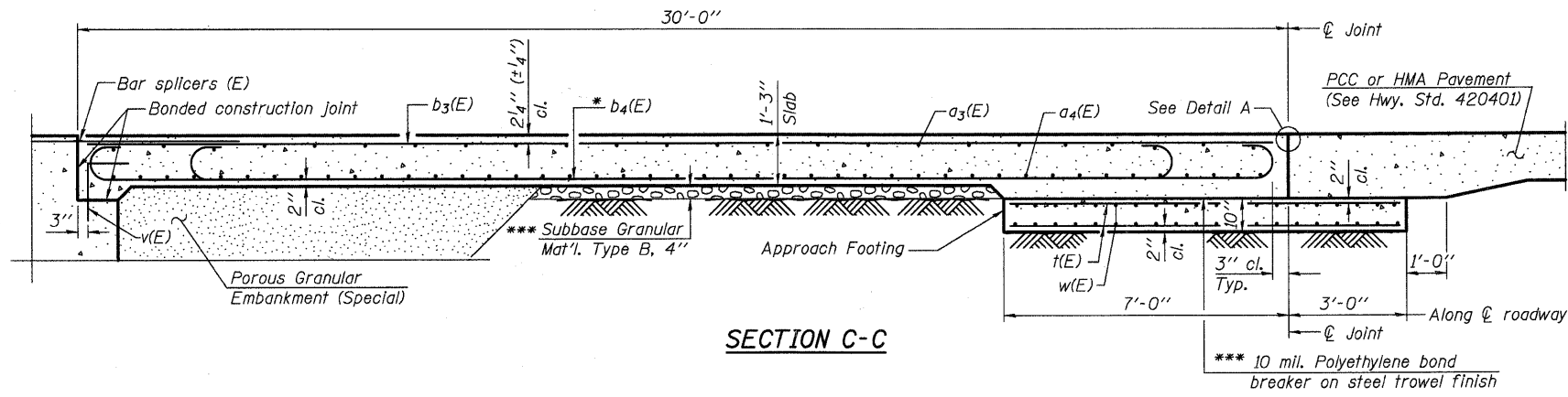
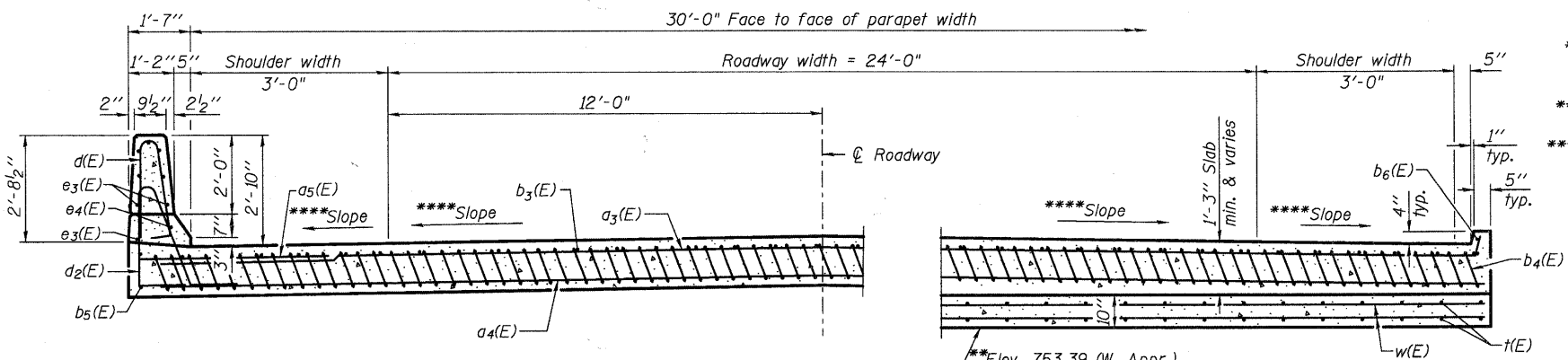


Notes:
 See Sheet 9 of 21 for Detail A and View B-B.
 Approach slab and parapet concrete shall be paid for as Concrete Superstructure.
 Approach footing concrete shall be paid for as Concrete Structures.
 Reinforcement shall be paid for as Reinforcement Bars, Epoxy Coated.
 For v(E) bar details, see Sheet 8 of 21.
 The approach footing maximum applied service bearing pressure (Qmax) = 2.0 ksf.
 For bar splicer details, see Sheet 19 of 21.
 Cost of excavation for approach footing included with Concrete Structures.
 For Porous Granular Embankment (Special) and drainage treatment details, see Sheet 2 of 21.
 For additional parapet details, see Sheet 9 of 21.



SECTION C-C



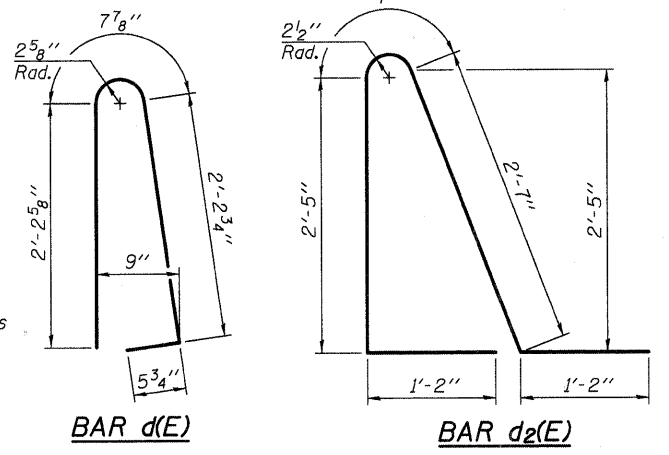
NEAR ABUTMENT

SECTION D-D

AT APPROACH FOOTING

(See Plan for dimensions not shown)

- * Tilt #9 b4(E) bars as required to maintain clearance.
- ** East approach footing to be constructed parallel to bottom of approach slab.
- *** Cost included with Concrete Superstructure.
- **** Slope varies due to superelevation transition. See sheets 5 & 6 of 21 for Top of Approach Slab Elevations.

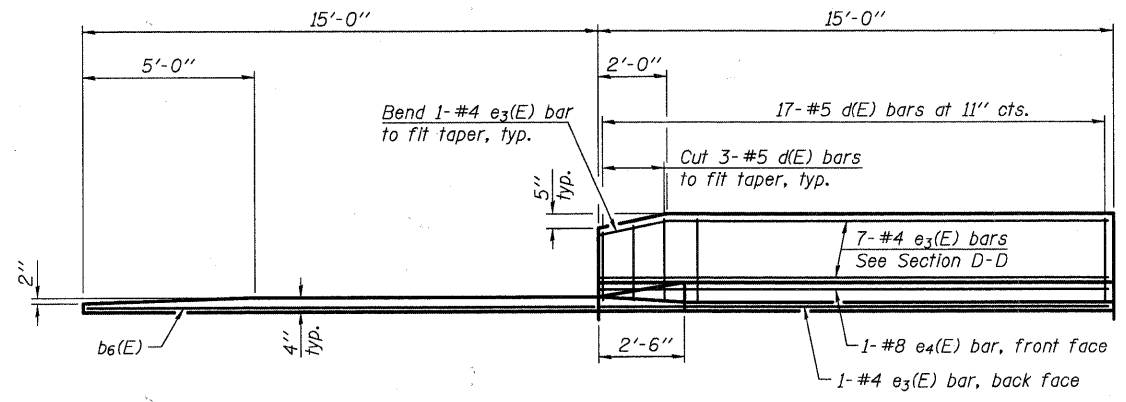


BAR d(E)

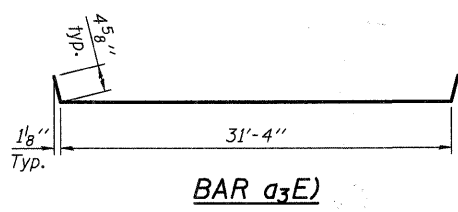
BAR d2(E)

TWO APPROACHES
 BILL OF MATERIAL

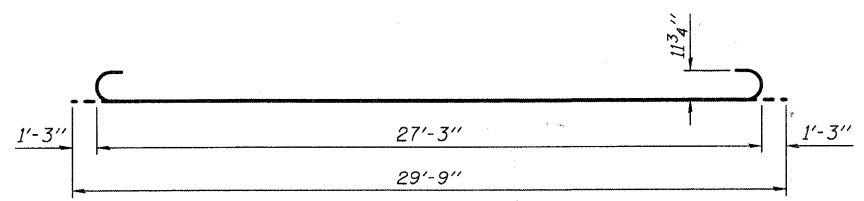
Bar	No.	Size	Length	Shape
a3(E)	50	#4	32'-1"	┌───┐
a4(E)	92	#5	31'-6"	┌───┐
a5(E)	52	#6	6'-6"	┌───┐
b3(E)	52	#4	29'-8"	┌───┐
b4(E)	148	#9	29'-9"	┌───┐
b5(E)	4	#4	14'-8"	┌───┐
b6(E)	4	#4	14'-8"	┌───┐
d(E)	68	#5	5'-7"	┌───┐
d2(E)	68	#5	7'-11"	┌───┐
e3(E)	32	#4	14'-8"	┌───┐
e4(E)	4	#8	14'-8"	┌───┐
t(E)	132	#4	9'-8"	┌───┐
w(E)	80	#5	31'-6"	┌───┐
Concrete Superstructure			Cu. Yd.	103.4
Concrete Structures			Cu. Yd.	19.7
Reinforcement Bars, Epoxy Coated			Pound	25,590



VIEW E-E



BAR a3(E)



BAR b4(E)

DESIGNED - AEU
CHECKED - DLS
DRAWN - AWH
CHECKED - AEU

BA-0 11-1-09

(Sheet 2 of 2)
 BRIDGE APPROACH SLAB DETAILS
 STRUCTURE NO. 045-3020

WILLS BURKE KELSEY ASSOCIATES LTD. 116 West Main Street, Suite 201 St. Charles, Illinois 60174 (630) 443-7755	SHEET NO. 10	F.A.U.	SECTION	COUNTY	TOTAL SHEETS	SHEET NO.
	21 SHEETS	2332	03-14185-02-BR	KANE	73	34
		CONTRACT NO. 63521		FED. ROAD DIST. NO. ILLINOIS FED. AID PROJECT		

FILE NAME = PACBBL\MEST Projects\2009\05-0802_Bolton_Plan\Structure\Draw\0453020-63521-02-Approach-Slab2.dwg
 PLOT CREATION DATE = 10/19/2010