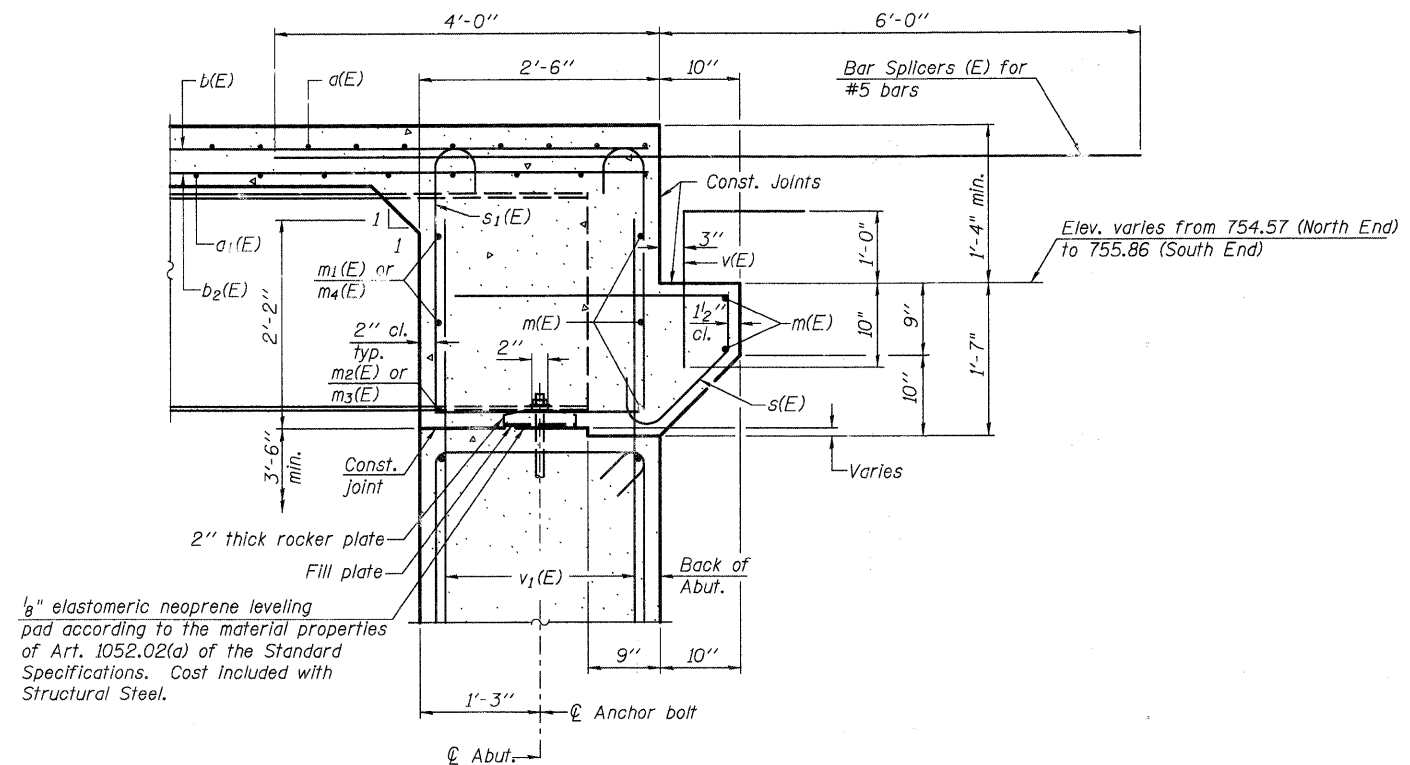


DIAPHRAGM ELEVATION AT ABUTMENT

Notes:
 Reinforcement bars in diaphragm are billed with superstructure on Sheet 8 of 21.
 Concrete in diaphragm is included with Concrete Superstructure on Sheet 8 of 21.
 For details of bars s(E) & s1(E) see Sheet 8 of 21.

MIN. BAR LAP
 #6 bar = 3'-4"



SECTION A-A

**EAST ABUTMENT
 DIAPHRAGM DETAILS
 STRUCTURE NO. 045-3020**

DESIGNED - AEU
CHECKED - DLS
DRAWN - AWH
CHECKED - AEU

SI-DS2

11-1-09

WILLS BURKE KELSEY ASSOCIATES LTD.
 116 West Main Street, Suite 201
 St. Charles, Illinois 60174
 (630) 443-7755

SHEET NO. 12
 21 SHEETS

F.A.U.	SECTION	COUNTY	TOTAL SHEETS	SHEET NO.
2332	03-14185-02-BR	KANE	73	36
CONTRACT NO. 63521				
FED. ROAD DIST. NO.	ILLINOIS	FED. AID PROJECT		