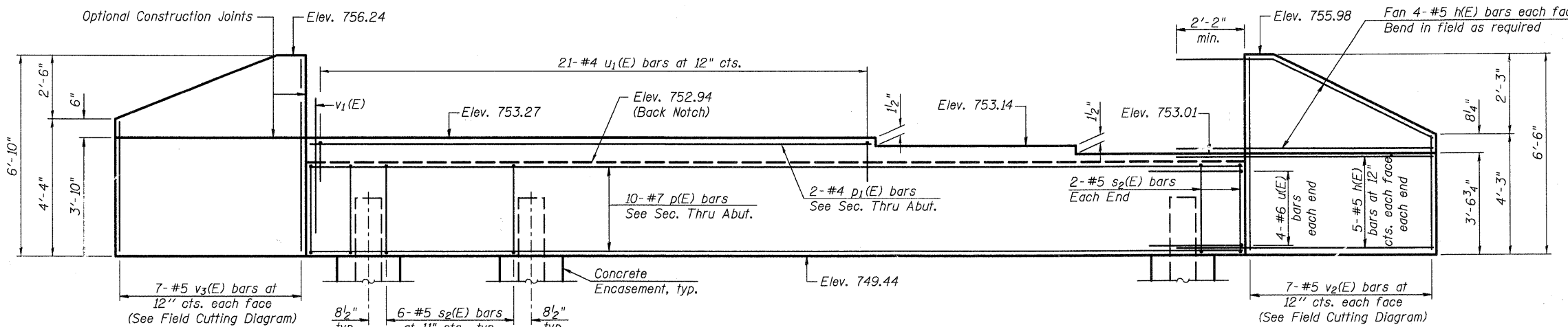
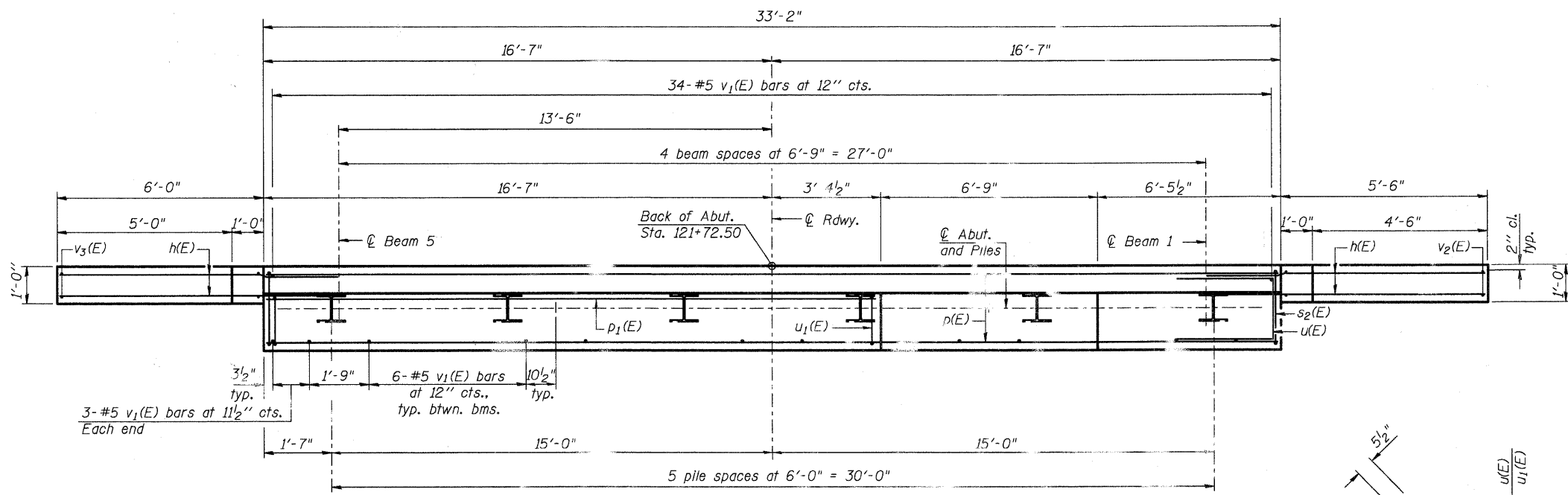


Notes:  
Pour steps monolithically with cap.

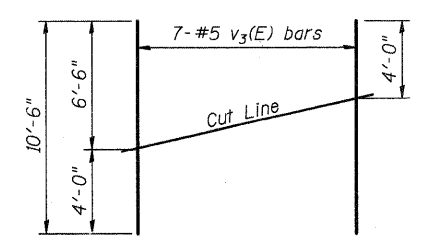


**ELEVATION**



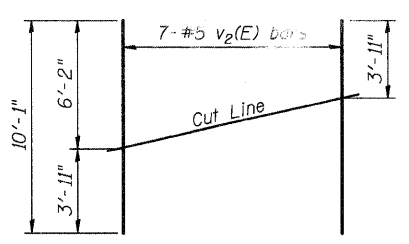
**PLAN**

**PILE DATA**  
Type: Steel HP 12x53 w/ Pile Shoes  
Nominal Required Bearing: 419  
Factored Resistance Available: 209  
Est. Length: 25'  
No. Production Piles: 5  
No. Test Piles: 1



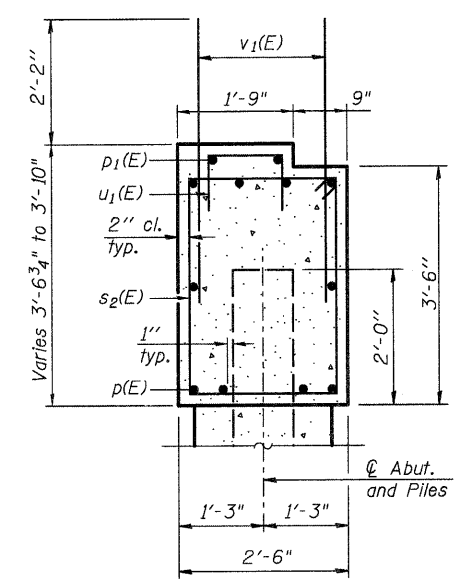
**FIELD CUTTING DIAGRAM**

Order v3(E) bars full length. Cut as shown and use remainder of bars in opposite face.



**FIELD CUTTING DIAGRAM**

Order v2(E) bars full length. Cut as shown and use remainder of bars in opposite face.

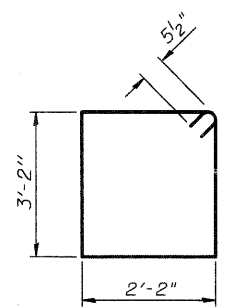


**SEC. THRU ABUT.**

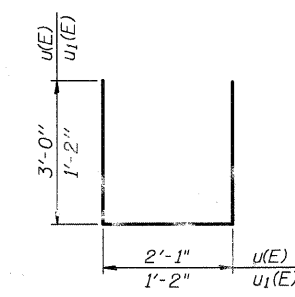
**BILL OF MATERIAL**

Bar	No.	Size	Length	Shape
h(E)	36	#5	8'-0"	—
p(E)	10	#7	32'-10"	—
p1(E)	2	#4	19'-7"	—
s2(E)	34	#5	11'-7"	□
u(E)	8	#6	8'-1"	—
u1(E)	21	#4	3'-6"	—
v1(E)	64	#5	4'-4"	—
v2(E)	7	#5	10'-1"	—
v3(E)	7	#5	10'-6"	—
Structure Excavation		Cu. Yd.	92	
Concrete Structures		Cu. Yd.	13.7	
Concrete Encasement		Cu. Yd.	2.1	
Reinforcement Bars, Epoxy Coated		Pound	1,990	
Furnishing Steel Piles, HP 12x53		Foot	125	
Driving Piles		Foot	125	
Test Pile Steel HP 12x53		Each	1	
Pile Shoes		Each	6	

For details of piles and Concrete Encasement, see sheet 18 of 21.



**BAR s2(E)**



**BARS u(E) & u1(E)**

**WILLS BURKE KELSEY ASSOCIATES LTD.**  
116 West Main Street, Suite 201  
St. Charles, Illinois 60174  
(630) 443-7755

SHEET NO. 15  
21 SHEETS

F.A.U.	SECTION	COUNTY	TOTAL SHEETS	SHEET NO.
2332	03-14185-02-BR	KANE	73	39
CONTRACT NO. 63521				
FED. ROAD DIST. NO.	ILLINOIS	FED. AID PROJECT		

**WEST ABUTMENT DETAILS  
STRUCTURE NO. 045-3020**

FILE NAME = F:\CBBEL\WEST Project\2009\09-0082\Bocum PHA\Structural\09\0453020-63521-015-W\_Abut\_Details.dgn