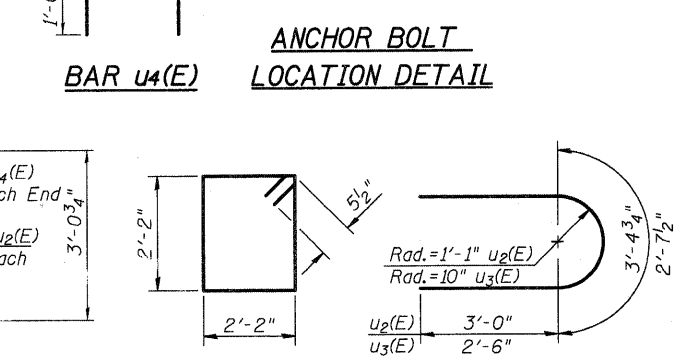
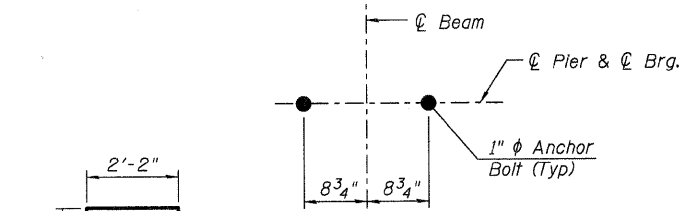
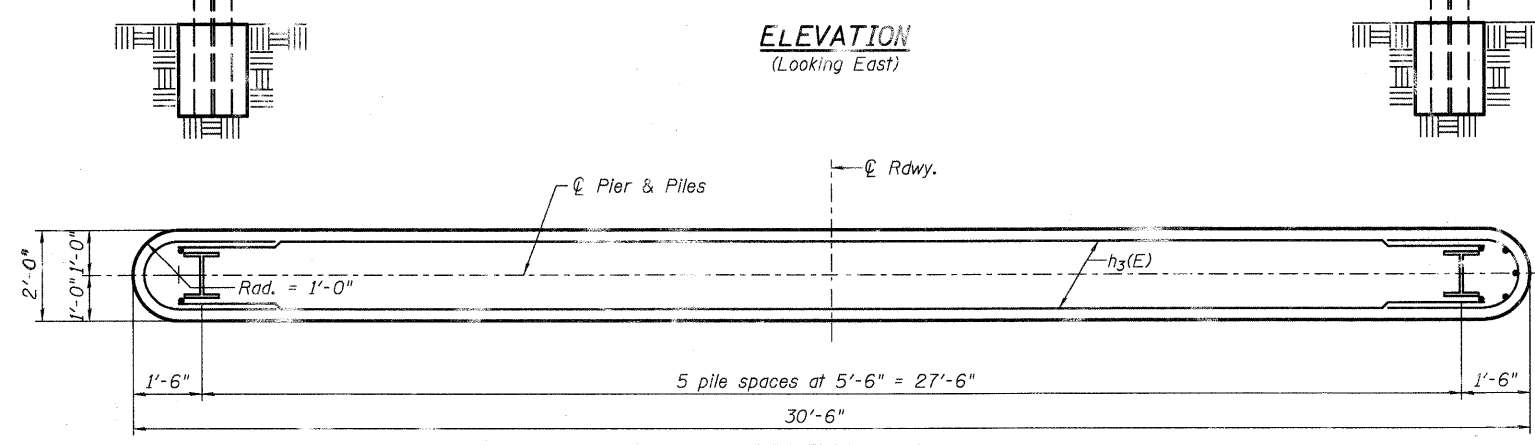
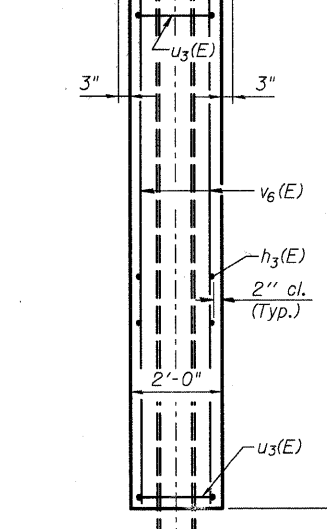
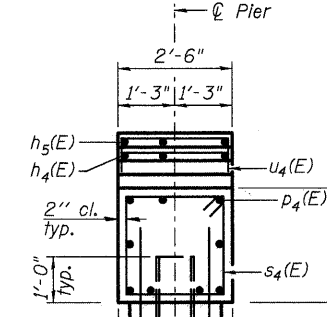
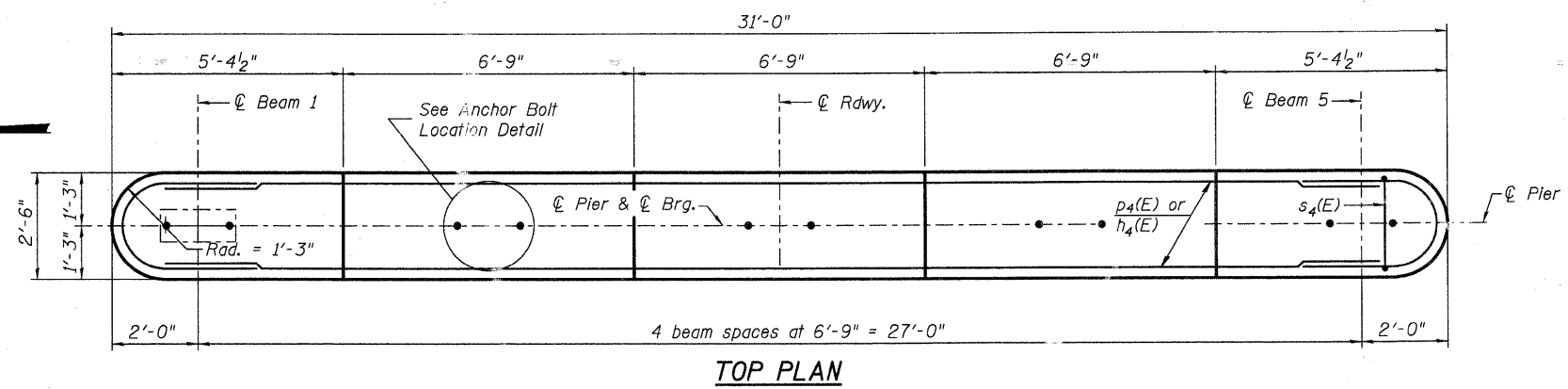


Notes:
 Space reinforcement in cap to miss anchor bolts.
 Pour steps monolithically with cap.
 For details of piles, see sheet 18 of 21.

PILE DATA

Type: Steel HP 14x73
 Nominal Required Bearing: Set in Rock
 Factored Resistance Available: 259 kips
 Est. Length: 32'
 No. Production Piles: 6
 No. Test Piles: 0
 Estimated Top of Rock: 722.00
 Rock Socket Depth: 2'
 Rock Socket Diameter: 1'-6"



BILL OF MATERIAL

Bar	No.	Size	Length	Shape
$h_3(E)$	28	#5	28'-6"	—
$h_4(E)$	3	#5	10'-8"	—
$h_5(E)$	3	#5	4'-0"	—
$p_4(E)$	8	#7	28'-6"	—
$s_4(E)$	32	#5	9'-7"	□
$u_2(E)$	8	#6	9'-5"	U
$u_3(E)$	28	#5	7'-8"	U
$u_4(E)$	19	#4	4'-2"	U
$v_6(E)$	66	#5	15'-2"	—
Cofferdam Excavation		Cu. Yd.	58	
Cofferdam, Location 1		Each	1	
Concrete Structures		Cu. Yd.	36.4	
Seal Coat Concrete		Cu. Yd.	24.8	
Reinforcement Bars, Epoxy Coated		Pound	3,100	
Furnishing Steel Piles, HP 14x73		Foot	192	
Setting Piles in Rock		Each	6	

**PIER DETAILS
 STRUCTURE NO. 045-3020**

DESIGNED - AEU
 CHECKED - DLS
 DRAWN - AWH
 CHECKED - AEU

WILLS BURKE KELSEY ASSOCIATES LTD.
 116 West Main Street, Suite 201
 St. Charles, Illinois 60174
 (630) 443-7755

SHEET NO. 17 21 SHEETS	F.A.U.	SECTION	COUNTY	TOTAL SHEETS	SHEET NO.
	2332	03-14185-02-BR	KANE	73	41
CONTRACT NO. 63521					
FED. ROAD DIST. NC.		ILLINOIS	FED. AID PROJECT		

FILE NAME = P:\CIBEL WEST Projects\2007\045-3020\045-3020-63521-017-Per_Detail.dgn