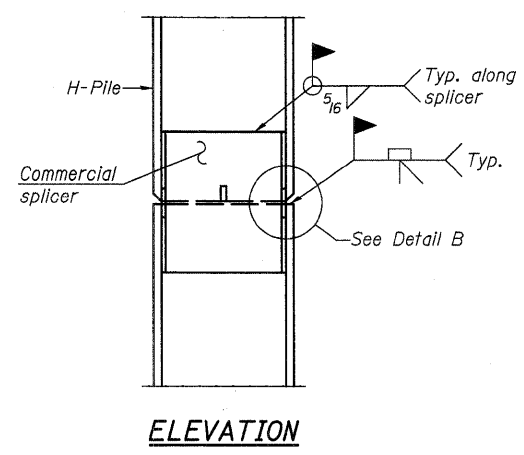
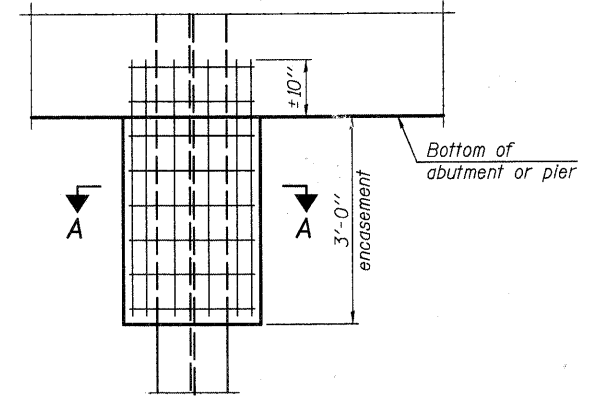


**STEEL PILE TABLE**

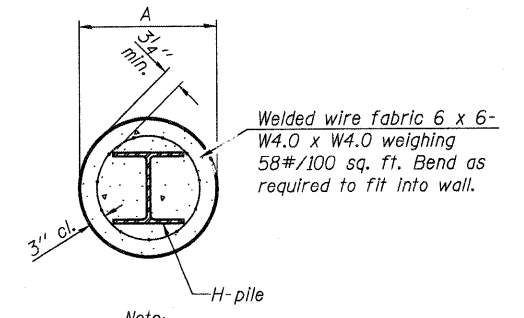
Designation	Depth d	Flange width br	Web and Flange thickness t	Encasement diameter A
HP 14x117	14 1/4"	14 7/8"	13/16"	30"
x102	14"	14 3/4"	1/16"	30"
x89	13 7/8"	14 3/4"	5/8"	30"
x73	13 5/8"	14 5/8"	1/2"	30"
HP 12x84	12 1/4"	12 1/4"	1/16"	24"
x74	12 1/8"	12 1/4"	5/8"	24"
x63	12"	12 1/8"	1/2"	24"
x53	11 3/4"	12"	7/16"	24"
HP 10x57	10"	10 1/4"	9/16"	24"
x42	9 3/4"	10 1/8"	7/16"	24"
HP 8x36	8"	8 1/8"	7/16"	18"



**ELEVATION**



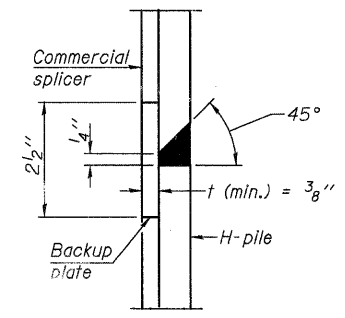
**ELEVATION**



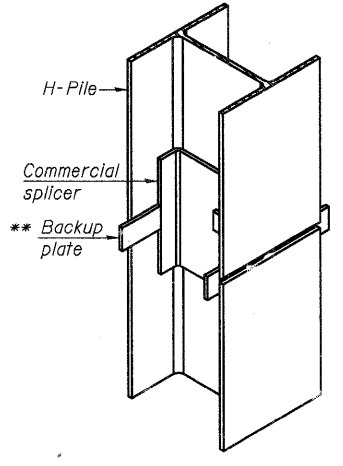
**SECTION A-A**

Note: Forms for encasement may be omitted when soil conditions permit.

**PILE ENCASEMENT**

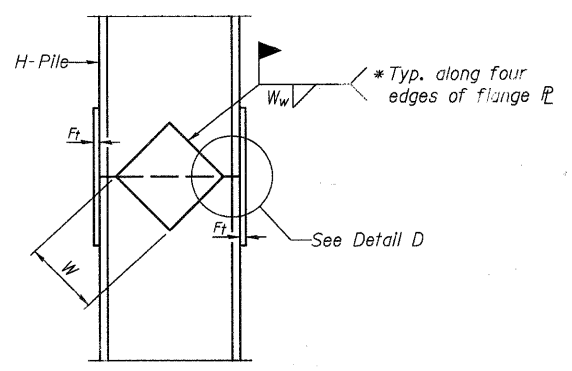


**DETAIL "B"**

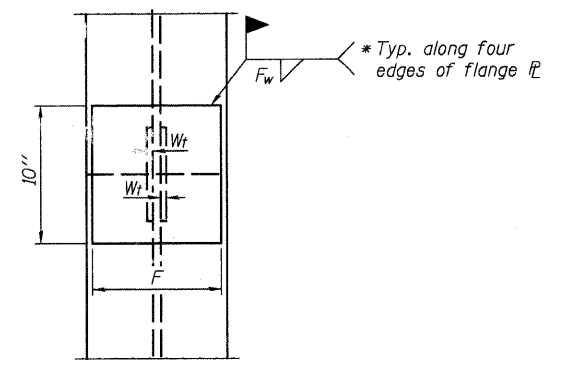


**ISOMETRIC VIEW**

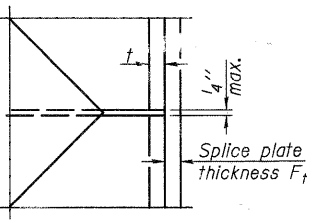
**WELDED COMMERCIAL SPLICE**



**ELEVATION**



**END VIEW**



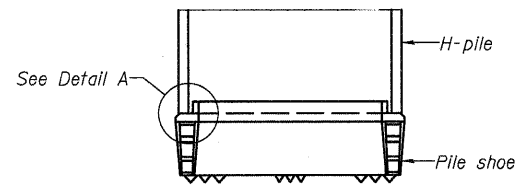
**DETAIL D**

**WELDED PLATE FIELD SPLICE**

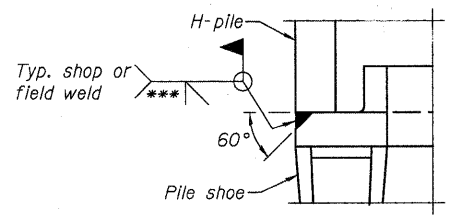
Designation	F	Ft	Fw	W	Wt	Ww
HP 14x117	12 1/2"	1"	7/8"	7 3/4"	5/8"	1/2"
x102	12 1/2"	7/8"	3/4"	7 3/4"	5/8"	1/2"
x89	12 1/2"	3/4"	1/16"	7 3/4"	5/8"	1/2"
x73	12 1/2"	5/8"	9/16"	7 3/4"	5/8"	1/2"
HP 12x84	10"	7/8"	1/16"	6 1/2"	5/8"	1/2"
x74	10"	7/8"	1/16"	6 1/2"	5/8"	1/2"
x63	10"	5/8"	1/2"	6 1/2"	1/2"	3/8"
x53	10"	5/8"	1/2"	6 1/2"	1/2"	3/8"
HP 10x57	8"	3/4"	9/16"	5 1/4"	1/2"	3/8"
x42	8"	5/8"	9/16"	5 1/4"	1/2"	3/8"
HP 8x36	7"	5/8"	7/16"	4 1/4"	1/2"	3/8"

Note: The steel H-piles shall be according to AASHTO M270 Grade 50.

**HP PILE DETAILS  
STRUCTURE NO. 045-3020**

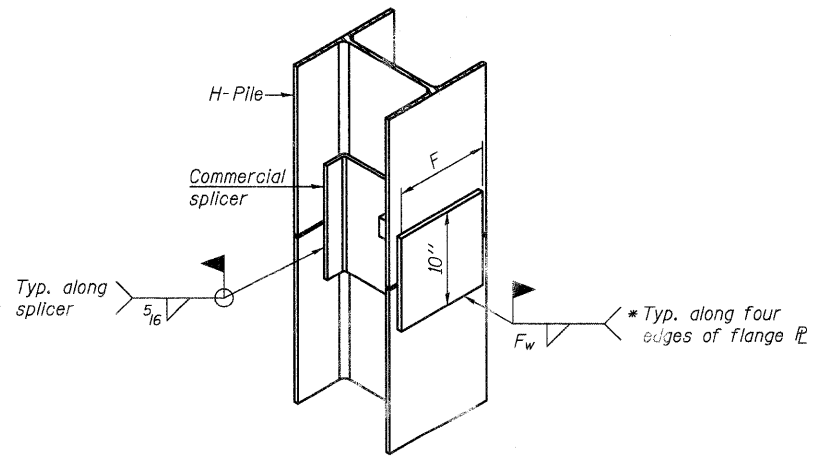


**ELEVATION**



**DETAIL A**

**H-PILE SHOE ATTACHMENT**



**ISOMETRIC VIEW**

**WELDED COMMERCIAL SPLICE ALTERNATE**

- \* Interrupt welds 1/4" from end of web and/or each flange.
- \*\* Remove portions of backup plates that extend outside the flanges.
- \*\*\* Weld size per pile shoe manufacturer (5/16" min.).

DESIGNED - AEU
CHECKED - DS
DRAWN - AWH
CHECKED - AEU

F-HP 11-1-09

**WILLS BURKE KELSEY ASSOCIATES LTD.**  
116 West Main Street, Suite 201  
St. Charles, Illinois 60174  
(630) 443-7755

SHEET NO. 18 21 SHEETS	F.A.U.	SECTION	COUNTY	TOTAL SHEETS	SHEET NO.
	2332	03-14185-02-BR	KANE	73	42
CONTRACT NO. 63521					
FED. ROAD DIST. NO.		ILLINOIS	FED. AID PROJECT		

FILE NAME = P:\CIBEL\MEST Projects\2009\08-0822\08-0822-63521-018-H-pile-Details.dgn