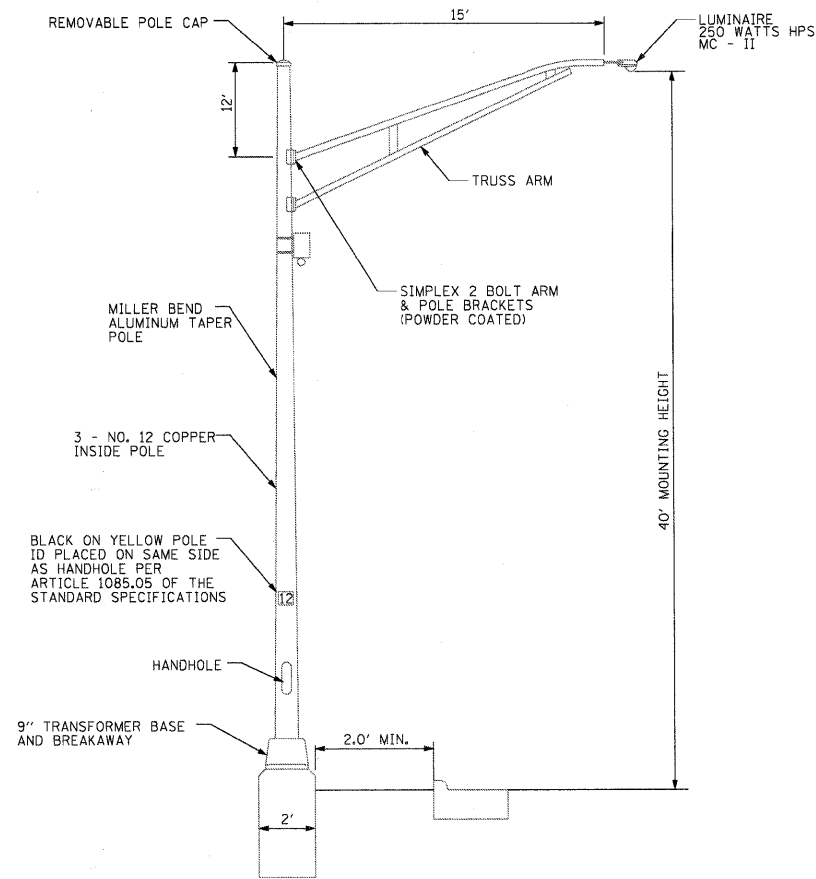


LIGHT POLE SCHEDULE					
POLE NUMBER	POLE TYPE	FOUNDATION TYPE	LUMINAIRE		
			WATTAGE	CKT. #	CUT OFF
P-1			250W	4	MC-II
P-2			250W	4	MC-II
P-3			250W	4	MC-II
P-4			400W	4	MC-II
P-5			400W	4	MC-II
P-6			400W	4	MC-II
P-7			400W	4	MC-II
P-8			250W	4	MC-II
P-9			250W	4	MC-II
P-10			250W	4	MC-II
P-11			250W	4	MC-II
P-12	TYPE-II	TYPE-II	400W	2-1	MC-II
P-13	TYPE-II	TYPE-II	400W	4-1	MC-II
P-14	TYPE-II	TYPE-II	400W	2-2	MC-II
P-15	TYPE-II	TYPE-II	400W	4-2	MC-II
P-16	TYPE-I		250W	3	MC-II
P-17	TYPE-I		250W	3	MC-II
P-18	TYPE-I		250W	3	MC-II
P-19			250W	3	MC-II
P-20			250W	3	MC-II
P-21			400W	1	MC-III
P-22		BE-301	250W	1	MC-III
P-23	TYPE-II	BE-301	250W	1	MC-III
P-24	TYPE-I	BE-301	250W	1	MC-III
P-25	TYPE-I	BE-301	250W	1	MC-III
P-26	TYPE-I	BE-301	250W	3	MC-III
P-27	TYPE-I		400W	1	MC-III
P-28	TYPE-I	BE-301	250W	1	MC-III
P-29	TYPE-II	BE-301	250W	1	MC-III
P-30	TYPE-I	BE-301	250W	1	MC-III
P-31	TYPE-I	BE-301	250W	4	MC-III
P-32	TYPE-I		400W	2	MC-III
P-33	TYPE-I	BE-301	250W	2	MC-III
P-34	TYPE-II	BE-301	250W	2	MC-III
P-35	TYPE-I	BE-301	250W	2	MC-III
P-36	TYPE-I	BE-301	250W	2	MC-III
P-37	TYPE-I	BE-301	250W	4	MC-III
P-38	TYPE-I		400W	2	MC-III
P-39	TYPE-I	BE-301	250W	2	MC-III
P-40	TYPE-II	BE-301	250W	2	MC-III
P-41	TYPE-I	BE-301	250W	2	MC-III
P-42	TYPE-I	BE-301	250W	3	MC-III
P-43	TYPE-I	BE-301	250W	2	MC-III
P-44	TYPE-I	BE-301	250W	2	MC-III

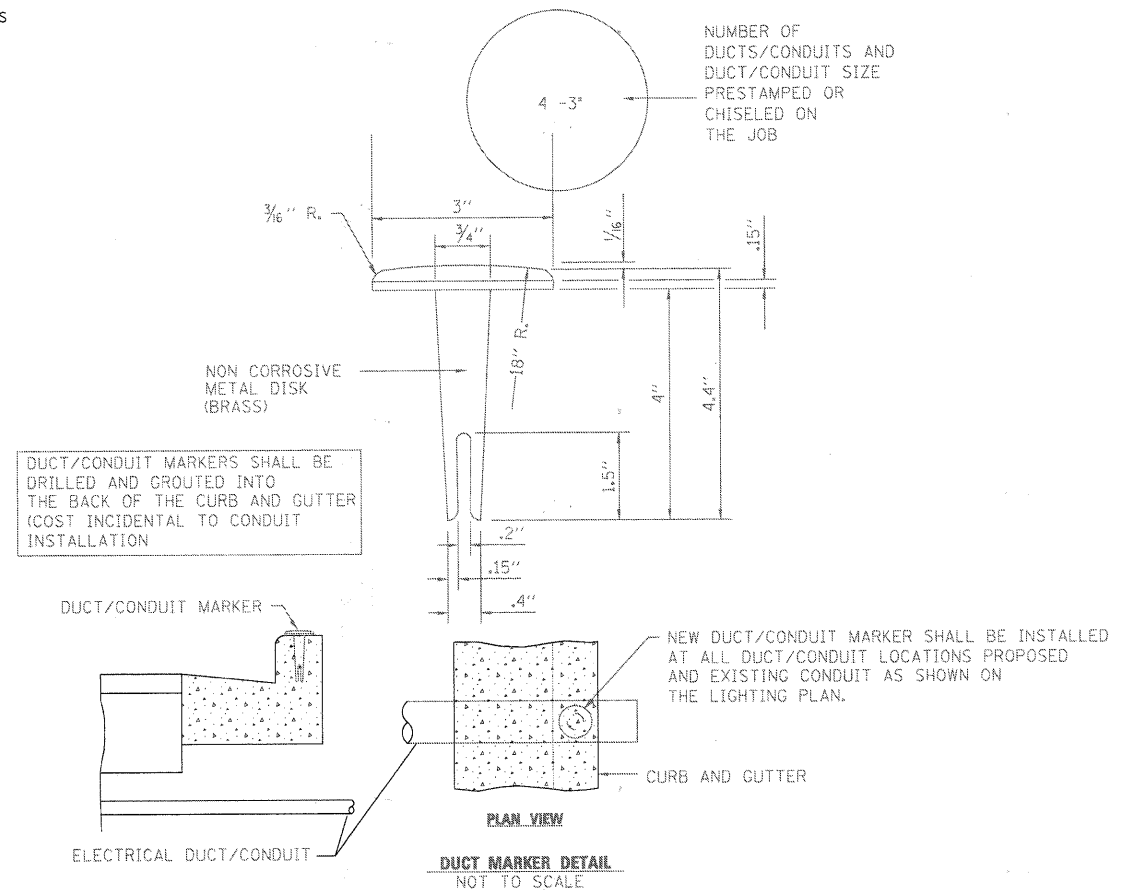
EXISTING POLES TO REMAIN

EXISTING POLES TO BE REMOVED

EXISTING POLES TO REMAIN



LIGHT POLE (TYPE-I)



DUCT MARKER DETAIL
NOT TO SCALE

FOR TYPE II COMBINATION LIGHT POLE FOUNDATION DETAIL, SEE IDOT STANDARDS 877011-04 AND 877012-01.

FILE NAME = I:\nonresco\9829\9829\Drawings\cadd\1111\1111.dwg