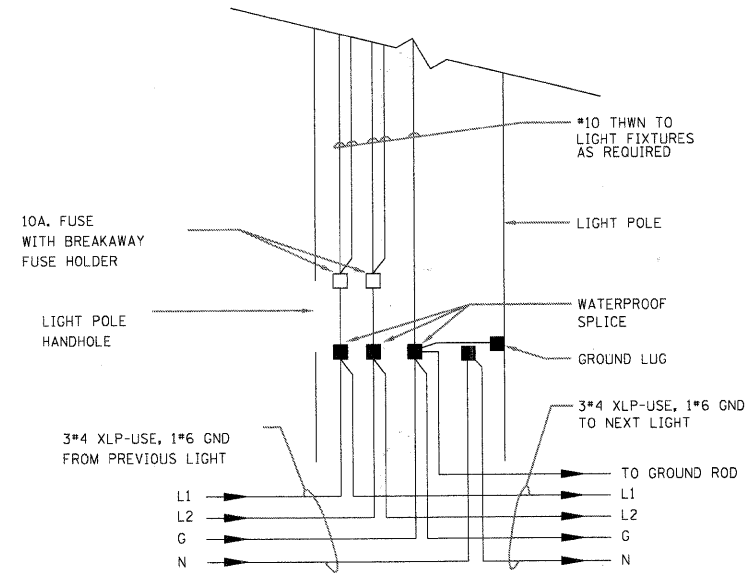


ROADWAY LIGHTING CONTROLLER ONE-LINE

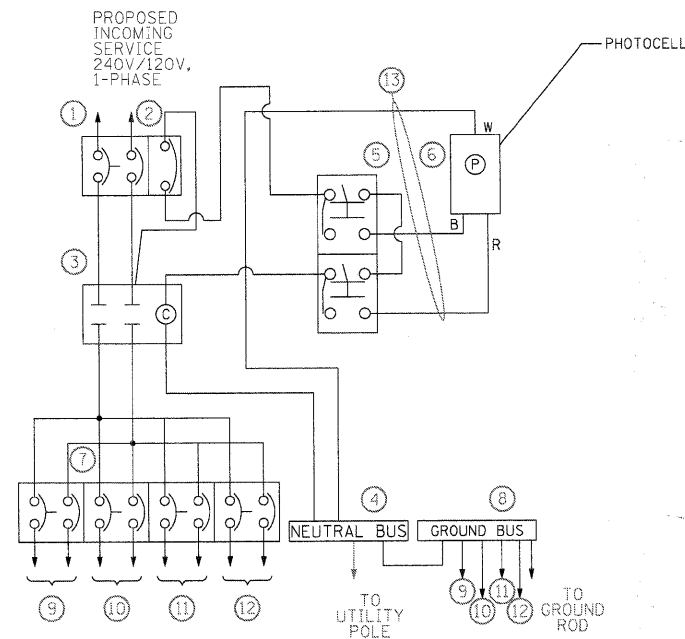
RANDALL ROAD/ FABYAN PKWY

LOAD SCHEDULE		
CIRCUIT #	AMPERES	WATTAGE
1	13.28	2550
2	15.88	3050
3	9.11	1750
4	16.92	3250



LIGHT POLE HANDHOLE WIRING DIAGRAM
NOT TO SCALE

- NOTES:
- 1- ALL CONNECTIONS TO GROUND RODS SHALL BE MADE WITH ONE-SHOT EXOTHERMIC TYPE CONNECTORS, CADWELD, OR EQUAL.
 - 2- ALL POLES SHALL HAVE AT LEAST ONE FIXTURE ON EACH CIRCUIT.



PROPOSED ROADWAY LIGHTING CONTROLLER SCHEMATIC

NOTE: REFER TO IDOT STANDARD 825021 FOR LIGHTING CONTROLLER DETAILS

NOMENCLATURE

- 1 PROPOSED 2P, 100A MAIN BREAKER. BREAKER SHALL BE SQUARE D MODEL FAL220100 (OR EQUAL)
- 2 PROPOSED 1P, 20A CONTROL BREAKER. BREAKER SHALL BE SQUARE D MODEL FAL12015 (OR EQUAL)
- 3 PROPOSED 2P, 100A LIGHTING CONTACTOR. CONTACTOR SHALL BE SQUARE D MODEL 8903, SPO-1 WITH 120V COIL (OR EQUAL)
- 4 PROPOSED NEUTRAL BUS
- 5 PROPOSED HOA SWITCH. SWITCH SHALL BE SQUARE D MODEL 9001 KYK-111 (OR EQUAL)
- 6 PROPOSED PHOTOCELL ON POLE CLOSEST TO CONTROLLER. PHOTOCELL SHALL BE 1800W MIN.
- 7 PROPOSED BRANCH BREAKERS. BREAKERS SHALL BE 2P, 50A SQUARE D MODEL FAL22050 (OR EQUAL)
- 8 PROPOSED GROUND BUS
- 9 PROPOSED 2#4 XLP-USE, 1#4 NEUTRAL, 1#6 GND. IN 1/4" UNIT DUCT TO PROPOSED LIGHTING (CIRCUIT #1)
- 10 PROPOSED 2#4 XLP-USE, 1#4 NEUTRAL, 1#6 GND. IN 1/4" UNIT DUCT TO PROPOSED LIGHTING (CIRCUIT #2)
- 11 PROPOSED 2#4 XLP-USE, 1#4 NEUTRAL, 1#6 GND. IN 1/4" UNIT DUCT TO PROPOSED LIGHTING (CIRCUIT #3)
- 12 PROPOSED 2#4 XLP-USE, 1#4 NEUTRAL, 1#6 GND. IN 1/4" UNIT DUCT TO PROPOSED LIGHTING (CIRCUIT #4)
- 13 PROPOSED 3#12 XLP-USE, 1#12 GND. IN 3/4" GRSC TO PROPOSED PHOTOCELL

FILE NAME = I:\harcoco\09250923\Draw\cadd\sheet\AE.DETAIL.S.02.dgn



USER NAME = Matt Baldwin	DESIGNED - AS	REVISED -
PLOT SCALE = 10.0000 / IN.	DRAWN - ERD	REVISED -
PLOT DATE = 12/29/2010	CHECKED - AB	REVISED -
	DATE - 12/29/2010	REVISED -

**STATE OF ILLINOIS
DEPARTMENT OF TRANSPORTATION**

ELECTRICAL DETAILS - 2

SCALE: N.T.S. SHEET NO. 3 OF 4 SHEETS STA. TO STA.

F.A.P. RTE.	SECTION	COUNTY	TOTAL SHEETS	SHEET NO.
336	01-00269-00-CH	KANE	124	84
				CONTRACT NO. 63533
ILLINOIS FED. AID PROJECT				