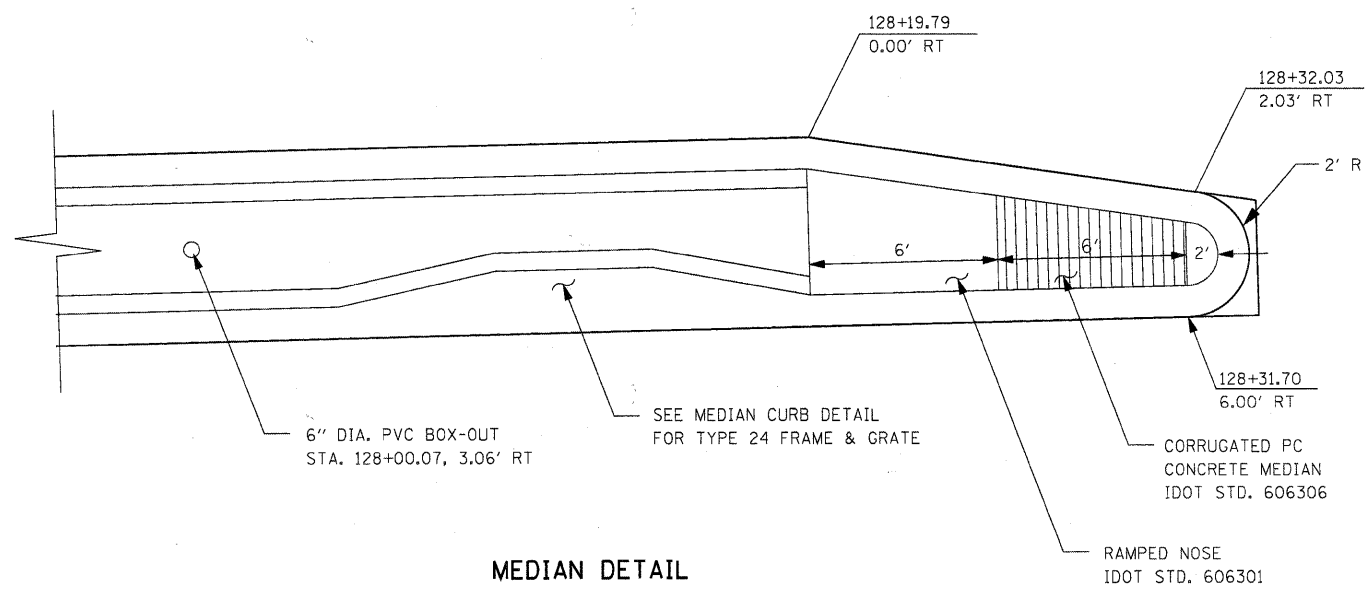
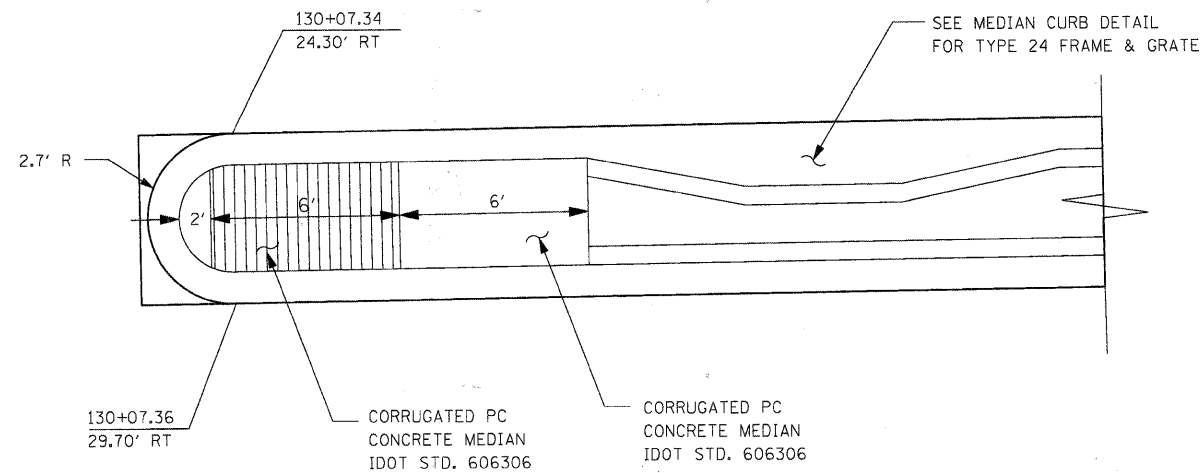


MEDIAN CURB DETAIL  
FOR TYPE 24 FRAME & GRATE



MEDIAN DETAIL  
FABYAN PARKWAY - WEST APPROACH



MEDIAN DETAIL  
FABYAN PARKWAY - EAST APPROACH

FILE NAME = I:\projects\0226683\dr\plan\med\_ahlecto\AR\_DETAIL\_S.01.dgn



USER NAME = Matt Baldwin	DESIGNED -	REVISED -
PLOT SCALE = 3/8" = 1' IN.	DRAWN -	REVISED -
PLOT DATE = 12/29/2010	CHECKED -	REVISED -
	DATE = 12/29/2010	REVISED -

STATE OF ILLINOIS  
DEPARTMENT OF TRANSPORTATION

CONSTRUCTION DETAILS - 1

SCALE: N.T.S. SHEET NO. OF SHEETS STA. TO STA.

F.A.P. RTE.	SECTION	COUNTY	TOTAL SHEETS	SHEET NO.
336	01-00269-00-CH	KANE	124	85
CONTRACT NO. 63533				
ILLINOIS FED. AID PROJECT				