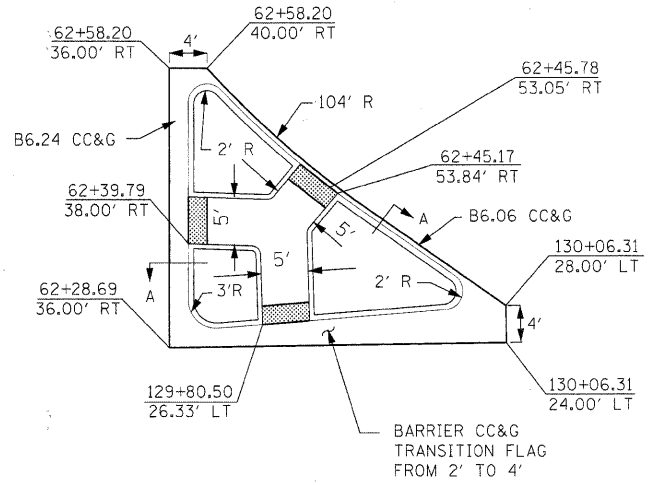
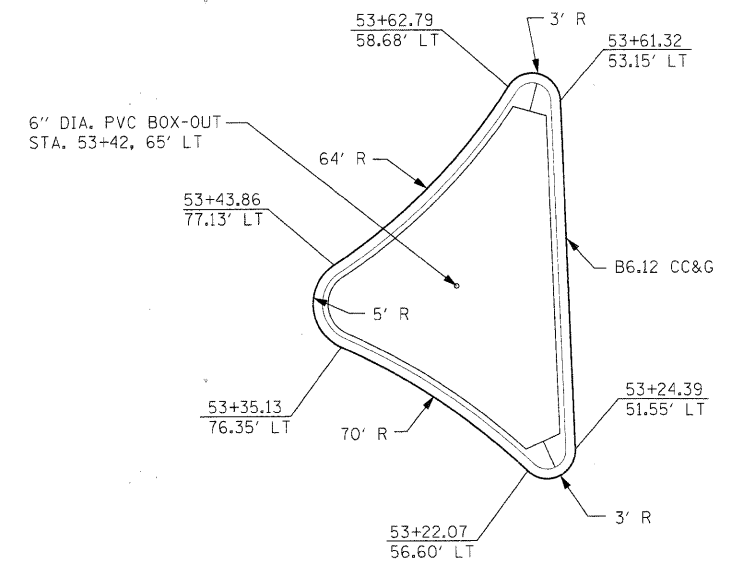


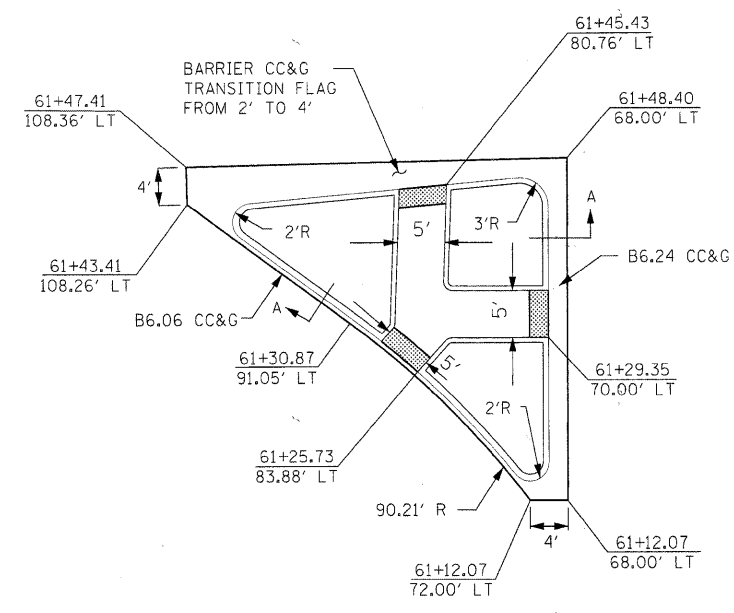
RANDALL RD/FABYAN PKWY
INTERSECTION ISLAND
NORTH WEST QUADRANT



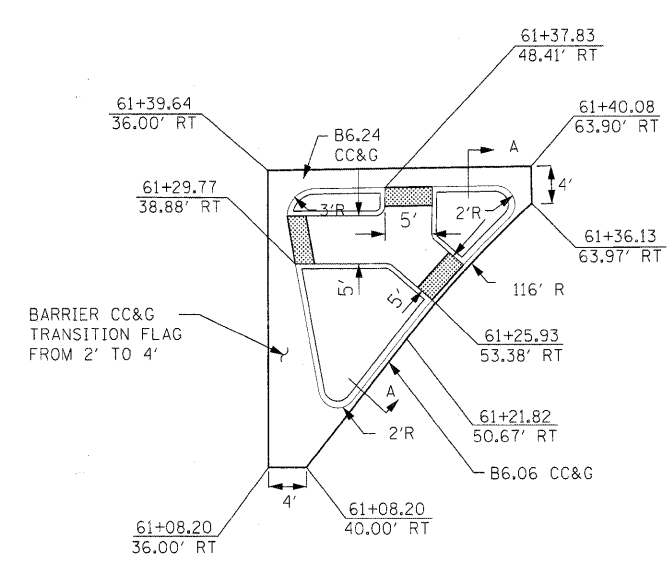
RANDALL RD/FABYAN PKWY
INTERSECTION ISLAND
NORTH EAST QUADRANT



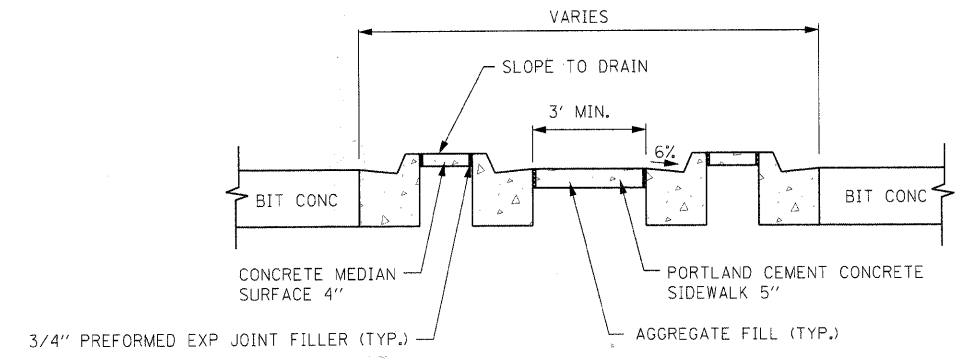
RANDALL RD/SOUTH DR
INTERSECTION ISLAND



RANDALL RD/FABYAN PKWY
INTERSECTION ISLAND
SOUTH WEST QUADRANT



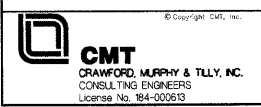
RANDALL RD/FABYAN PKWY
INTERSECTION ISLAND
SOUTH EAST QUADRANT



SECTION A-A

- NOTE:
1. THE SIDEWALK SHOULD DRAIN TO THE LOW SIDE OF THE ISLAND. IF NECESSARY THE SIDEWALK SHALL BE SLOPED TO DRAIN AT A MAXIMUM 2% GRADE.
 2. CURB & GUTTER ADJACENT TO THE WALKWAY IN THE INTERIOR OF THE ISLAND SHALL HAVE 6" GUTTER FLAGS.
 3. THE SIDEWALK SHOULD NOT BE CLOSER THAN 3.0' FROM THE CORNER OF THE ISLAND.
 4. ISLANDS SHALL CONSIST OF PCC SIDEWALK 5", CONCRETE MEDIAN SURFACE 4", AND COMBINATION CONCRETE CURB & GUTTER, TYPE M OR B OF THE SIZE SPECIFIED. MEDIAN ISLANDS CAN ALSO BE SOLID CONCRETE MEDIANS.
 5. LOCATION, LAYOUT, AND WIDTHS OF THE FLUSH SIDEWALK AREA, SHALL BE DETERMINED BY THE DESIGNER AND SHOWN ON THE PLANS.
 6. THE ISLANDS WILL BE MEASURED FOR PAYMENT FROM E.O.P. TO E.O.P. AND WILL BE PAID FOR AT THE CONTRACT UNIT PRICE PER SQ. FT. FOR CONCRETE ISLAND, SPECIAL, WHICH SHALL INCLUDE THE COMBINATION CURB & GUTTER, SIDEWALK, AGGREGATE FILL, AND CONCRETE MEDIAN SURFACE.

FILE NAME = L:\KANE\CD\0929\B03\Draw\Exhibits\McClements\CADD_Sheets\A\I\DETAILS_02.dgn



USER NAME = Matt Balowin	DESIGNED - PWK	REVISED -
PLOT SCALE = 10.0000 "/td> <td>DRAWN - ERD</td> <td>REVISED -</td>	DRAWN - ERD	REVISED -
PLOT DATE = 2/7/2011	CHECKED - KDF	REVISED -
	DATE - 12/29/2010	REVISED -

**STATE OF ILLINOIS
DEPARTMENT OF TRANSPORTATION**

CONSTRUCTION DETAILS - 2

SCALE: 1"=10' SHEET NO. OF SHEETS STA. TO STA.

F.A.P. RTE.	SECTION	COUNTY	TOTAL SHEETS	SHEET NO.
336	01-00269-00-CH	KANE	124	86
CONTRACT NO. 63533				
ILLINOIS FED. AID PROJECT				