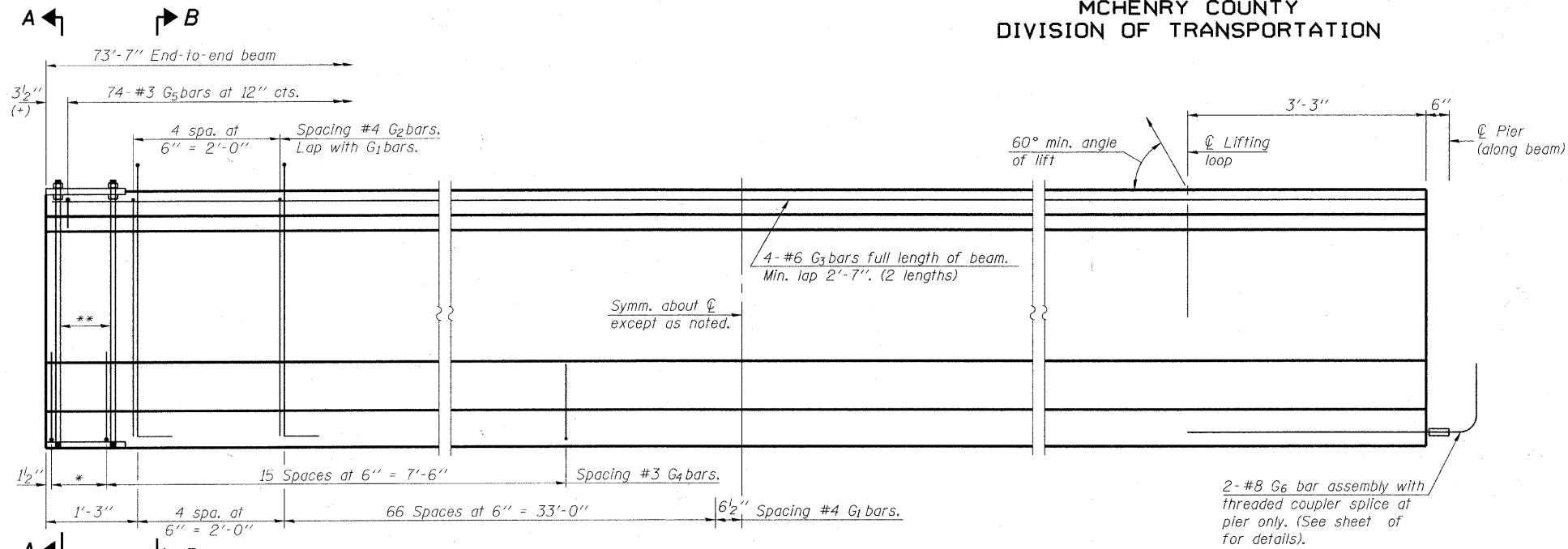


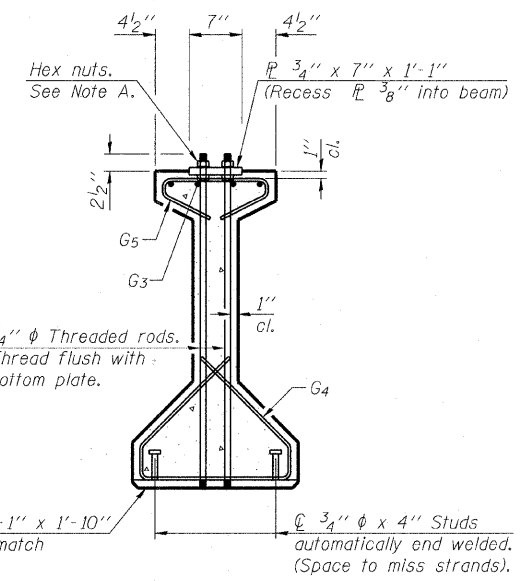
MCHENRY COUNTY
DIVISION OF TRANSPORTATION



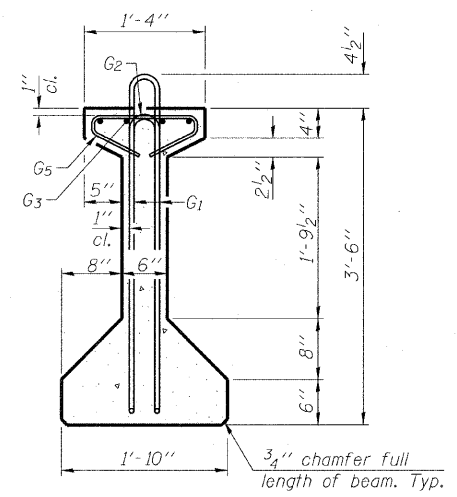
ELEVATION OF BEAM
(Showing reinforcement & dimensions)

*3 spaces at 3" = 9".
**4-3/4" ϕ threaded dowel rods at 3" cts., Each Face.

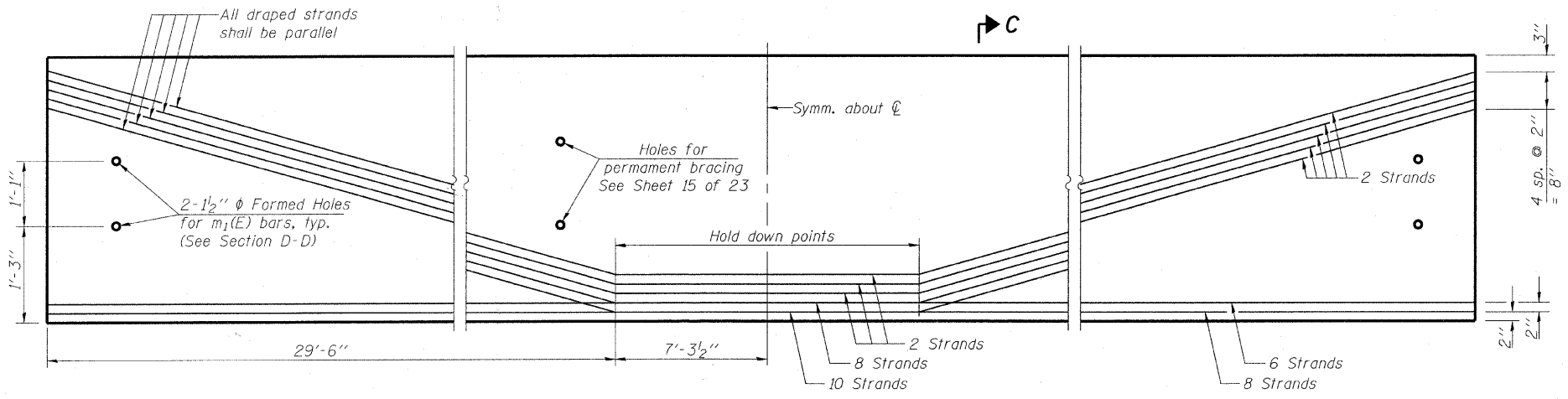
2-#8 G6 bar assembly with threaded coupler splice at pier only. (See sheet of for details).
Note A:
Hex nuts (top and bottom) with lock washers (top). Only tighten sufficiently to compress lock washers.



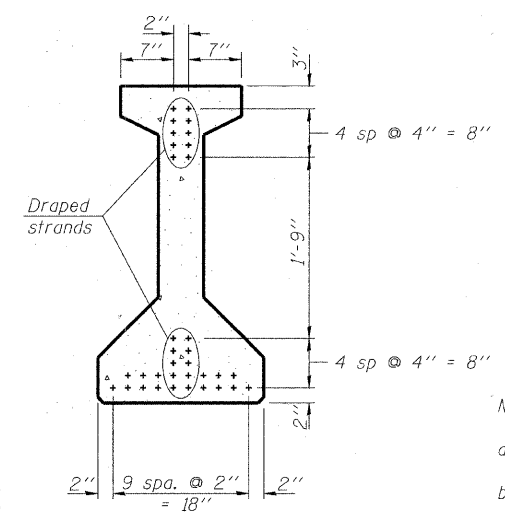
SECTION A-A



SECTION B-B



ELEVATION OF BEAM
(Showing prestressing steel)

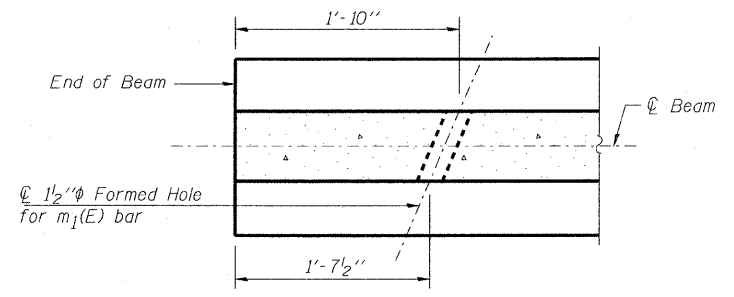


SECTION C-C

*****BAR LIST
ONE BEAM ONLY**

Bar	No.	Size	Length	Shape
G1	143	#4	8'-5"	∩
G2	10	#4	6'-8"	∩
G3	8	#6	38'-1"	—
G4	38	#3	4'-11"	∩
G5	74	#3	2'-6"	∩
G6	2	#8	6'-6"	∩

***For information only
Notes:
See sheet 17 of 23 for additional details and Bill of Material.
Required release strength, f'ci, shall be 6,000 psi.



SECTION D-D
Other end similar by rotation

DESIGNED	BLB
CHECKED	AS
DRAWN	BCD
CHECKED	BLB

**42" PPC I-BEAM
STRUCTURE NO. 056-3178**

SHEET NO. 16 23 SHEETS	F.A.S. RTE. 0034	SECTION 06-00320-02-BR	COUNTY MCHENRY	TOTAL SHEETS 65	SHEET NO. 41
	CONTRACT NO. 63536			JOB NO. C-191-140-11 ILLINOIS FED. AID PROJECT BRS-0034(107)	

COPYRIGHT © 2003 BY BAXTER & WOODMAN, INC.
 STATE OF ILLINOIS - PROFESSIONAL DESIGN FIRM
 5555 N. WILSON AVENUE, SUITE 200, CHICAGO, IL 60630
 TEL: (773) 226-2200 FAX: (773) 226-2201
 www.baxterandwoodman.com